

FEATURES



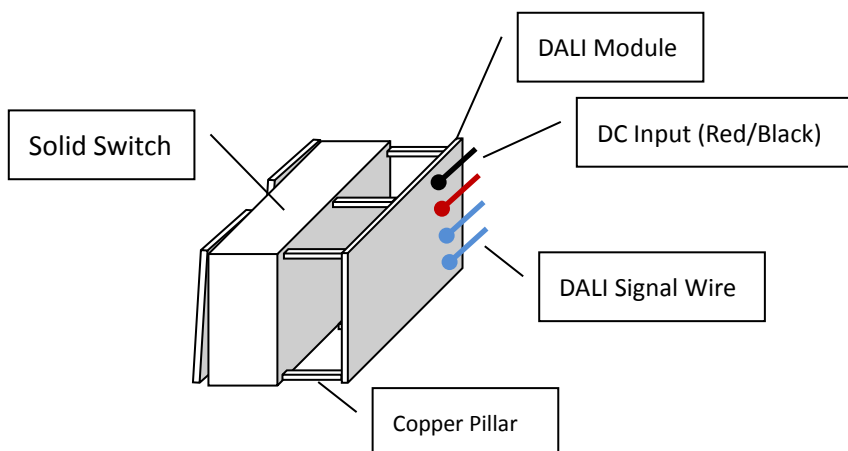
- DC 12~48V DC Input
- Modular Design (Compatible with Traditional Switch)
- DALI Digital Control Interface
- Direct Input Dimming Command or 103 Signal Event
- LED Indicator and Programmable Brightness
- Support Two or Multi-Switch Function
- Support Multi-Step Dimming Mode
- Comply with Global Safety Regulations
- Residential and Commercial Use

PRODUCT SPECIFICATIONS

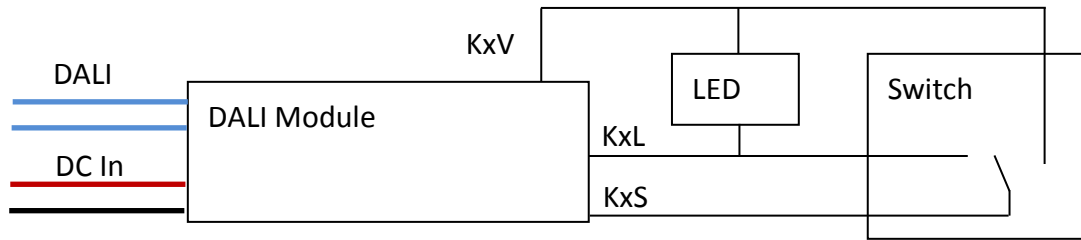
Model		DAL003N000NNN3-00G	DAL003N000NNN4-00G	DAL003N000NNN5-00G
Output (LED Indicator)	Voltage	5V		Built-in
	Max. Current	20mA		
	Min. Current	0A		
Input	Voltage	12~48V DC		
	Current	5~40mA		
	Standby Power	< 0.8W		
	Button Number	1~3		
	Button Signal	3 wires with LED backlight	Built-in	
	Button Lifetime	100,000 times		
Environment	Working Temp.	-30 ~ +40°C		
	Working Humidity	20 ~ 95%		
	Storage	-40 ~ 80°C, 10 ~ 95%		
Control Interface	DALI Interface	DALI IEC 62386-103		

Wiring

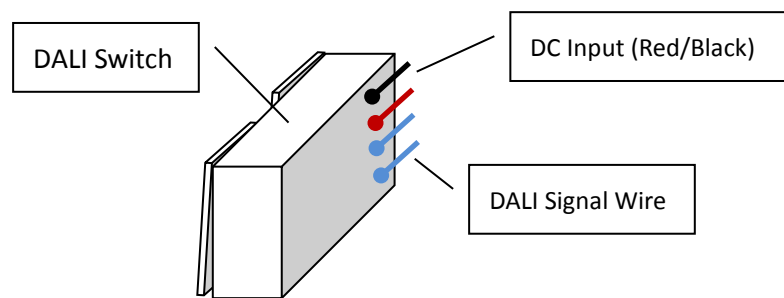
Type A;



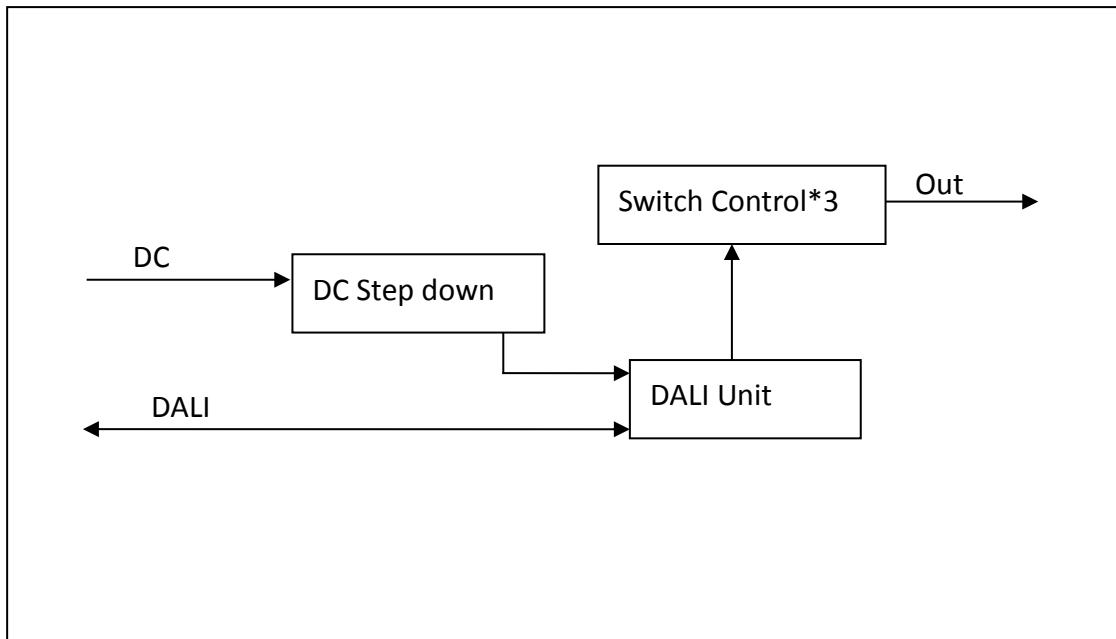
Type B;



Type C;



Functional Block



Dimensions

* REFERENCE: www.linkcom.com.tw