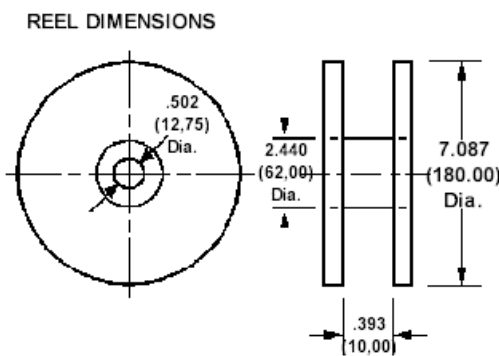
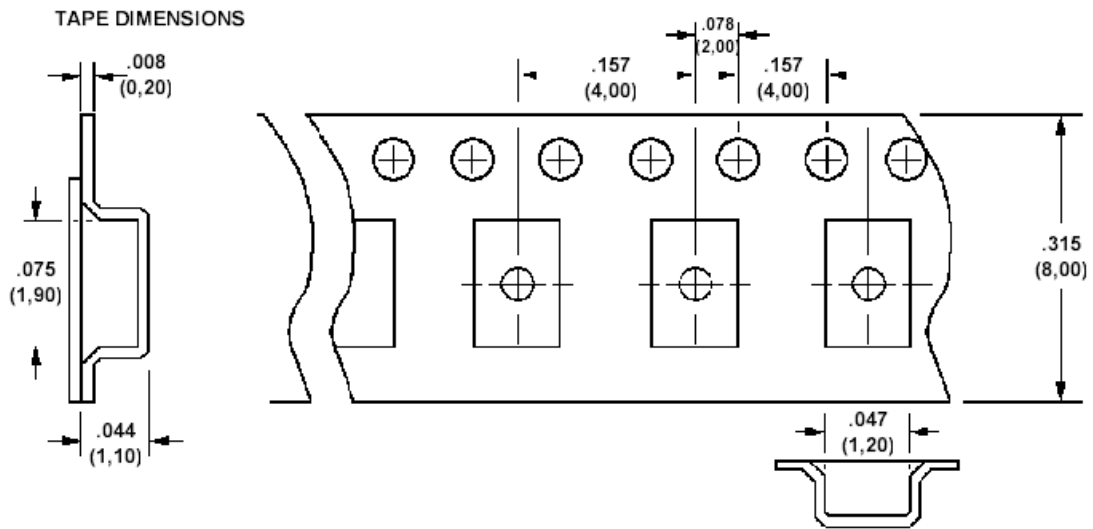
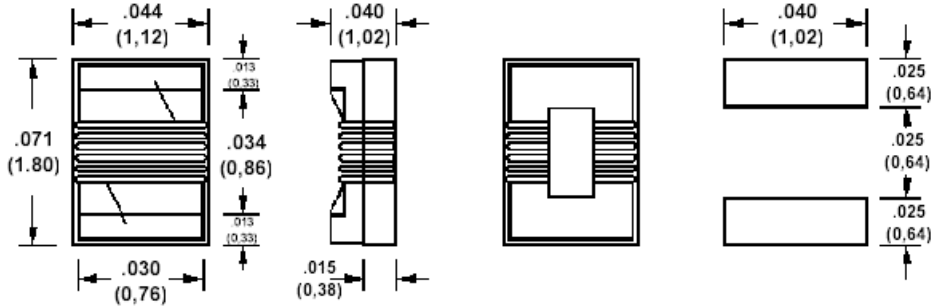


## 555-0603 Chip inductors, wire wound, surface mount, 0603 package, 1.8nH thru 120nH



### How to order code

**555-0603-XXX-Y-ZZ**

Basic Part No XXX = Inductance identifier, Y = tolerance, ZZ = packaging

| Basic Part Number (XXX) | L (n H) | Q (mi n) | Freq (MHz) | 900 MHz Typ. |       | 1.7 GHz Typ. |       | SRF (min) (MHz) | RDC (max) (W) | IDC (max) (mA) |     |
|-------------------------|---------|----------|------------|--------------|-------|--------------|-------|-----------------|---------------|----------------|-----|
|                         |         |          |            | L            | Q     | L            | Q     |                 |               |                |     |
| 555-0603                | -1N8    | 1.8      | 16         | 250          | 1.63  | 35           | 1.66  | 50              | >6000         | 0.045          | 700 |
|                         | -3N9    | 3.9      | 22         | 250          | 3.95  | 49           | 3.96  | 67              | >6000         | 0.080          | 700 |
|                         | -6N8    | 6.8      | 27         | 250          | 6.75  | 60           | 7.10  | 81              | 5800          | 0.110          | 700 |
|                         | -10N    | 10       | 31         | 250          | 10.00 | 66           | 10.60 | 83              | 4800          | 0.130          | 700 |
|                         | -12N    | 12       | 35         | 250          | 12.30 | 72           | 13.50 | 83              | 4000          | 0.130          | 700 |
|                         | -15N    | 15       | 35         | 250          | 15.40 | 64           | 16.80 | 89              | 4000          | 0.170          | 700 |
|                         | -18N    | 18       | 35         | 250          | 18.70 | 70           | 21.40 | 69              | 3100          | 0.170          | 700 |
|                         | -22N    | 22       | 38         | 250          | 22.80 | 73           | 26.10 | 71              | 3000          | 0.190          | 700 |
|                         | -27N    | 27       | 40         | 250          | 29.20 | 74           | 34.60 | 65              | 2800          | 0.220          | 600 |
|                         | -33N    | 33       | 40         | 250          | 36.00 | 67           | 49.50 | 42              | 2300          | 0.220          | 600 |
|                         | -39N    | 39       | 40         | 250          | 42.70 | 60           | 60.20 | 40              | 2200          | 0.250          | 600 |
|                         | -47N    | 47       | 38         | 200          | 52.30 | 62           | 77.20 | 35              | 2000          | 0.280          | 600 |
|                         | -56N    | 56       | 38         | 200          | 62.50 | 56           | 97.00 | 26              | 1900          | 0.310          | 600 |
|                         | -68N    | 68       | 37         | 200          | 80.50 | 54           | 168   | 21              | 1700          | 0.340          | 600 |
|                         | -72N    | 72       | 34         | 150          | 82.00 | 53           | 135   | 20              | 1700          | 0.490          | 400 |
| -82N                    | 82      | 34       | 150        | 96.20        | 54    | 177          | 21    | 1700            | 0.540         | 400            |     |
| -R10                    | 100     | 34       | 150        | 124          | 49    | -            | -     | 1400            | 0.580         | 400            |     |
| -R11                    | 110     | 32       | 150        | 138          | 43    | -            | -     | 1350            | 0.610         | 300            |     |
| -R12                    | 120     | 32       | 150        | 166          | 39    | -            | -     | 1300            | 0.650         | 300            |     |

| TOLERANCE (Y)      |                      |               |
|--------------------|----------------------|---------------|
| Tolerance Code (Y) | Inductance Tolerance | Notes         |
| G                  | ± 2%                 | Made to order |
| J                  | ± 5%                 |               |
| K                  | ± 10%                | Standard      |
| M                  | ± 20%                | Made to order |

| PACKAGING (ZZ) |                  |
|----------------|------------------|
| -00            | Loose Piece      |
| -36            | Taped and Reeled |

| MATERIAL SPECIFICATIONS |  |
|-------------------------|--|
| Base Material           | Ceramic  |
| Metallised pad          | Super adhesion Molybdenum/Manganese with Gold over plating |
| Operating Temperature   | -55°C to 125°C   |
| Storage Temperature     | -55°C to 100°C   |