

REVISION

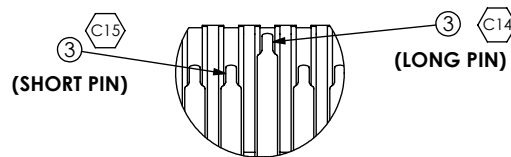
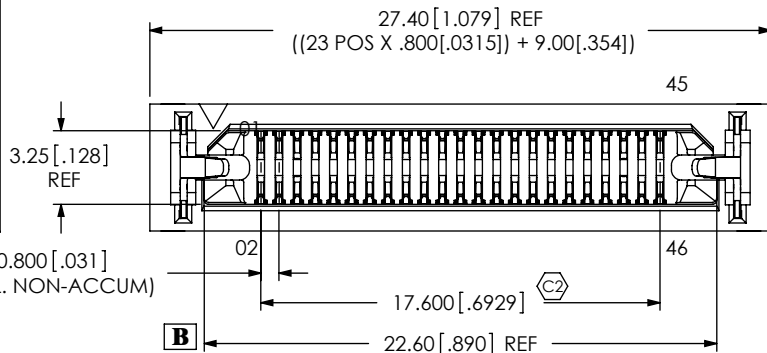
A	DU	D FRALEY
9/25/2007	ECN-80802	
RELEASE FOR PRODUCTION		

B	JB	D FRALEY
10/9/2008	ECN-98691	

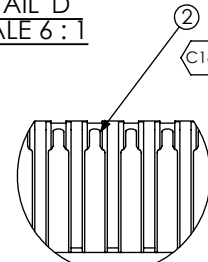
SHT 1, BOM CHG WT-29-01-F TO WT-29-07-F, TOP VIEW; DEL C13 DIM 22.50, ADD DIM 22.60 REF; FRONT VIEW; DEL DIM 22.60 REF, ADD DIM C13 22.50.

NOTES:

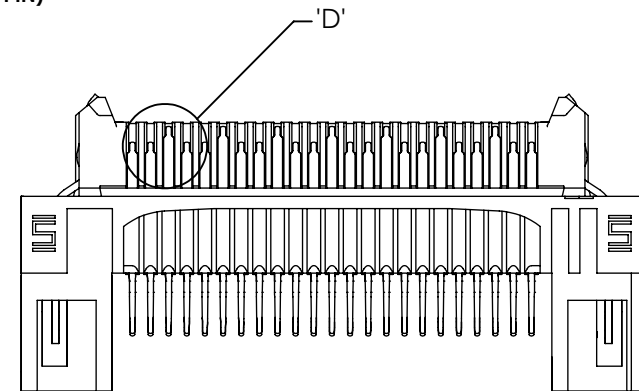
1. CONTACT CONFIGURATION NOT AVAILABLE AS STANDARD.
2. Ⓢ REPRESENTS A CRITICAL DIMENSION.
3. MAXIMUM BURR ALLOWANCE: .038[.0015].
4. MINIMUM PUSHOUT FORCE: 2.22N [.5 LB].
5. PARTS TO BE PACKAGED IN TRAYS.



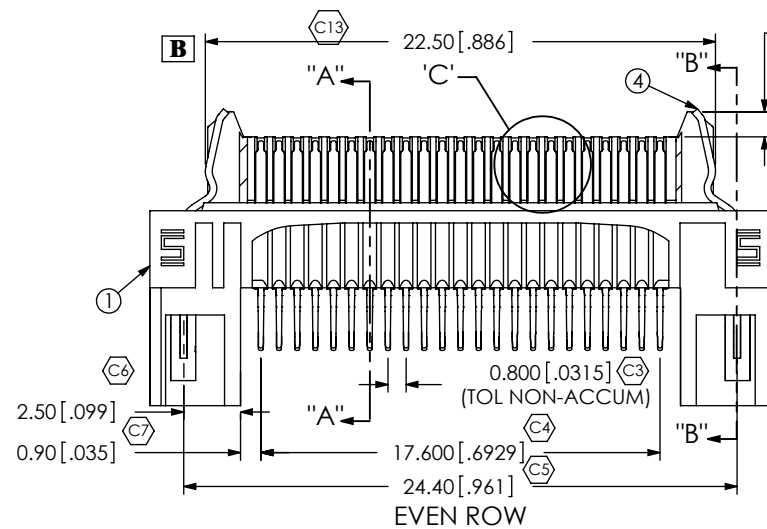
DETAIL 'D'
SCALE 6:1



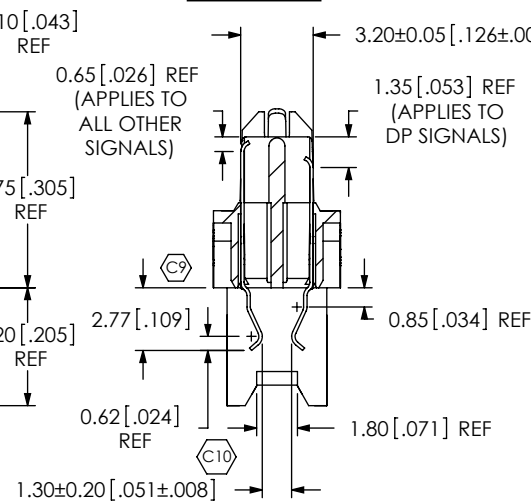
DETAIL 'C'
SCALE 6:1



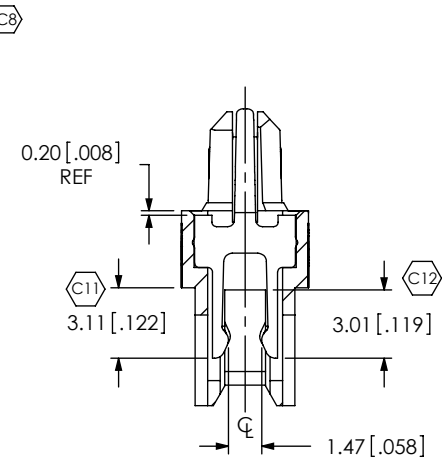
ODD ROW (DP SIDE, HOT PLUG SIDE)



EVEN ROW



SECTION "A"- "A"



SECTION "B"- "B"

DATE: _____

COMPANY: _____

CUSTOMER SIGNATURE: _____

PRINTED NAME: _____

PHONE NO.: _____

FAX NO.: _____

ACCEPTANCE OF DRAWING
 ACCEPTED WITH DEVIATIONS LISTED

ITEM NO.	PART NUMBER	QUANTITY	MATERIAL
1	ERM8-023-D-EM2	1.0000	VECTRA E130i, COLOR:BLACK
2	T-1M47-01-S	23.0000	PHOS BRONZE, 521 HT
3	T-1M47-03-S	23.0000	PHOS BRONZE, 521 HT
4	WT-29-07-F	2.0000	BeCu #25, 1/2 HT
5	TY-ERM8030-23-EM2-L	1.0000	BLACK HIPS

UNLESS OTHERWISE SPECIFIED, DIMENSIONS ARE IN INCHES.
 TOLERANCES ARE:
 DECIMALS ANGLES
 .X: ±.3[.01] 2°
 .XX: ±.13[.005]
 .XXX: ±.051[.0020]

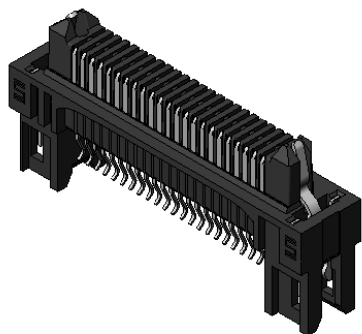
PROPRIETARY NOTE
 THIS DOCUMENT CONTAINS INFORMATION CONFIDENTIAL AND PROPRIETARY TO SAMTEC, INC. AND SHALL NOT BE REPRODUCED OR TRANSFERRED TO OTHER DOCUMENTS OR DISCLOSED TO OTHERS OR USED FOR ANY PURPOSE OTHER THAN THAT WHICH IT WAS OBTAINED WITHOUT THE EXPRESSED WRITTEN CONSENT OF SAMTEC, INC.



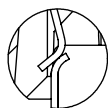
520 PARK EAST BLVD, NEW ALBANY, IN 47150
 PHONE: 812-944-6733 FAX: 812-948-5047
 e-Mail: info@SAMTEC.com code: 55322

DO NOT SCALE DRAWING SHEET SCALE: 3:1
 PLATING:
 CONTACT AREA: .000030 GOLD OVER .000050 NICKEL
 REMAINDER: .000200 REF TIN OVER .000050 NICKEL
 LATCHES: .000003 GOLD OVER .000050 NICKEL

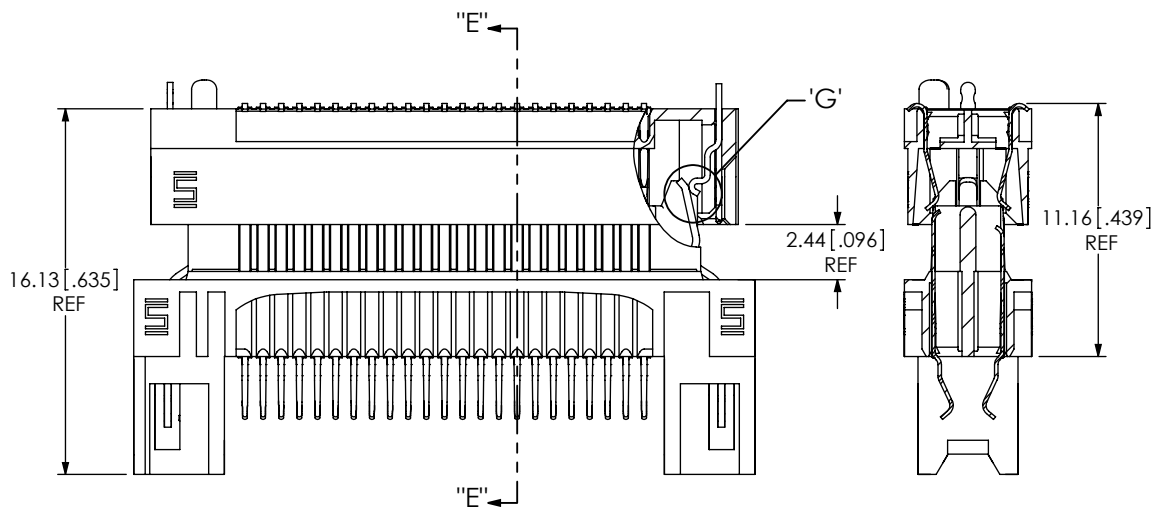
DESCRIPTION:	MODIFIED ERM8 ASSEMBLY
DWG. NO.	ASP-133811-02
BY: D UNDERWOOD 7/10/07	SHEET 1 OF 2



DETAIL 'G'
SCALE 6:1

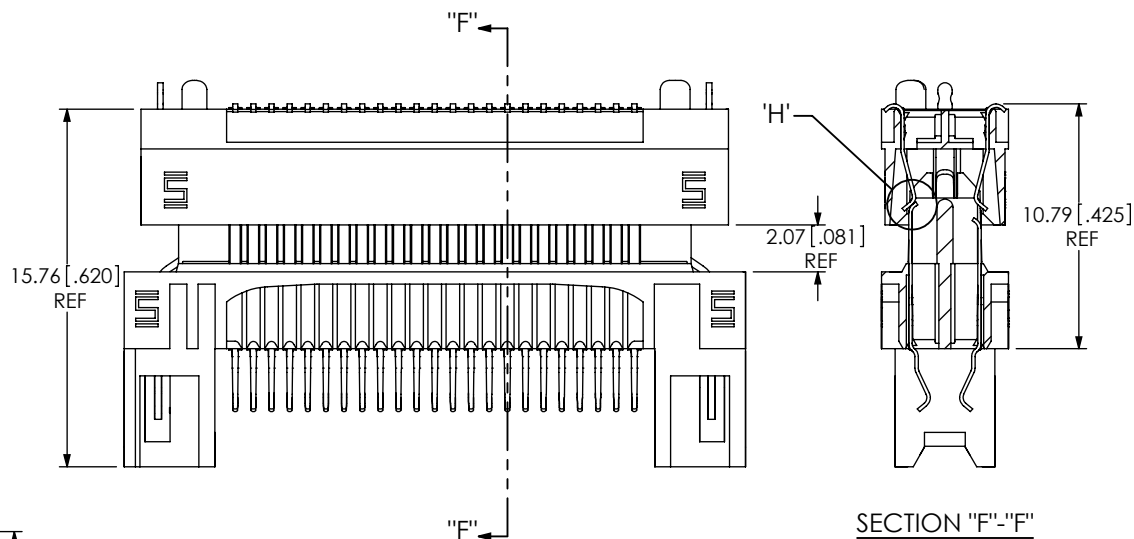


DETAIL 'H'
SCALE 6:1



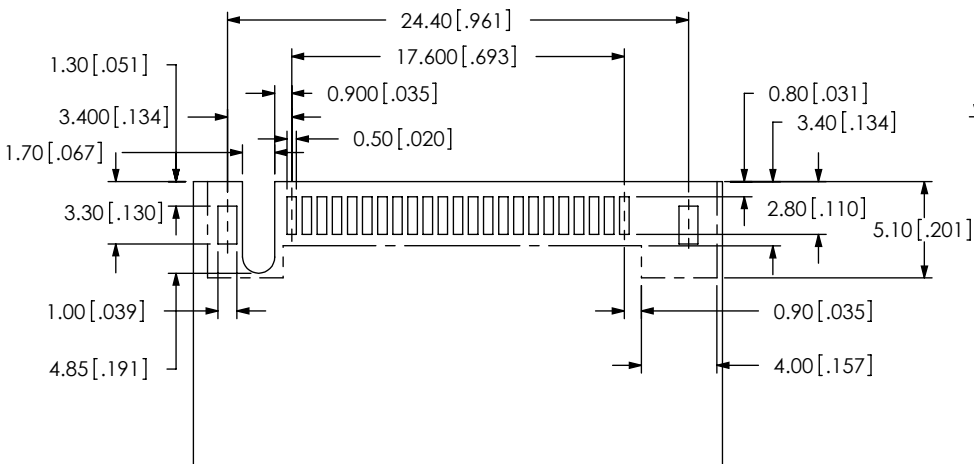
LATCH ENGAGING VIEW

SECTION "E"- "E"



PIN ENGAGING VIEW

SECTION "F"- "F"



RECOMMENDED PCB LAYOUT

PROPRIETARY NOTE

THIS DOCUMENT CONTAINS INFORMATION CONFIDENTIAL AND PROPRIETARY TO SAMTEC, INC. AND SHALL NOT BE REPRODUCED OR TRANSFERRED TO OTHER DOCUMENTS OR DISCLOSED TO OTHERS OR USED FOR ANY PURPOSE OTHER THAN THAT WHICH IT WAS OBTAINED WITHOUT THE EXPRESSED WRITTEN CONSENT OF SAMTEC, INC.



520 PARK EAST BLVD, NEW ALBANY, IN 47150
PHONE: 812-944-6733 FAX: 812-948-5047
e-Mail: info@SAMTEC.com code: 55322

SHEET SCALE: 3:1

DESCRIPTION: MODIFIED ERM8 ASSEMBLY

DWG. NO. ASP-133811-02