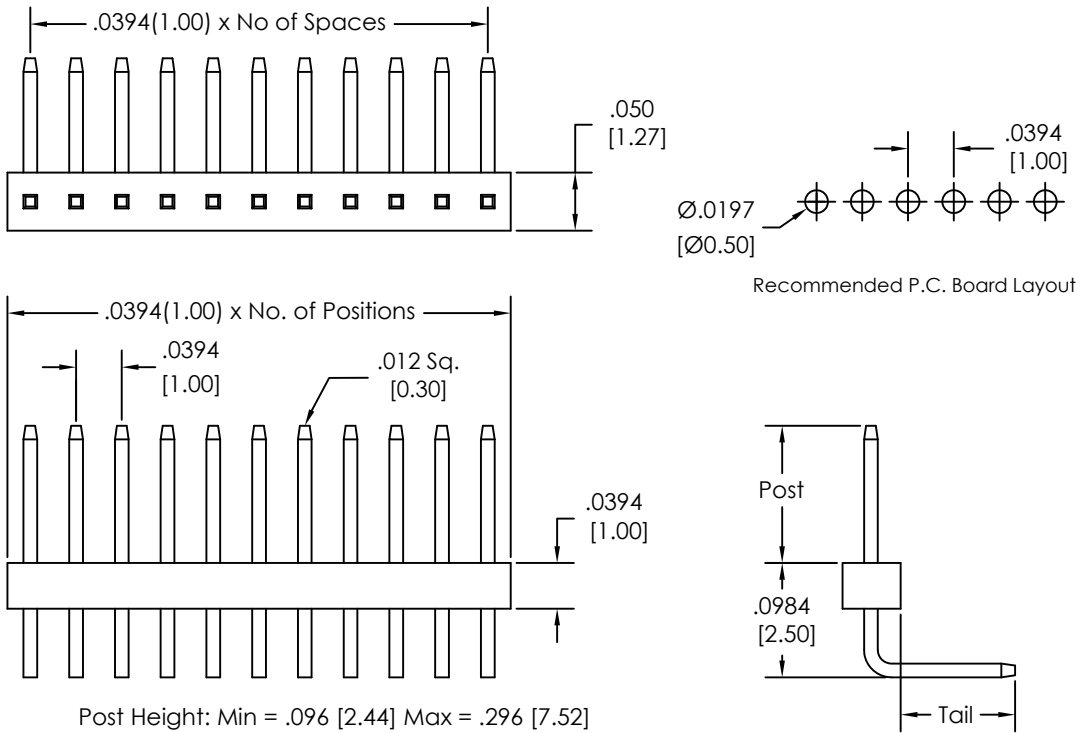


# Major League Electronics .0394 cl Terminal Strip Header - Right Angle



## Ordering Information

TSHCR-7  - S - 02 -  -  -  -  - LF

Pins Per Row  
02-40

Row Specification  
S = Single Row

Tail Length  
02 = .075 [1.90]

Desired Post Height  
Please specify  
e.g. .200[5.08] = 200

Lead Free

Packing Information  
B = Bulk  
TB = Tube  
*If left blank, packaging at MLE's discretion  
Pad may be metal, mylar or plastic*

Polarized Position  
Leave blank if not needed  
If required, specify empty pin position,  
e.g. 012 for Pin 12

### Specification

Plating Options	
- Gold Flash over entire Pin	F
- Matte Tin over entire pin	T

### Electrical:

Rated Current: 1.0AMP

Contact Resistance: 20mΩ max

Withstand Voltage: 300V AC

Insulation Resistance: 1000MΩ min

Operation Temperature: -40°C to +105°C

Max. Process Temperature

Wave Solder: Solder Temp 260 ±5°C  
Immersion period: 5 ±5 secs.

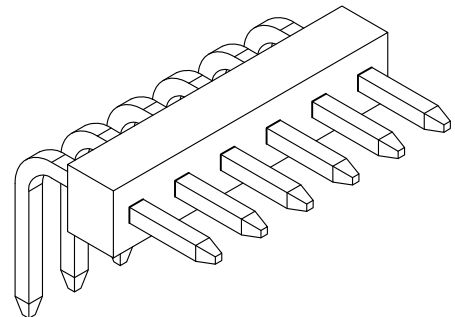
Reflow Solder: Pre-Heat Temp: 100~150°C for 60 secs max.  
Temperature: min. 210°C for 30 secs max.  
Peak Temperature: 260 ±5°C, 10 ±5 secs.

Manual Solder: 245 ±3°C 3~5 secs.

### Material:

Contact Material: Phosphor Bronze

Insulator Material: LCP, UL94V-0



Mates with:  
LSMSS-7

Products cut to specific sizes are uncancellable/nonreturnable

Parts are subject to change without notice

TSHCR-7-S SERIES

.0394 cl Dual Row - Right Angle  
Terminal Strip Header

18 NOV 10

Scale  
NTS

UNLESS OTHERWISE SPECIFIED  
DIMENSIONS IN INCHES [MM]  
TOLERANCES ARE:

ONE PLACE DECIMALS ±.010  
TWO PLACE DECIMALS ±.006  
THREE PLACE DECIMALS ±.004  
ANGLES: X, ±3.0° .X ±2.0°  
.XX ±1.0° .XXX ±0.5°



4235 Earnings Way, New Albany, Indiana, 47150, USA  
1-800-782-3486 (USA/Canada/Mexico)  
Tel: 812-944-7244  
Fax: 812-944-7268  
E-mail: mle@mlelectronics.com  
Web: www.mlelectronics.com

Edition  
1

Sheet  
1/1