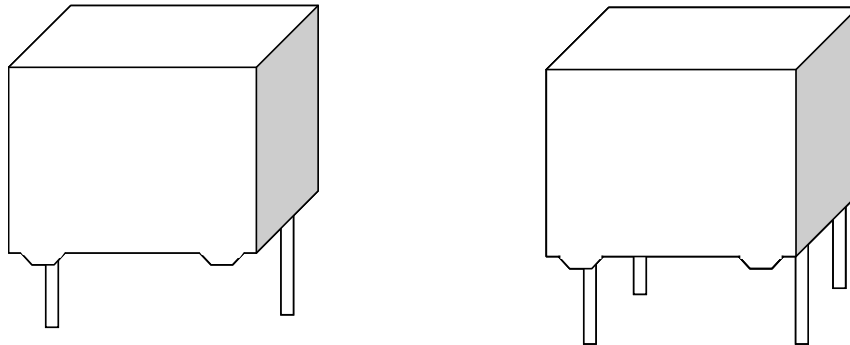


Metallized Polypropylene Film Capacitors (AC-filtering application)

P255
(PCPW 255)

DRAFT



QUICK REFERENCE DATA

Capacitance range	1 μ F to 60 μ F
Capacitance tolerance	$\pm 5\%$, $\pm 10\%$
Rated voltage (V_{Rac})	250, 300, 350, 400
Insulation resistance (IR)	> 10,000s after 1minute of electrification at 500V
Test voltage with terminals	1.5 x V_{Rdc} applied for 10s
IEC Climatic category	40/ 85 / 56
Max. operating temperature	105 °C
Life time expectancy	> 60.000 hours at V_R
Reference	IEC 60068 / IEC61071
Potting & Encapsulation material	Qualified in accordance with UL94V-0

FEATURES	APPLICATIONS
<ul style="list-style-type: none"> . Optimized AC voltage performance . High ripple current/frequency capability . Small dimensions . For PCB mounting 	<ul style="list-style-type: none"> . Output AC filtering for power converters UPS, solar inverters, motor drives

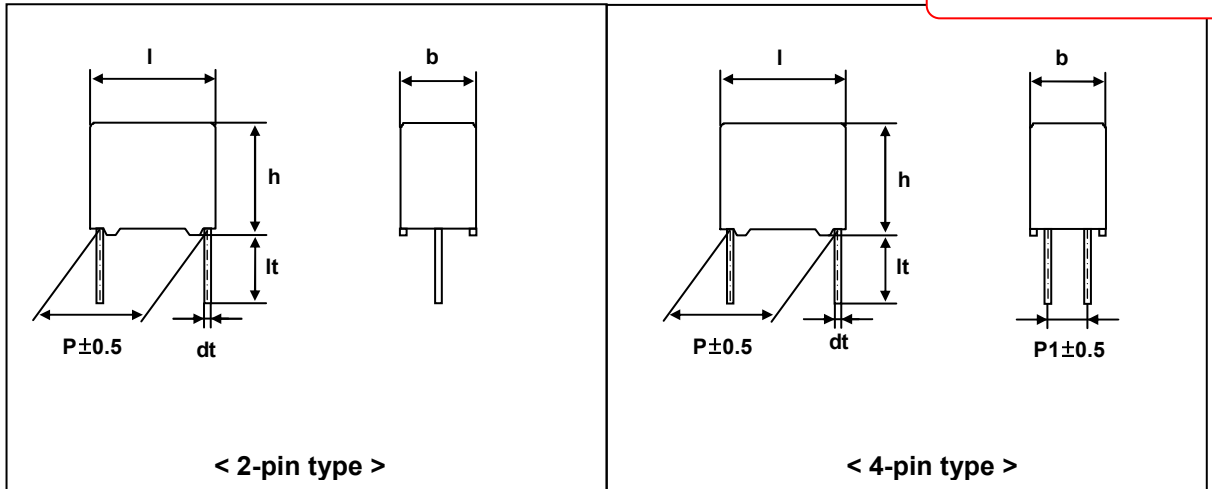
- Please refer to caution and warning at <http://www.pilkor.co.kr/download/Introductions.pdf> before using these products.

Metallized Polypropylene Film Capacitors (AC-filtering application)

**P255
(PCPW 255)**

DRAFT

Ordering Information



P	2	5	5	F	A	L	4	0	5	J	A	G	J
1				2		3		4		5		7	

1	
Series Name	
P255 (PCPW 255)	

2	
Code	Voltage
FA	250Vac
GA	300Vac
HA	350Vac
JA	400Vac

3	
Code	Original Pitch
L	27.5mm
Q	37.5mm
T	52.5mm

4	
Code	Capacitance (example)
335	3.3uF
336	33uF

5	
Code	Capacitance Tolerance
J	± 5 %
K	± 10 %

6	
Code	Revision
A	Standard

7				Product(lmax)		
Code	Packing Method	Lead length	Lead Type	31.0	42.0	57.0
				Pitch(P)		
GJ	Arrange Packing	Lt=5.0±1.0mm	2-pin	27.5	37.5	52.5
LJ	Loose in box	Lt=5.0±1.0mm	2-pin	27.5	-	-
LK	Loose in box	Lt=25.0±2.0mm	2-pin	27.5	-	-
PJ	Arrange Packing	Lt=5.0±1.0mm	4-pin	27.5	37.5	52.5
TK	Loose in box	Lt=25.0±2.0mm	4-pin	27.5	-	-

Metallized Polypropylene Film Capacitors (AC-filtering application)

P255
(PCPW 255)

DRAFT

Packing Information

SMALLEST PACKING QUANTITIES (SPQ)	Arrange Packing	Loose in box
	It = 5.0 ± 1.0mm	It = 5.0 ± 1.0mm
11.0 x 23.0 x 31.0	200	500
13.0 x 23.0 x 31.0	100	250
15.0 x 25.0 x 31.0	100	250
18.0 x 28.0 x 31.0	100	200
21.0 x 31.0 x 31.0	60	150
18.0 x 33.0 x 42.0	100	-
20.0 x 35.0 x 42.0	90	-
24.0 x 39.0 x 42.0	75	-
28.0 x 43.0 x 42.0	65	-
30.0 x 45.0 x 42.0	60	-
30.0 x 45.0 x 57.0	40	-
35.0 x 50.0 x 57.0	40	-

Metallized Polypropylene Film Capacitors (AC-filtering application)

P255 (PCPW 255)

DRAFT

 $V_{Rac} = 250Vac$ $V_{Rdc} = 630Vdc$

Cap (μF)	b x h x l (mm)	P1 \pm 0.5 (mm)	dv/dt (V/us)	Ipk (A)	I _{rms} ⁽¹⁾ (A)		ESR ⁽²⁾ (m Ω)		Code	
									P255	
		4-Pin	Tol. \pm 10% / It = 5 \pm 1 mm		2-pin	4-pin				
Pitch = 27.5 \pm 0.5 mm									dt = 0.8	dt = 1.2
2.8	11.0 x 21.0 x 31.0	-	27	75	*	-	*	-	FAL285KALJ	-
4.0	13.0 x 23.0 x 31.0	-	27	108	*	-	*	-	FAL405KALJ	-
5.0	15.0 x 25.0 x 31.0	-	27	135	*	-	*	-	FAL505KALJ	-
7.5	18.0 x 28.0 x 31.0	-	27	202	*	-	*	-	FAL755KALJ	-
10.0	21.0 x 31.0 x 31.0	-	27	270	*	-	*	-	FAL106KALJ	-
Pitch = 37.5 \pm 0.5 mm									dt = 1.0	dt = 1.2
12	18.0 X 33.0 X 42.0	-	19	228	*	-	*	-	FAQ126KAGJ	-
15	20.0 X 35.0 X 42.0	10.2	19	285	*	-	*	-	FAQ156KAGJ	FAQ156KAPJ
20	24.0 X 39.0 X 42.0	10.2	19	380	-	*	-	*	-	FAQ206KAPJ
25	28.0 X 43.0 X 42.0	10.2	19	475	*	*	*	*	FAQ256KAGJ	FAQ256KAPJ
28	28.0 X 43.0 X 42.0	10.2	19	532	-	*	-	*	-	FAQ286KAPJ
30	30.0 X 45.0 X 42.0	20.3	19	570	-	*	-	*	-	FAQ306KAPJ
Pitch = 52.5 \pm 0.5 mm									dt = 1.2	dt = 1.2
40	30.0 X 45.0 X 57.0	20.3	12	480	-	*	-	*	-	FAT406JAPJ
60	35.0 X 50.0 X 57.5	20.3	12	720	-	*	-	*	-	FAT606JAPJ

* In Progress

⁽¹⁾ Max. at 10KHz, +70°C⁽²⁾ Typical values at 10KHz

Metallized Polypropylene Film Capacitors (AC-filtering application)

P255 (PCPW 255)

DRAFT

 $V_{Rac} = 300Vac$ $V_{Rdc} = 700Vdc$

Cap (μF)	b x h x l (mm)	P1 \pm 0.5 (mm)	dv/dt (V/us)	l _{pk} (A)	I _{rms} ⁽¹⁾ (A)		ESR ⁽²⁾ (m Ω)		Code	
									P255	
		4-Pin				2-pin	4-pin	2-pin	4-pin	Tol. \pm 10% / lt = 5 \pm 1 mm
Pitch = 27.5 \pm 0.5 mm									dt = 0.8	dt = 1.2
2.2	11.0 x 21.0 x 31.0	-	31	62	*	-	*	-	GAL225KALJ	-
3.0	13.0 x 23.0 x 31.0	-	31	77	*	-	*	-	GAL305KALJ	-
4.0	15.0 x 25.0 x 31.0	-	31	108	*	-	*	-	GAL405KALJ	-
6.0	18.0 x 28.0 x 31.0	-	31	155	*	-	*	-	GAL605KALJ	-
8.0	21.0 x 31.0 x 31.0	-	31	232	*	-	*	-	GAL805KALJ	-
Pitch = 37.5 \pm 0.5 mm									dt = 1.0	dt = 1.2
12.0	18.0 X 33.0 X 42.0	-	21	199	*	-	*	-	GAQ126KAGJ	-
14.5	20.0 X 35.0 X 42.0	10.2	21	231	*	*	*	*	GAQ146KAGJ	GAQ146KAPJ
20.0	24.0 X 39.0 X 42.0	10.2	21	336	-	*	-	*	-	GAQ206KAPJ
26.0	28.0 X 43.0 X 42.0	10.2	21	420	-	*	-	*	-	GAQ266KAPJ
30.0	30.0 X 45.0 X 42.0	20.3	21	504	-	*	-	*	-	GAQ306KAPJ
Pitch = 52.5 \pm 0.5 mm									dt = 1.2	dt = 1.2
40.0	30.0 X 45.0 X 57.0	20.3	14	420	-	*	-	*	-	GAT406KAPJ
55.0	35.0 X 50.0 X 57.5	20.3	14	630	-	*	-	*	-	GAT556KAPJ

* In Progress

⁽¹⁾ Max. at 10KHz, +70°C⁽²⁾ Typical values at 10KHz

Metallized Polypropylene Film Capacitors (AC-filtering application)

P255 (PCPW 255)

DRAFT

 $V_{Rac} = 350Vac$ $V_{Rdc} = 875Vdc$

Cap (μF)	b x h x l (mm)	P1 \pm 0.5 (mm)	dv/dt (V/us)	Ipk (A)	I _{rms} ⁽¹⁾ (A)		ESR ⁽²⁾ (m Ω)		Code	
									P255	
		4-Pin	Tol. \pm 10% / lt = 5 \pm 1 mm		2-pin	4-pin				
Pitch = 27.5 \pm 0.5 mm									dt = 0.8	dt = 1.2
1.4	11.0 x 19.0 x 31.0	-	39	58	*	-	*	-	HAL145KALJ	-
2.0	13.0 x 23.0 x 31.0	-	39	85	*	-	*	-	HAL205KALJ	-
2.5	15.0 x 25.0 x 31.0	-	39	117	*	-	*	-	HAL255KALJ	-
3.5	18.0 x 28.0 x 31.0	-	39	156	*	-	*	-	HAL355KALJ	-
5.5	21.0 x 31.0 x 31.0	-	39	214	*	-	*	-	HAL555KALJ	-
Pitch = 37.5 \pm 0.5 mm									dt = 1.0	dt = 1.2
7.5	18.0 X 33.0 X 42.0	-	26	195	*	-	*	-	HAQ755KAGJ	-
9.0	20.0 X 35.0 X 42.0	10.2	26	234	*	*	*	*	HAQ905KAGJ	HAQ905KAPJ
13.0	24.0 X 39.0 X 42.0	10.2	26	338	-	*	-	*	-	HAQ136KAPJ
17.0	28.0 X 43.0 X 42.0	10.2	26	442	-	*	-	*	-	HAQ176KAPJ
20.0	30.0 X 45.0 X 42.0	20.3	26	507	-	*	-	*	-	HAQ206KAPJ
Pitch = 52.5 \pm 0.5 mm									dt = 1.2	dt = 1.2
25.0	30.0 X 45.0 X 57.5	20.3	18	450	-	*	-	*	-	HAT256KAPJ
30.0	30.0 X 45.0 X 57.5	20.3	18	540	-	*	-	*	-	HAT306KAPJ
36.0	35.0 X 50.0 X 57.5	20.3	18	630	-	*	-	*	-	HAT366KAPJ

* In Progress

⁽¹⁾ Max. at 10KHz, +70°C⁽²⁾ Typical values at 10KHz

Metallized Polypropylene Film Capacitors (AC-filtering application)

P255 (PCPW 255)

DRAFT

 $V_{Rac} = 400Vac$ $V_{Rdc} = 1050Vdc$

Cap (μF)	b x h x l (mm)	P1 \pm 0.5 (mm)	dv/dt (V/us)	l _{pk} (A)	I _{rms} ⁽¹⁾ (A)		ESR ⁽²⁾ (m Ω)		Code	
					2-pin	4-pin	2-pin	4-pin	P255	
		4-Pin	Tol. \pm 10% / lt = 5 \pm 1 mm							2-pin
Pitch = 27.5 \pm 0.5 mm									dt = 0.8	dt = 1.2
1.0	11.0 x 19.0 x 31.0	-	47	47	*	-	-	-	JAL105KALJ	-
1.5	13.0 x 23.0 x 31.0	-	47	70	*	-	-	-	JAL155KALJ	-
1.8	15.0 x 25.0 x 31.0	-	47	94	*	-	-	-	JAL185KALJ	-
2.5	18.0 x 28.0 x 31.0	-	47	131	*	-	-	-	JAL255KALJ	-
3.5	21.0 x 31.0 x 31.0	-	47	188	*	-	-	-	JAL355KALJ	-
Pitch = 37.5 \pm 0.5 mm									dt = 1.0	dt = 1.2
5	18.0 X 33.0 X 42.0	-	32	160	*	-	*	-	JAQ505KAGJ	-
6.5	20.0 X 35.0 X 42.0	10.2	32	208	*	*	*	*	JAQ655KAGJ	JAQ655KAPJ
9	24.0 X 39.0 X 42.0	10.2	32	288	-	*	-	*	-	JAQ905KAPJ
11	28.0 X 43.0 X 42.0	10.2	32	352	-	*	-	*	-	JAQ116KAPJ
13	30.0 X 45.0 X 42.0	20.3	32	416	-	*	-	*	-	JAQ136KAPJ
Pitch = 52.5 \pm 0.5 mm									dt = 1.2	dt = 1.2
18	30.0 X 45.0 X 57.5	20.3	21	378	-	*	-	*	-	JAT186KAPJ
25	35.0 X 50.0 X 57.5	20.3	21	525	-	*	-	*	-	JAT256KAPJ

* In Progress

⁽¹⁾ Max. at 10KHz, +70°C⁽²⁾ Typical values at 10KHz

CHARACTERISTICS

DRAFT

● Test Voltage

- . Cut off current 10mA (rise time \leq 1000V/sec.)
- . Test Voltage (between terminations) : $1.5 \times V_R$ applied for 10s

● Capacitance

- . Capacitance : Within specified tolerance range when sine wave AC is applied at $1\text{kHz} \pm 200\text{Hz}$ and max. 5Vrms

● Insulation Resistance

The insulation resistance is measured after a voltage has been applied at 500V for 1min. ± 5 sec.

$$RC (\Omega \cdot F) > 10,000 \text{ s}$$

(R = Insulation resistance between the terminations[Ω], C = Capacitance[Farad])

PRODUCT MARKING

Capacitors are marked on the top or on the top and one side with the following information :

- . Rated capacitance code in accordance with IEC 60062
- . Tolerance on rated capacitance : J : $\pm 5\%$ K : $\pm 10\%$
- . Rated (AC) Voltage (e.g. 250 V~)
- . Code for dielectric material (MKP)
- . Manufacturer's type designation (PCPW 255 or 255)
- . Manufacturer's name (PILKOR)

Example of marking

14u	K	350V~	PILKOR
PCPW 255	MKP	WK....	

Marking on the top

or

14u K 350V~
255 MKP
PILKOR

Marking on the top