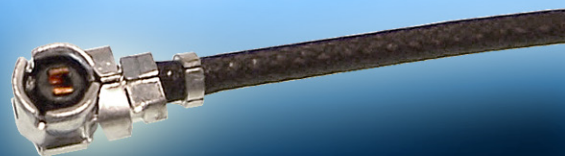
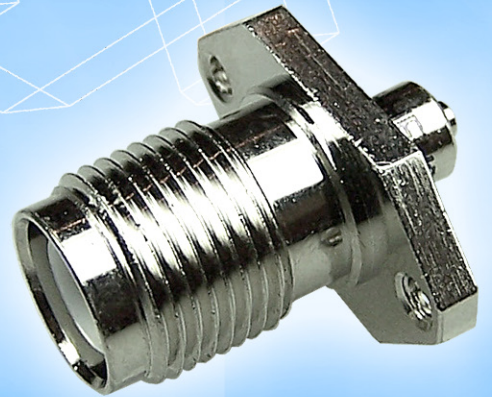
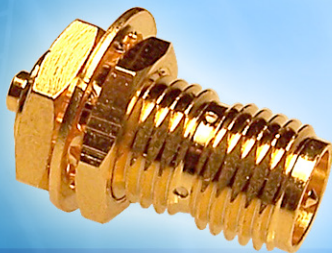
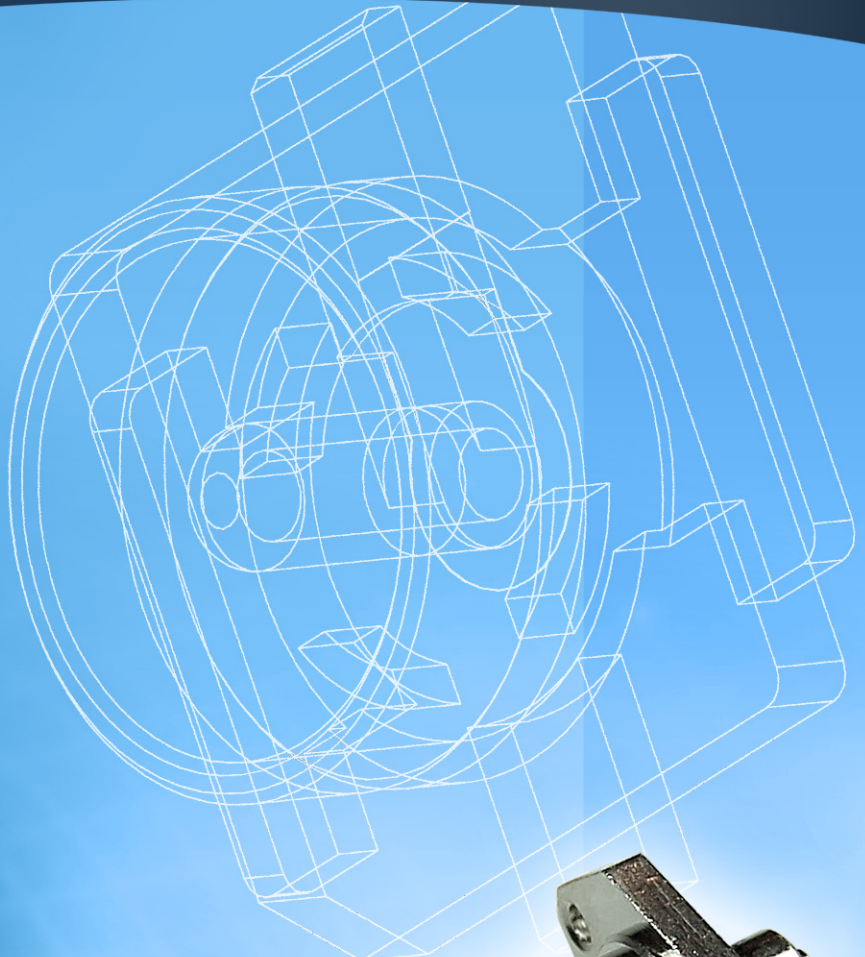


AMC



AMC Connectors

AMC Solutions

Description

Amphenol RF manufactures a family of Amphenol Micro Coaxial (AMC) connectors and cable assemblies for use in applications with 50 Ω impedance requirements. AMC connectors are low profile (2.5 mm off the board) and offer an extremely small board footprint (3mm x 3mm).

Features/Benefits

- Easy snap-on/off mating
- Ultra low-profile (2.5mm mating height)
- Small foot print (3mm x 3mm)
- 100% Compatible with Hirose U.FI series
- Right angle plugs are pre-installed on 1.13mm, 1.32 mm or 1.37 mm coaxial cable and tested prior to shipment.

Applications

- Wireless Internet (WiFi, WiMax, EvDO/EvDV Solutions)
- Wireless Infrastructure (Cellular Base Stations)
- RFID
- Bluetooth
- Inventory/Barcode Scanners
- Handheld Devices

AMC Specifications

Electrical

Impedance	50 Ω
Frequency range	DC - 6 GHz
VSWR	1.3 max. @ DC - 3 GHz 1.4 max. @ 3 - 6 GHz
Contact resistance	center contact: ≤ 20 mΩ outer contact: ≤ 10 mΩ

Mechanical

Mating	Snap-on coupling
Attachment method (inner / outer)	n/a
Center conductor cable affixment	n/a
Center contact retention force	0.15 N
Durability (matings)	30 cycles minimum

Environmental

Temperature range	-40°C to +90°C
-------------------	----------------

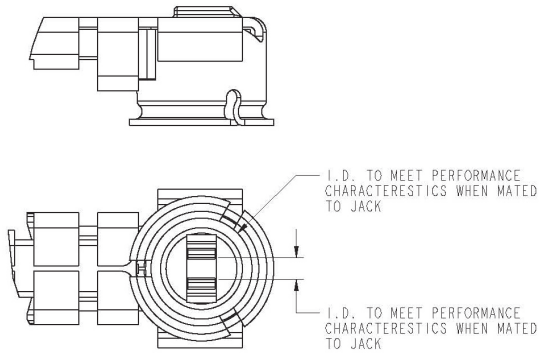
Material

Body and outer contacts	Phosphor bronze, silver plated 0.08u min.
Male contact	Brass, gold plated 0.2u min.
Female contact	Phosphor bronze, gold plated 0.2u min.
Insulator	PBT or LCP
Cable jacket and dielectric	FEP

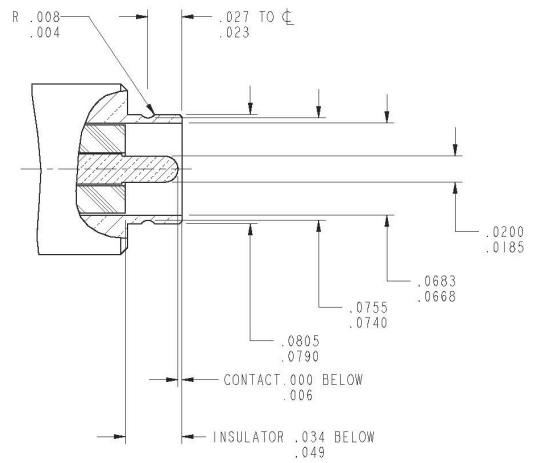
Custom Right Angle Plug Jumpers also available! For your convenience, please use the numbering system below to create your own part number:

A-1PAVWWW-XXXYZ	XXX: Cable length in mm
A: Series Name (A=AMC)	Y: Cable color:
1PA: Plug	• G – gray
V: Connector Orientation	• B – black
• (dash) – Both the Same Direction	• W – white
• C – 90 deg. Clockwise Offset	Z: Number of terminated ends:
• F – 180 deg. Offset	• 1
• R – 270 deg. Offset	• 2
WWW: Cable diameter (OD)	
• 113 – 1.13mm	
• 132 – 1.32mm (double shielded)	
• 137 – 1.37mm	

Plug



Jack



Cable Plugs

Cable Group	Part Number	Plating			Cable Length (mm)	Color
		Body	Contact	Insulator		
P2	A-1PA-113-300B2	Silver	Gold	PBT	300	Black
P2	A-1PA-113-100G2	Silver	Gold	PBT	100	Gray
P2	A-1PA-113-125W2	Silver	Gold	PBT	125	White
P2	A-1PA-113-150B2	Silver	Gold	PBT	150	Black
P2	A-1PA-113-180B2	Silver	Gold	PBT	180	Black
P3	A-1PA-132-100B2	Silver	Gold	PBT	100	Black
P3	A-1PA-132-125G2	Silver	Gold	PBT	125	Gray
P3	A-1PA-132-150W2	Silver	Gold	PBT	150	White
P3	A-1PA-132-180B2	Silver	Gold	PBT	180	Black
P3	A-1PA-132-300G2	Silver	Gold	PBT	300	Gray
P4	A-1PA-137-100W2	Silver	Gold	PBT	100	White
P4	A-1PA-137-125B2	Silver	Gold	PBT	125	Black
P4	A-1PA-137-150G2	Silver	Gold	PBT	150	Gray
P4	A-1PA-137-180W2	Silver	Gold	PBT	180	White
P4	A-1PA-137-300B2	Silver	Gold	PBT	300	Black



Printed Circuit Board Jacks

Part Number	Plating			Packaging
	Body	Contact	Insulator	
A-1JB	Silver	Gold	LCP	Tape & Reel, 2500 pieces per reel
A-1JB-100	Silver	Gold	LCP	Tape & Reel, 100 pieces on a strip
A-1JB-250	Silver	Gold	LCP	Tape & Reel, 250 pieces on a strip
A-1JB-500	Silver	Gold	LCP	Tape & Reel, 500 pieces on a strip



Cable Adapters

Series	Cable Group	Part Number	Plating			Description
			Body	Contact	Insulator	
SMA	P2	901-10107	Gold	Gold	PTFE	Straight Plug
MMCX	P2	908-43001	Gold	Gold	PTFE	Right Angle Plug
MMCX	P2	908-41000	Gold	Gold	PTFE	Straight Plug
SMA	P2	901-10129	Gold	Gold	PTFE	Straight Bulkhead Jack, Reverse Polarity
SMA	P2	901-10119	Gold	Gold	PTFE	Straight Bulkhead Jack



Cable Group	Cable Type
A	RG-178, 196
B	RG-174, 188A, 316, Belden 7805
B1	RG-179, 187, Belden 9221
B2	RD-188/U, RD-316/U
B3	RD-179/U, AT&T 19224L2
C	RG-58, 58A, 58C, 141, 303, LMR195, Belden 7806A, 9907
C1	RG-55, 142, 223, 400
C2	LMR200, Belden 7807A
D	RG-58/U Plenum, Thinnet, RG-122/U, Belden 88240, 89907
E	RG-59, 62, 140, 210, Belden 8241, 8263, 8279, 9209
E1	RG-59/U 20 AWG center conductor, Belden 1426A, 1505A, 9100, 9278
E2	RD-59/U, Belden 8281, 9141, 9231
E3	RG-59/U Quad Shield, Belden 1152A
F	RG-59/U Plenum, Belden 1560A, 9259, 82259, 89259, 88241
F1	RG-59/U Plenum 20 AWG center conductor, Belden 82108
G1	RG-6, 143, 212
G2	8X, LMR240, Belden 7808A, 9258
G3	LMR400, Belden 7810A, 8214, 9913
G4	RG-8, 8A, 9, 87A, 213, 214, 225, 393
G5	RD-6/U
H	RG-11
H1	Belden 1694A, 9248
H2	Belden 1859A, 7731, 8213, 9292
H3	RG-54A/U
I	AT&T 734A, Belden 1505A
I2	AT&T 735A, Belden 735A1
J	Quad 59 headend cable
K	LMR600
K2	Belden 1695A
K3	RG-122, 180, 195, Belden 1855, 1865A, 8218
L	.141 semi-rigid, RG-402/U
L2	.085, .086, .087 semi-rigid, RG-405/U
L3	.250 semi-rigid
L4	.047 semi-rigid, Belden 1674
M	1/2 inch annular corrugated
M1	1 1/4 inch annular corrugated
M2	1 5/8 inch annular corrugated
M3	7/8 inch annular corrugated
N	1/4 Helical
N1	3/8 Helical
N2	1/2 Helical
N3	7/8 inch SFC
P1	.81 mm OD micro-cable
P2	1.13 mm OD micro-cable, TCB-068
P3	1.32 mm OD micro-cable
P4	1.37 mm OD micro-cable