

2570-1269
ARINC 828
MIL-DTL-38999 Series III Type
Quadrax Plug/Receptacle for EFB Standard

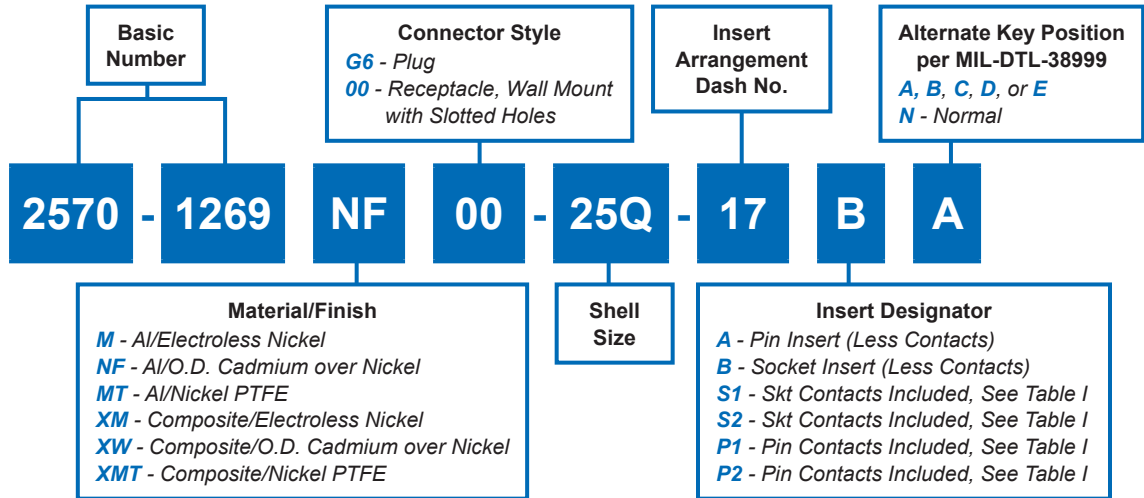
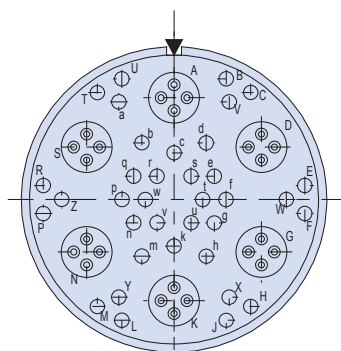
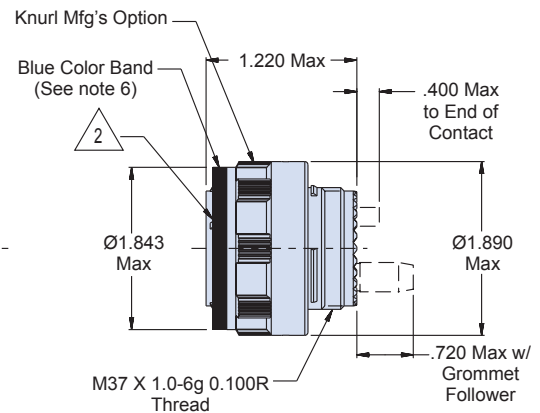
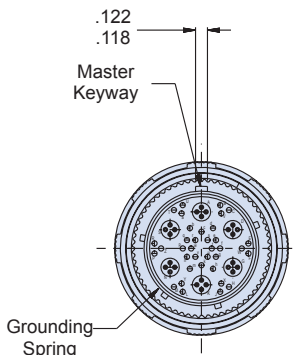


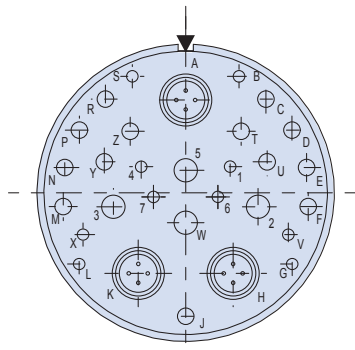
FIGURE 1: INSERT ARRANGEMENTS



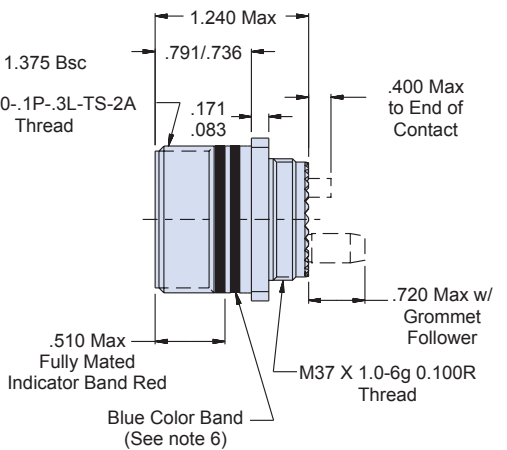
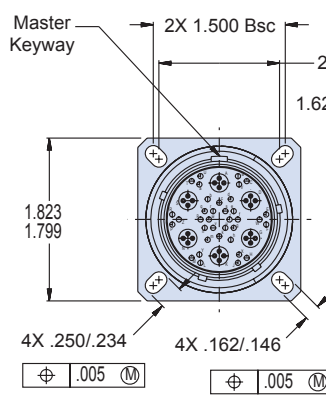
Arrangement 25Q-17
 36 #22 Contacts
 6 #8 Quadrax Contacts
 (J2, J3, J4)



G6 - Plug



Arrangement 25Q-20
 (IAW prEN 3645-001)
 10 #20 Contacts
 13 #16 Contacts
 4 #12 Contacts
 3 #8 Quadrax Contacts
 (J1)



00-Wall Mount Receptacle With Slotted Holes

2570-1269
ARINC 828
MIL-DTL-38999 Series III Type
Quadrax Plug/Receptacle for EFB Standard



Table I: Cross-Reference to ARINC 828 Connectors (Wall Mount Receptacle)

ARINC 828 (Receptacle)	Glenair Conn P/N (See Notes 3 and 4)	Quadrax Contact Socket P/N	Qty	Reference Cable Accommodated
J1	2570-1269M00-25Q-20BA	Not Supplied (To Be Ordered Separately. See Note 5)		
	2570-1269M00-25Q-20S1A	854-002-02F	3	PIC E51424;TENSOLITE NF24Q100; BMS 13-72T03C04G024*; ECS 422404*
	2570-1269M00-25Q-20S2A	854-002-04F	3	PIC E50424*; ABS 1503KD24*
J2	2570-1269M00-25Q-17BA	Not Supplied (To Be Ordered Separately. See Note 5)		
	2570-1269M00-25Q-17S1A	854-002-02F	6	PIC E51424;TENSOLITE NF24Q100; BMS 13-72T03C04G024*; ECS 422404*
	2570-1269M00-25Q-17S2A	854-002-04F	6	PIC E50424*; ABS 1503KD24*
J3	2570-1269M00-25Q-17BB	Not Supplied (To Be Ordered Separately. See Note 5)		
	2570-1269M00-25Q-17S1B	854-002-02F	6	PIC E51424;TENSOLITE NF24Q100; BMS 13-72T03C04G024*; ECS 422404*
	2570-1269M00-25Q-17S2B	854-002-04F	6	PIC E50424*; ABS 1503KD24*
J4	2570-1269M00-25Q-17BC	Not Supplied (To Be Ordered Separately. See Note 5)		
	2570-1269M00-25Q-17S1C	854-002-02F	6	PIC E51424;TENSOLITE NF24Q100; BMS 13-72T03C04G024*; ECS 422404*
	2570-1269M00-25Q-17S2C	854-002-04F	6	PIC E50424*; ABS 1503KD24*

Table II: Quadrax Contact Pin P/N for Plug Connector

	Quadrax Contact Pin P/N	Reference Cable Accommodated
P1	854-001-02F	PIC E51424;TENSOLITE NF24Q100; BMS 13-72T03C04G024*; ECS 422404*
P2	854-001-04F	PIC E50424*; ABS 1503KD24*

Recommended Panel Mounting Holes (Receptacle)

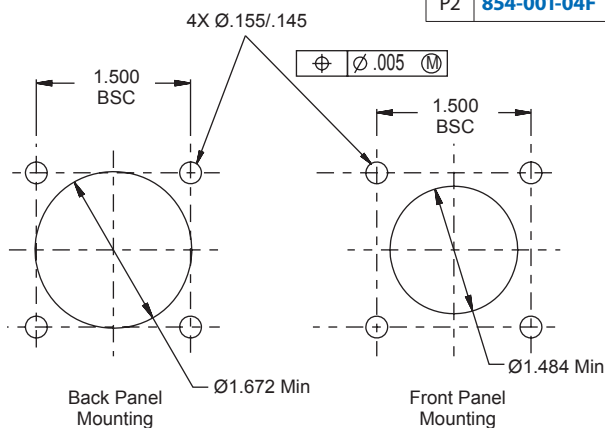


Table III: Signal/Power Contact P/N (to be supplied w/ "P" or "S")

Pin/Socket	Contact Size	Contact P/N
Pin	22	M39029/58-360
	20	M39029/58-363
	16	M39029/58-364
	12	M39029/58-365
Socket	22	M39029/56-348
	20	M39029/56-351
	16	M39029/56-352
	12	M39029/56-353

APPLICATION NOTES

- Material/Finishes:
 Receptacle, Barrel, Coupling Nut - See P/N Development
 Insulators - High Grade Rigid Dielectric
 Seals - Fluorosilicone
 Grounding Spring - BeCu Alloy
 Quadrax Contacts -
 Pin - See 854-001-XX (XX Denotes Cable Type, See Table II)
 Socket - See 854-002-XX (XX Denotes Cable Type, See Table I)
 Grommet Follower - 687-754-8-X
 Signal/Power Contacts - When insert designator is P* or S*, the Signal/Power contacts in Table III will be shipped with connector, as required, along with Quadrax contacts.
- Insert arrangement is in accordance with MIL-STD-1560 and Figure 1
- Common EFB connector material/finish IAW ARINC 828 is Al/ Electroless Nickel, code "M". Other material/finishes are also available, see P/N development for ordering.
- All "J*" connectors, as defined in ARINC 828, are receptacles and their contacts are sockets. The mating plug connectors with pin contacts are not defined in the standard, and can be ordered as shown in P/N development.
- Glenair connector is designed to accept Glenair Quadrax contacts only.
- Blue color band indicates rear release system.