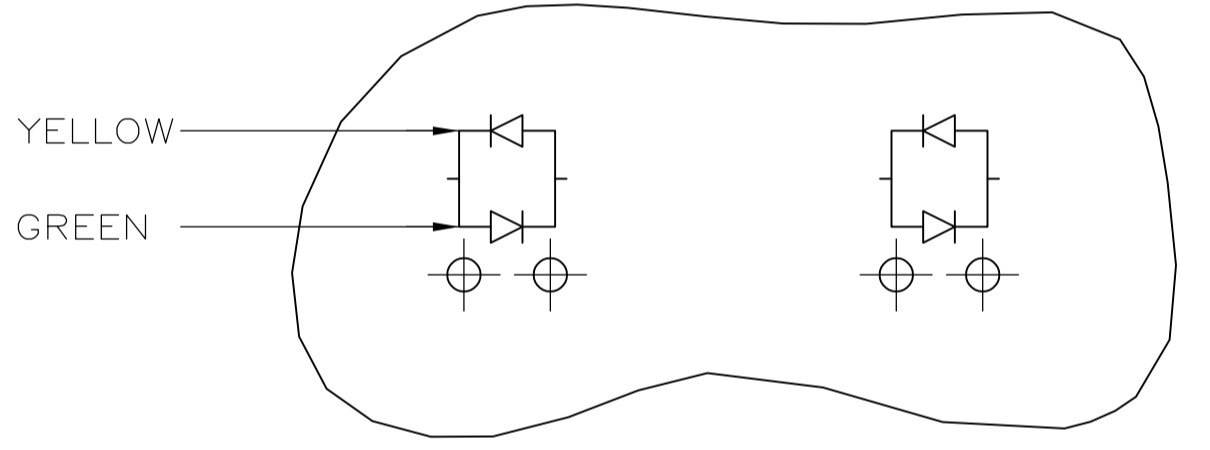
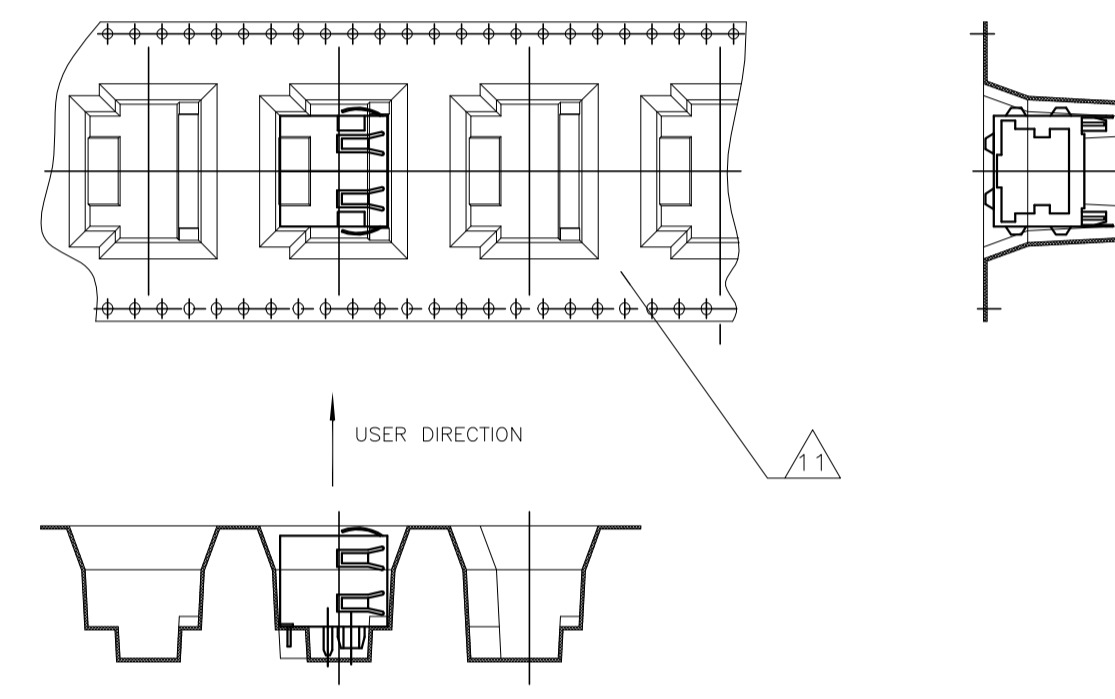
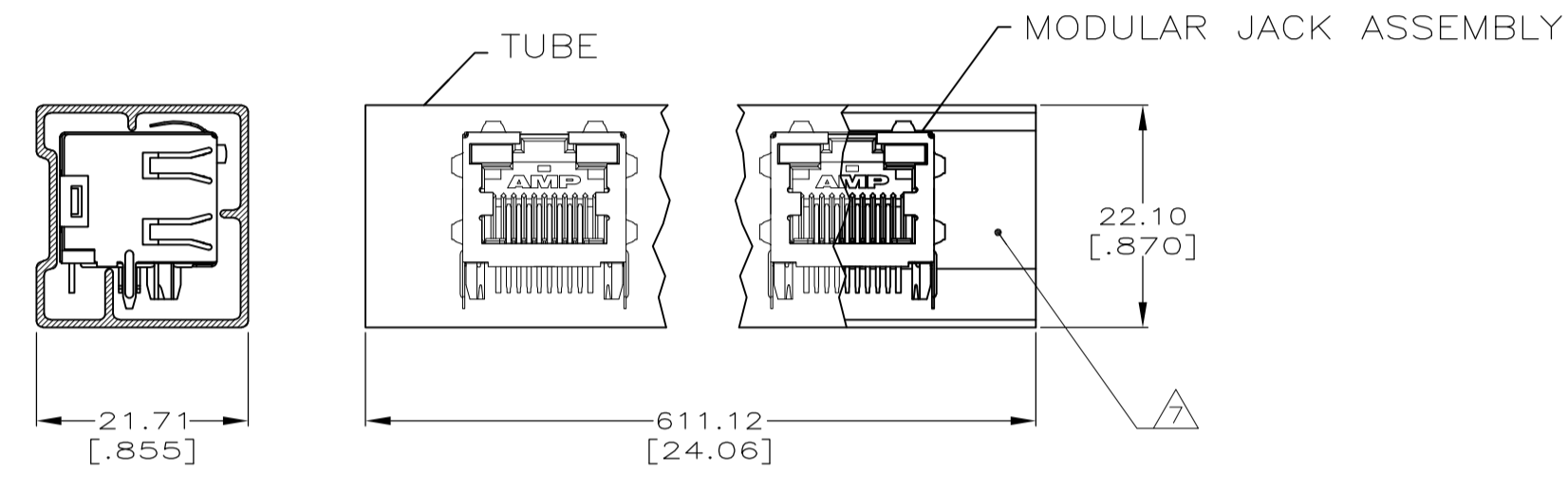
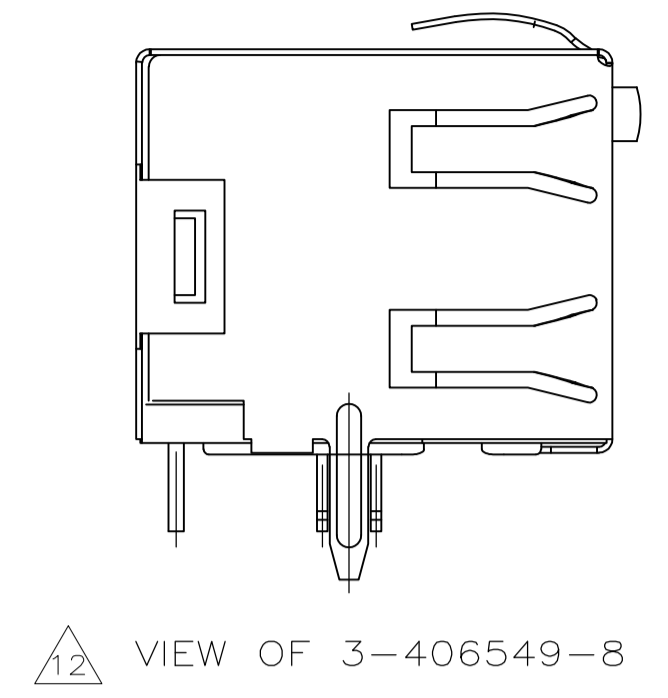
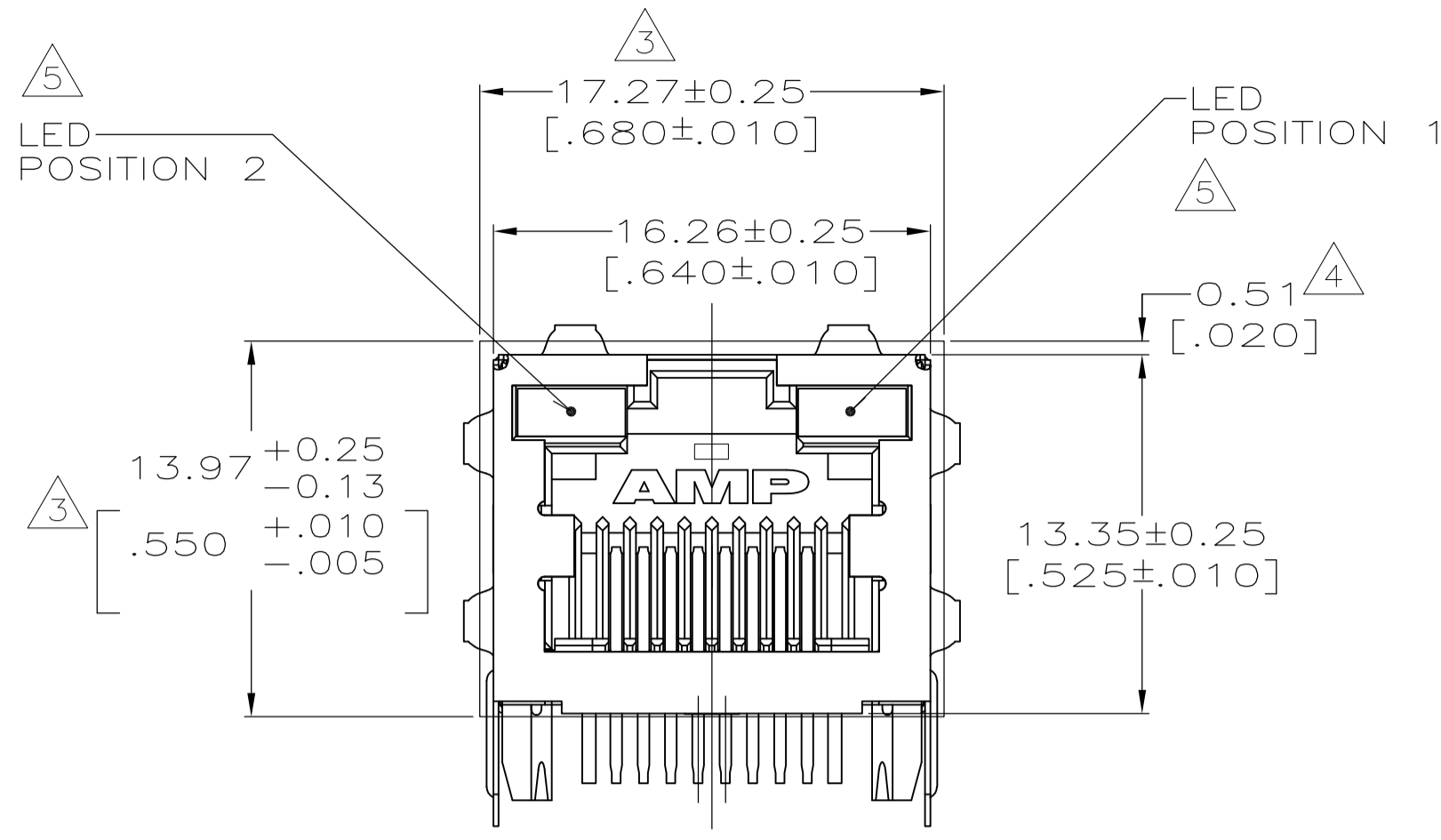
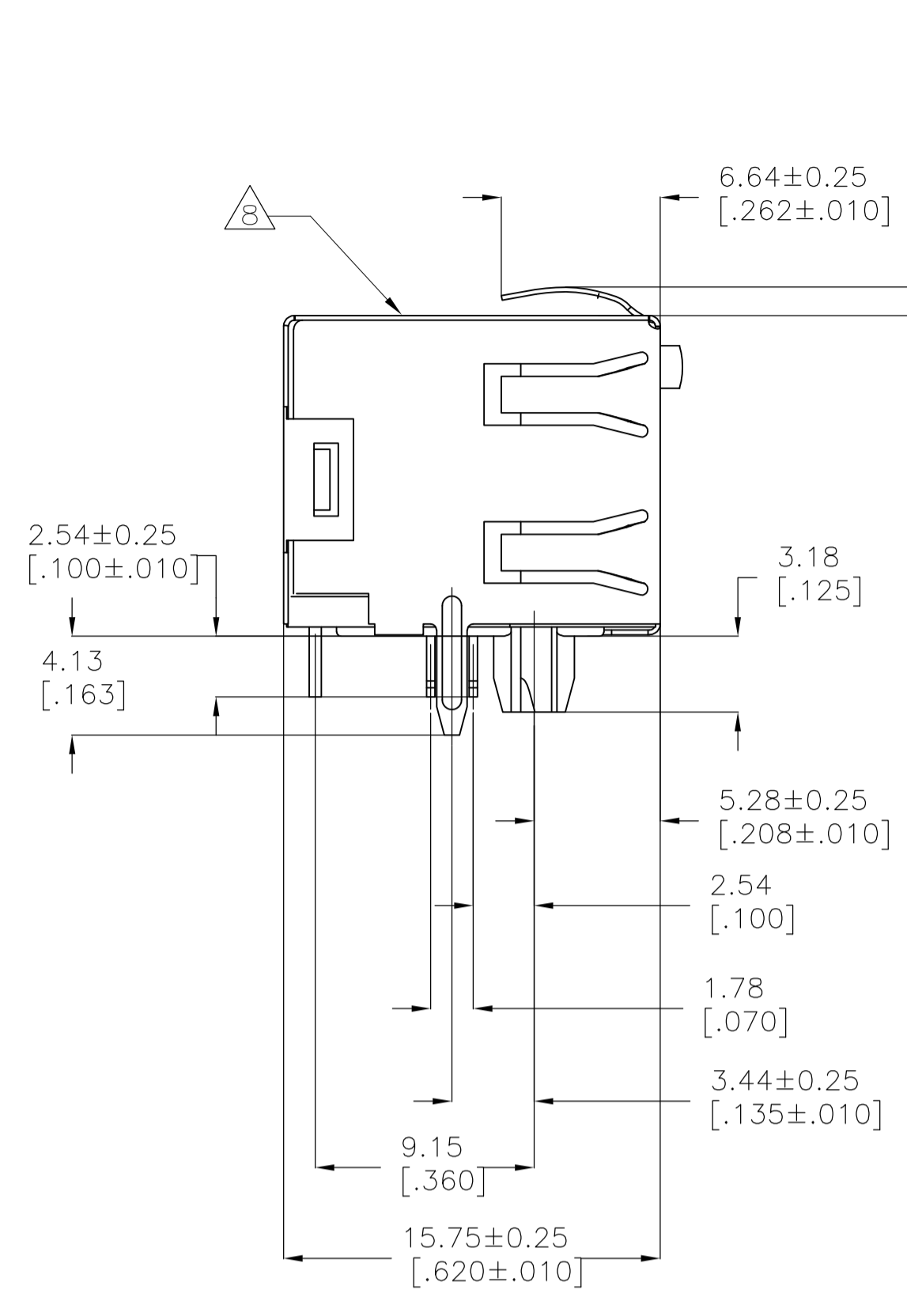
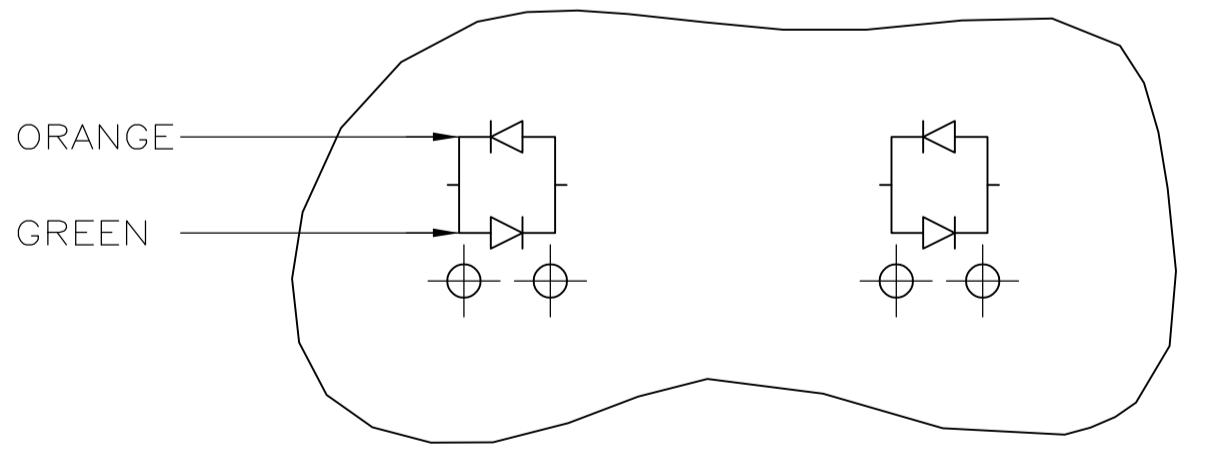


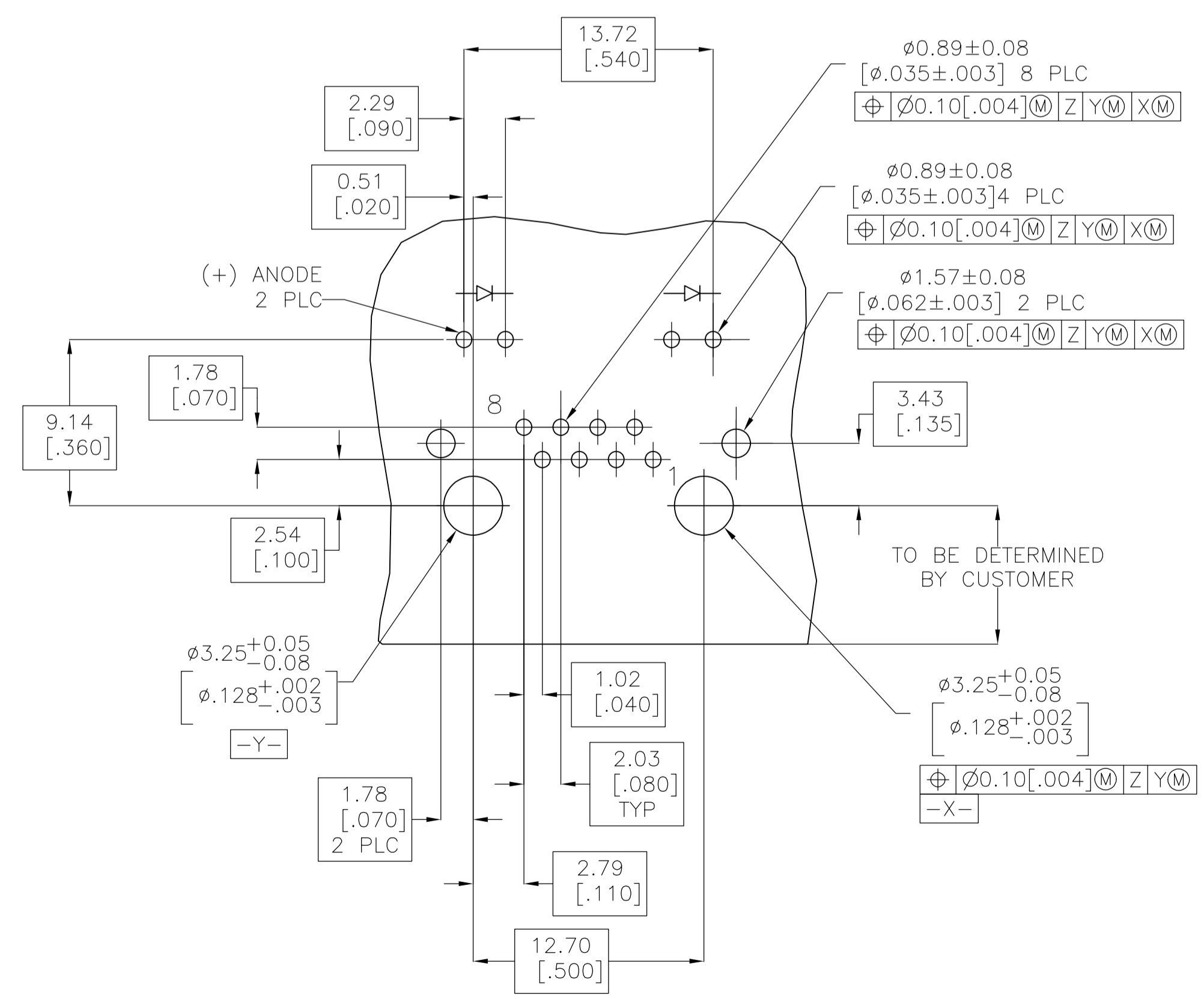
LOC	DIST	REVISIONS				
AA	00	REV	DESCRIPTION	DATE	BY	APPROV
		R9	ECR-11-005509	18FEB2011	JJ	MQW



LED CURRENT DIAGRAM  
406549-8, 2-406549-8



LED CURRENT DIAGRAM  
2-406549-7 ONLY



RECOMMENDED PRINTED CIRCUIT BOARD LAYOUT  
(COMPONENT SIDE)

- 1 MATERIAL: HOUSING - HIGH TEMPERATURE THERMOPLASTIC, BLACK, UL94V-0. TERMINALS - 0.36[.014] THICK PHOS BRONZE PLATED WITH 3.81µm[.000150] MINIMUM THICK (SEE P/N TABLE) IN SOLDER AREA. 1.27µm[.000050] MINIMUM GOLD IN LOCALIZED PLATE AREA. ENTIRE TERMINAL PLATED WITH 1.27µm[.000050] MINIMUM THICK NICKEL. SHIELD - 0.196[.0077] THICK COPPER ZINC ALLOY PREPLATED WITH 1.27µm[.000050] MINIMUM SATIN NICKEL WITH 2.03µm[.000080] MINIMUM TIN POST DIPPED ON PCB GROUND TABS. LIGHT EMITTING DIODE (LED) - DIFFUSED EPOXY LENS, 0.51 x 0.51[.020 x .020] CARBON STEEL WIREFRAME LEADS PLATED WITH 8.89µm[.000350] TIN/COPPER OVER 2.03[.000080] SILVER OVER 1.02µm[.000040] NICKEL UNDERPLATE OVER 1.02µm[.000040] COPPER UNDERPLATE.
- 2. JACK CAVITY CONFORMS TO FCC RULES AND REGULATIONS PART 68, SUBPART F.
- 3 SUGGESTED PANEL OPENING DIMENSIONS.
- 4 SUGGESTED CLEARANCE BETWEEN TOP OF CONNECTOR AND TOP PANEL OPENING.
- 5 SEE TABLE FOR COLOR OF LEDS AND NUMBER REQUIRED.
- 6. THIS MODULAR JACK WITH INTEGRATED LED IS NOT IR REFLOW SOLDERING PROCESS COMPATIBLE.
- 7 PACKAGED 30 PIECES PER TUBE, SEE DETAIL "A".
- 8 MANUFACTURING DATE CODE: LOCATED APPROX. AS SHOWN. FIRST 2 DIGITS = LAST 2 DIGITS OF YEAR. NEXT 2 DIGITS = MANUFACTURING WORK WEEK. LAST DIGIT = DAY OF WEEK WITH SUNDAY = 1.
- 9 THE PART IS PRELIMINARY.
- 10 OBSOLETE PARTS: OBSOLETE CIS STREAMLINING PER D.RENAUD/D.SINISI
- 11 TAPE REEL PACKAGE .SEE DETAIL B.
- 12 WITHOUT PLASTIC POST, SEE VIEW OF 3-406549-8.

TERMINAL LEAD PLATING	PACKAGING	INDICATOR COLOR	PART NUMBER
TAPE REEL	YELLOW/GREEN	YELLOW/GREEN	3-406549-8
TRAY	-	GREEN/RED	3-406549-3
TRAY	RED	GREEN	3-406549-2
TUBE	YELLOW	GREEN	3-406549-1
TRAY	ORANGE/GREEN	GREEN	3-406549-0
TRAY	ORANGE/GREEN	YELLOW	2-406549-9
TRAY	YELLOW/GREEN	YELLOW/GREEN	2-406549-8
TRAY	ORANGE/GREEN	ORANGE/GREEN	2-406549-7
TRAY	YELLOW	YELLOW	2-406549-6
TRAY	GREEN	GREEN	2-406549-5
TRAY	YELLOW	-	2-406549-3
TRAY	-	GREEN	2-406549-2
TRAY	YELLOW	GREEN	2-406549-1
TRAY	YELLOW/GREEN	YELLOW/GREEN	406549-8
TRAY	YELLOW	YELLOW	406549-6
TRAY	GREEN	GREEN	406549-5
TRAY	GREEN	YELLOW	406549-4
TRAY	YELLOW	-	406549-3
TRAY	-	GREEN	406549-2
TRAY	YELLOW	GREEN	406549-1

THIS DRAWING IS A CONTROLLED DOCUMENT.

DIMENSIONS: mm [INCHES]  
 TOLERANCES UNLESS OTHERWISE SPECIFIED:  
 0 PLC ± -  
 1 PLC ± 0.25[.01]  
 2 PLC ± 0.13[.005]  
 3 PLC ± 0.13[.005]  
 4 PLC ± -  
 ANGLES ± -

MATERIAL: SEE NOTE 1  
 FINISH: SEE NOTE 1

DWN: G. GARRETT 17-SEP-97  
 CHK: G. GARRETT 17-SEP-97  
 APD: M. DERSTINE 17-SEP-97  
 NAME: INVERTED MODULAR JACK ASSEMBLY, 1X1, SHIELDED, PANEL GROUND, LED

SIZE: A1  
 CAGE CODE: 00779  
 DRAWING NO: 406549  
 RESTRICTED TO: -

CUSTOMER DRAWING  
 SCALE: 4:1  
 SHEET: 1 of 1  
 REV: R9