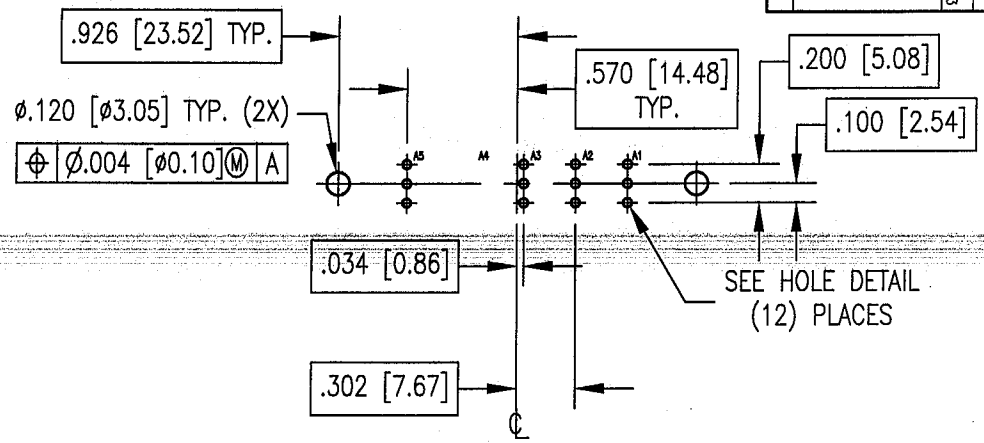
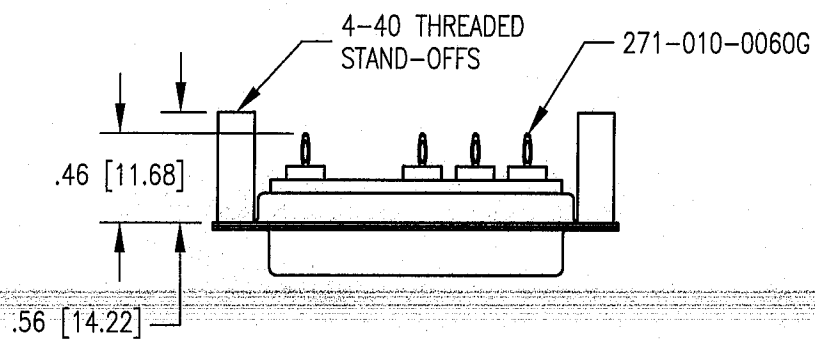
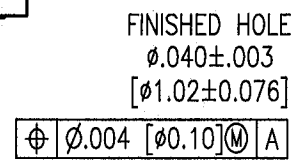
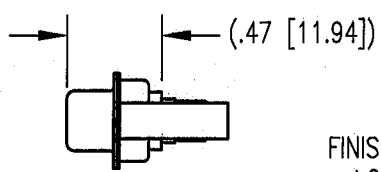
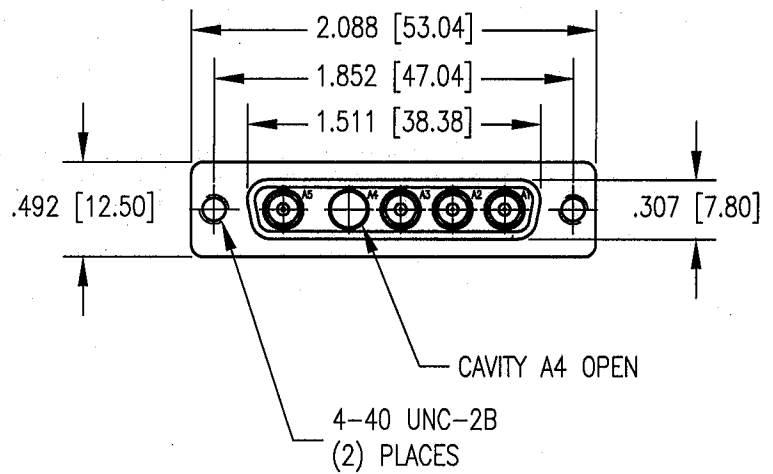


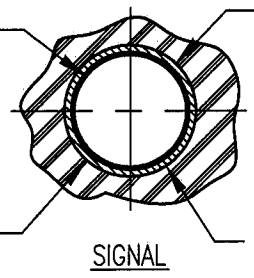
DWG. NO.		SDRM5W5S-1012	
REV	DESCRIPTION	BY DATE	APPD
K	ECR 7651	JW	10/3/00



FOOTPRINT
VIEWED FROM COMPONENT SIDE OF P.C.B.



FINISHED HOLE
 $\phi .040 \pm .003$
 $[\phi 1.02 \pm 0.076]$
SOLDER THICKNESS
.0001/.0008
 $[0.003/0.020]$



DRILLED HOLE
 $\phi .0453^{+.0015}_{-.0010}$
 $[\phi 1.15^{+.038}_{-.025}]$
AFTER DEFLASHING
 $\phi \pm 0.004 [\phi 0.10] \text{ (M) A}$
COPPER THICKNESS
.0010/.0030
 $[0.025/0.076]$

- NOTES:
- MATERIALS:
SHELLS: STEEL PER ASTM A568
INSULATOR: GLASS FILLED POLYESTER
STAND-OFFS: BRASS PER ASTM B16
FOR CONTACT MATERIAL SPECIFICATIONS REFER TO SALES DRAWING 271-010-0060G
 - FINISH:
SHELLS AND STAND-OFFS: TIN PLATE PER ASTM B545
FOR CONTACT FINISH SPECIFICATIONS REFER TO SALES DRAWING 271-010-0060G
 - CONTACT ARRANGEMENT AS SHOWN.

PER ASME Y14.5M-1994 UNLESS OTHERWISE SPECIFIED: DIMENSIONS ARE IN INCHES [MM]		NORTHROP GRUMMAN	
TOLERANCES: DECIMALS .XX ± .01 [0.254] .XXX ± .005 [0.127] ANGLES ± 2°		Winchester Electronics 62 Barnes Industrial Road North Wallingford, CT 06492	
SCALE: 1:1		TITLE	
CUSTOMER DRAWING		5W5S D-SUB CONNECTOR WITH 75 OHM P.C.B. CONTACTS	
DRAWN KJT	DATE 10/3/00	CHECKED JWH	DATE 10/4/00
APPROVED JMC	DATE 10/3/00	APPROVED JED	DATE 10/3/00
A		SDRM5W5S-1012	SHT. 1 OF 1 REV. K