



WR-15 Waveguide Horn Antenna Operating From
56.5 GHz to 67 GHz With a Nominal 34 dBi Gain
With UG-385/U Round Cover Flange

Specialty Waveguide Antennas Technical Data Sheet

PE9881-34

Configuration

Design	WR-15 Standard Gain Horn
Pattern	Directional
Flange	UG-385/U Round Cover

Electrical Specifications

Description	Minimum	Typical	Maximum	Units
Frequency Range	56.5		67	GHz
Nominal Gain		34		dBi
Horizontal 3dB Beam Width		3.5		Degrees
Vertical 3dB Beam Width		2.5		Degrees

Mechanical Specifications

Size

Length	5.54 in [140.72 mm]
Width	4.09 in [103.89 mm]
Height	4.09 in [103.89 mm]

Interface

Flange Type	Round Cover
Flange Designation	UG-385/U

Environmental Specifications

Temperature

Operating Range	40 to +85 deg C
-----------------	-----------------

Compliance Certifications (see [product page](#) for current document)

Plotted and Other Data

Notes:

Click the following link (or enter part number in "SEARCH" on website) to obtain additional part information including price, inventory and certifications: [WR-15 Waveguide Horn Antenna Operating From 56.5 GHz to 67 GHz With a Nominal 34 dBi Gain With UG-385/U Round Cover Flange PE9881-34](#)



WR-15 Waveguide Horn Antenna Operating From
56.5 GHz to 67 GHz With a Nominal 34 dBi Gain
With UG-385/U Round Cover Flange

Specialty Waveguide Antennas Technical Data Sheet

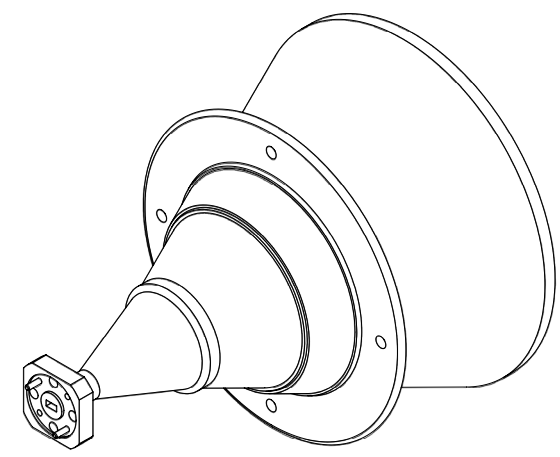
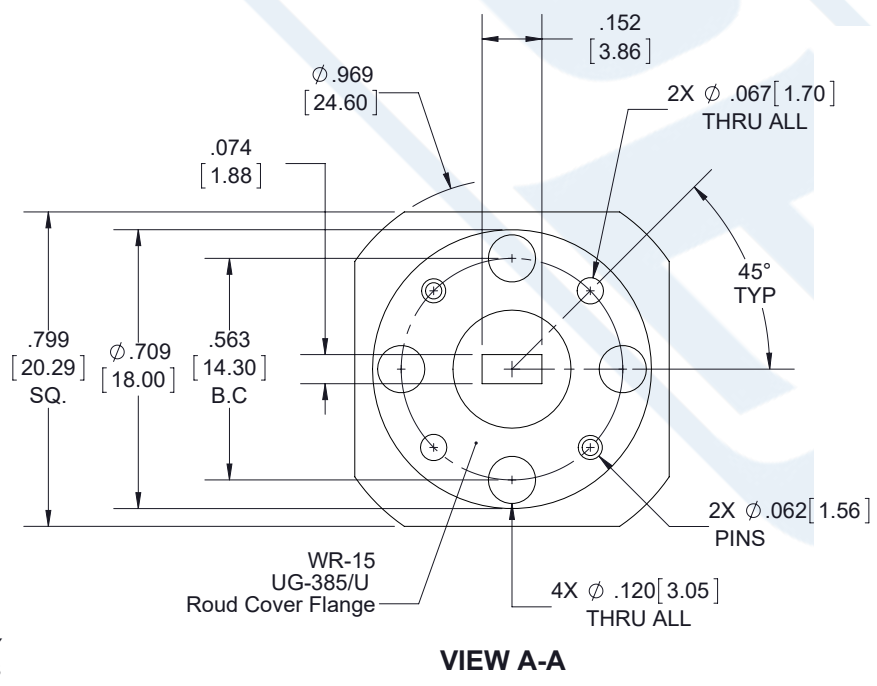
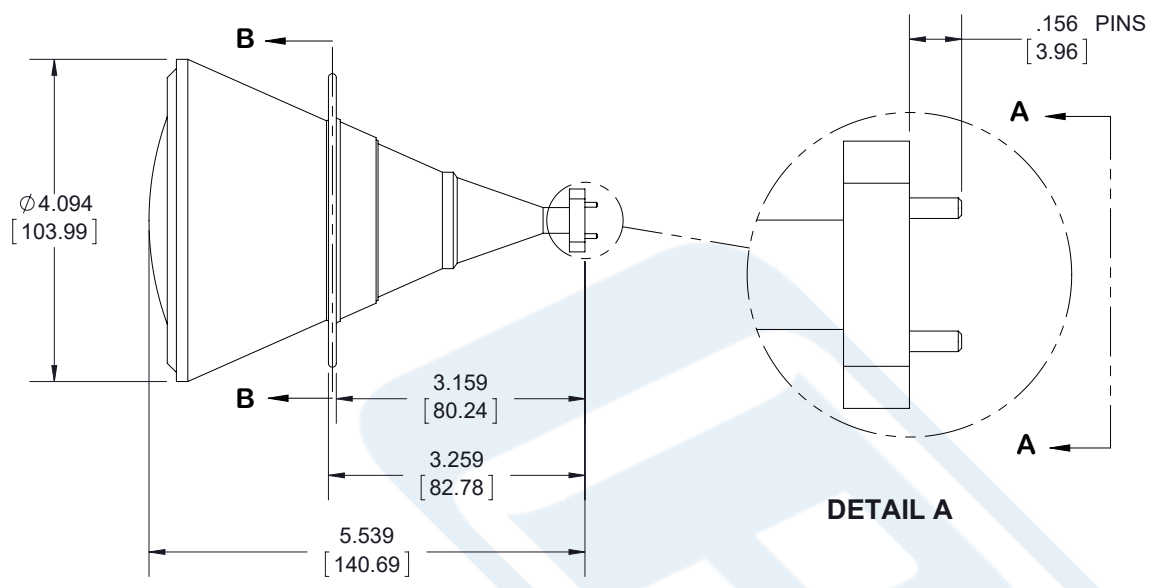
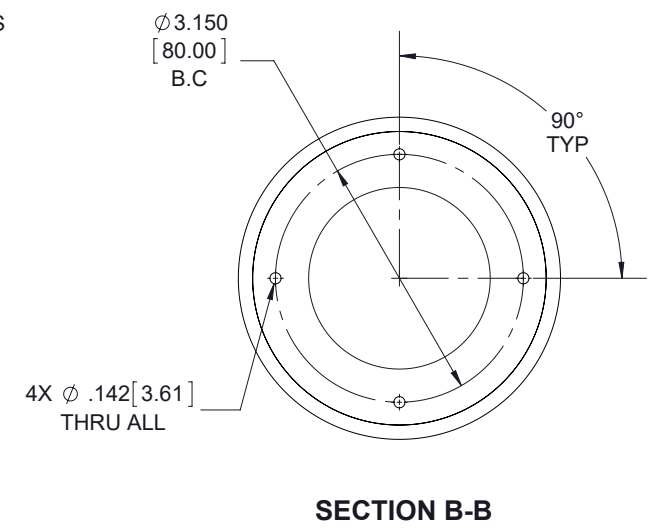
PE9881-34

WR-15 Waveguide Horn Antenna Operating From 56.5 GHz to 67 GHz With a Nominal 34 dBi Gain With UG-385/U Round Cover Flange from Pasternack Enterprises has same day shipment for domestic and International orders. Our RF, microwave and millimeter wave products maintain a 99.4% availability and are part of the broadest selection in the industry.

Click the following link (or enter part number in "SEARCH" on website) to obtain additional part information including price, inventory and certifications: [WR-15 Waveguide Horn Antenna Operating From 56.5 GHz to 67 GHz With a Nominal 34 dBi Gain With UG-385/U Round Cover Flange PE9881-34](https://www.pasternack.com/horn-antenna-50-75-ghz-nominal-34-dbi-gain-wr-15-pe9881-34-p.aspx)

URL: <https://www.pasternack.com/horn-antenna-50-75-ghz-nominal-34-dbi-gain-wr-15-pe9881-34-p.aspx>

The information contained in this document is accurate to the best of our knowledge and representative of the part described herein. It may be necessary to make modifications to the part and/or the documentation of the part, in order to implement improvements. Pasternack reserves the right to make such changes as required. Unless otherwise stated, all specifications are nominal. Pasternack does not make any representation or warranty regarding the suitability of the part described herein for any particular purpose, and Pasternack does not assume any liability arising out of the use of any part or documentation.



STANDARD TOLERANCES	
.X	±0.2
.XX	±0.01
.XXX	±0.005

*STANDARD TOLERANCES APPLY ONLY TO DIMENSIONS IN INCHES

PASTERNAK[®]
 THE ENGINEER'S RF SOURCE
 Pasternack Enterprises, Inc.
 P.O. Box 16759 | Irvine | CA | 92623

Phone: (949) 261-1920 | Fax: (949) 261-7451
 Website: www.pasternack.com | E-Mail: sales@pasternack.com

DWG TITLE
PE9881-34

NOTES:
 1. UNLESS OTHERWISE SPECIFIED ALL DIMENSIONS ARE NOMINAL.
 2. ALL SPECIFICATIONS ARE SUBJECT TO CHANGE WITHOUT NOTICE AT ANY TIME.
 3. DIMENSIONS ARE IN INCHES [mm].

CAGE CODE 53919	CAD FILE 080817	SCALE N/A	SIZE A	9999
------------------------	-----------------	-----------	--------	------