

DS-120

tilt sensor / tilt switch



- Non-mercury Tilt Switch/Sensor.
- Switching/sensing of tilt in mechanical linkages.
- Suitable for digital logic inputs or LED's.
- May be used to operate a relay (with suitable protection).

Contacts

| | | |
|------------------------------|---------------------------|----------------------------------|
| Contact number & arrangement | SPST-NO (1 N/O), 1 Form A | |
| Contact material | Ruthenium | |
| Max. switching voltage | DC | 48V |
| Rated load | W | 10W |
| Maximum switching current | mA | 400mA |
| Operating Angle | Operate | less than -10° (refer to Fig.3) |
| | Release | less than +10° (refer to Fig. 3) |

General Data

| | | |
|----------------------|---------------------------|--------------------------------|
| Housing | | |
| | Material | ABS |
| | Color | Black |
| | Sealing | IP65 |
| Dimensions | inches | Refer to Figs. 1 & 2 |
| Lead cable | | |
| | Length | inches (mm) 2 x 4.25" (108mm) |
| | Termination | Skived end |
| | Type | 20AWG XLPE (automotive grade) |
| | Color | Black |
| Weight | 0.036 pounds (16.3 grams) | |
| Ambient temperature | | |
| | Storage | °C -40°C ~ +85°C |
| | Operating | °C -40°C ~ +85°C |
| Shock resistance | G | 30G for 11ms, half sine. |
| Vibration resistance | G | 3 axis @ 4G. 5-500Hz for 3hrs. |



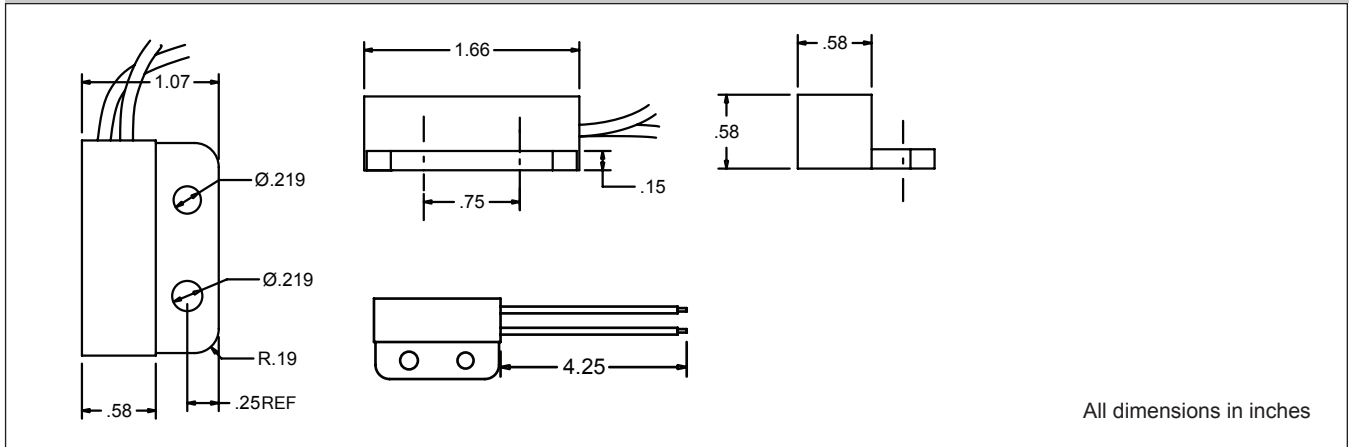
DS-120

tilt sensor / tilt switch



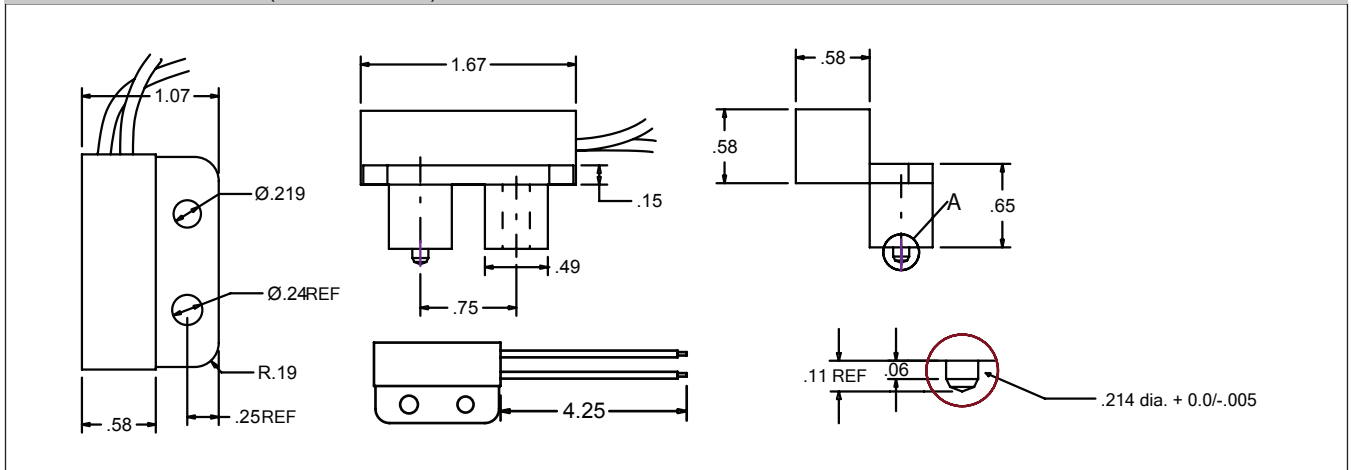
Dimensions: DS-120-A (no stand-offs)

Fig. 1



Dimensions: DS-120-B (with stand-offs)

Fig. 2



Mounting & Method of Operation

Fig. 3

