



Accessories and Tools



667-366 Receptacle and 667-362 Plug Covers for Series 881 Threaded Connectors

METAL PROTECTIVE COVERS FOR SERIES 881 THREADED RECEPTACLES



Receptacle Cover

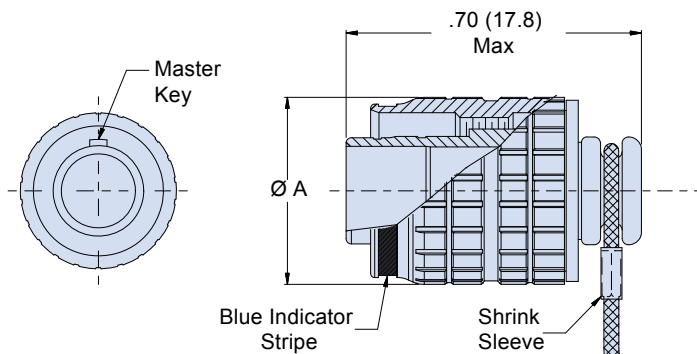


Plug Cover

Rugged metal protective covers fit 881 Series threaded connectors. Protects connector from water and debris ingress. Three attachment options: nylon rope with lug termination (G-02 thru G-160) for attaching to panel, slip knot (GSCS) for attachment to cable or panel, 1/32 inch stainless steel wire rope with loose crimp ferrule (SCF) for attaching to cable or to panel. Aluminum or stainless steel body.

How To Order						
Sample Part Number	667-366	M	B	G	60	-3
Series	667-366 = Receptacle, metal cover 667-362 = Plug, metal cover					
Shell Material/Finish	M = Aluminum/electroless nickel RoHS compliant ZR = Aluminum/zinc-nickel, non-reflective with RoHS compliant black chromate MT = Aluminum/nickel-PTFE RoHS compliant ZMT = Stainless steel/nickel-PTFE RoHS compliant					
Shell Size	See Table I					
Attachment Type	S = Ø 1/32 black nylon coated stainless wire rope G = Ø 1/16 Nylon rope black N = No attachment					
Termination Type	See Attachment Termination table for code					
Attachment Length	Lanyard length in inches (recommended length 2.0 inches)					

667-366 RECEPTACLE COVER

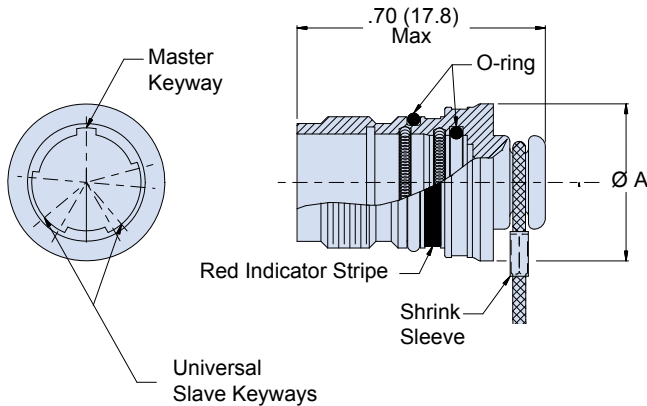


Shell Size	Dimensions	
	Ø A	
	In.	mm.
B	.355	9.02
C	.375	9.53
D	.395	10.03
E	.414	10.52
F	.434	11.02
G	.454	11.53
H	.493	12.52
J	.533	13.54
K	.553	14.05
L	.592	15.04

E



667-362 PLUG COVER



Dimensions		
Shell Size	Ø A	
A	0.318	8.10
B	0.337	8.60
C	0.362	9.20
D	0.375	9.50
E	0.401	10.20
F	0.420	10.70
G	0.442	11.20
H	0.479	12.20
J	0.507	12.90
K	0.529	13.40
L	0.568	14.40

METAL PROTECTIVE COVERS FOR SERIES 881 THREADED RECEPTACLES

Code	Ø C Max		Ø D Max	
	In	mm	In	mm
00	NO TERMINAL			
02	0.093	(2.40)	0.310	(7.90)
04	0.121	(3.10)	0.310	(7.90)
60	0.242	(6.10)	0.362	(9.20)
65	0.262	(6.70)	0.382	(9.70)
70	0.282	(7.20)	0.402	(10.20)
75	0.302	(7.70)	0.422	(10.70)
80	0.321	(8.20)	0.441	(11.20)
85	0.341	(8.70)	0.461	(11.70)
90	0.361	(9.20)	0.481	(12.20)
95	0.380	(9.70)	0.500	(12.70)
100	0.400	(10.20)	0.520	(13.20)
105	0.420	(10.70)	0.540	(13.70)
110	0.439	(11.20)	0.559	(14.20)
115	0.459	(11.70)	0.579	(14.70)
120	0.478	(12.10)	0.598	(15.20)
125	0.498	(12.60)	0.618	(15.70)
130	0.518	(13.20)	0.638	(16.20)
135	0.538	(13.70)	0.658	(16.70)
140	0.557	(14.10)	0.677	(17.20)
145	0.577	(14.70)	0.697	(17.70)
150	0.597	(15.20)	0.717	(18.20)
155	0.617	(15.70)	0.737	(18.70)
160	0.637	(16.20)	0.757	(19.20)
SCS	Slip/Crimp Sleeve			
CF	Crimp Ferrule (Loose)			

Attachment Termination		
Termination Code	Description	Style
Ø 1/16 Nylon Cord Lanyard (Style "G") Attachment:		
-00	No Terminal	
-02 thru -160 See Table I	Lug Termination	
-SCS	Slip/Crimp Sleeve ²	 Provides "slip knot" adjustment may be crimped for permanent attachment
-CF	Crimp Ferrule ³	Supplied loose for field termination of lanyard
Ø 1/32 Stainless Steel Wire (Style "S") Attachment:		
-00	No Terminal	
-CF	Crimp Ferrule ³	Supplied loose for field termination of lanyard

Material/Finish:	
Cover	Al alloy or cres/see Table II
O-ring	Fluorosilicone/N.A.
Attachment	See Table II/N.A.
Eyelet	SST/black chromate
Shrink sleeving	polyolefin/N.A.
Crimp ring	copper/black chromate
SCS and CF for nylon cord	copper/black chromate
CF for wire rope	SST/passivated

NOTES

- Attachment to withstand 25 lb pull test
- Slip/crimp sleeve (SCS) - for Type G nylon cord only
Provides "slip knot" adjustment, may be crimped for permanent attachment
- Crimp ferrule (CF) - for Type S wire rope and G nylon cord
Supplied loose for user termination