



Low Noise Regulated Charge Pump DC/DC Converter

Description

The SD6210A is a low noise, constant frequency (1.20MHz) switched capacitor voltage doubler. It produces a regulated output voltage from 2.8V to 5V input with up to 250mA of output current. Low external parts count (one flying capacitor and two small bypass capacitors at VIN and VOUT) make the SD6210A ideally suited for small, battery-powered applications.

The new charge-pump architecture maintains constant switching frequency to no load and reduces both output and input ripple. The SD6210A have thermal shutdown capability and can survive a continuous short circuit from VOUT to GND. Built-in soft-start circuitry prevents excessive inrush current during start-up.

The SD6210A is available in the 6-pin SOT-23 package.

Features

- Fixed 5V±3% Output
- VIN Range: 2.8V ~5V
- Output Current: up to 250mA (VIN=4.5V)
- Low Noise Constant Frequency Operation
- Shutdown Current: <1μA
- Short-Circuit Protection
- Soft-start
- No Inductors
- Available in Low Profile 6-Lead SOT-23 Package

Applications

- White LED Backlighting
- Li-Ion Battery Backup Supplies
- Local 3V to 5V Conversion
- Smart Card Readers
- PCMCIA Local 5V Supplies

Pin Assignment and Description

| TOP VIEW | | PIN | NAME | DESCRIPTION |
|-----------------------------------|--|-----|------|-------------------------------------|
| <p>(Marking)</p> <p>SOT-23-6L</p> | | 1 | VOUT | Output |
| | | 2 | GND | Ground |
| | | 3 | EN | ON/OFF Control (High Enable) |
| | | 4 | C- | Flying Capacitor Negative Terminal. |
| | | 5 | VIN | Input |
| | | 6 | C+ | Flying Capacitor Positive Terminal. |

SOT23-6L Marking

| Part Number | Product Code |
|-------------|--------------|
| SD6210A | 10A45 |

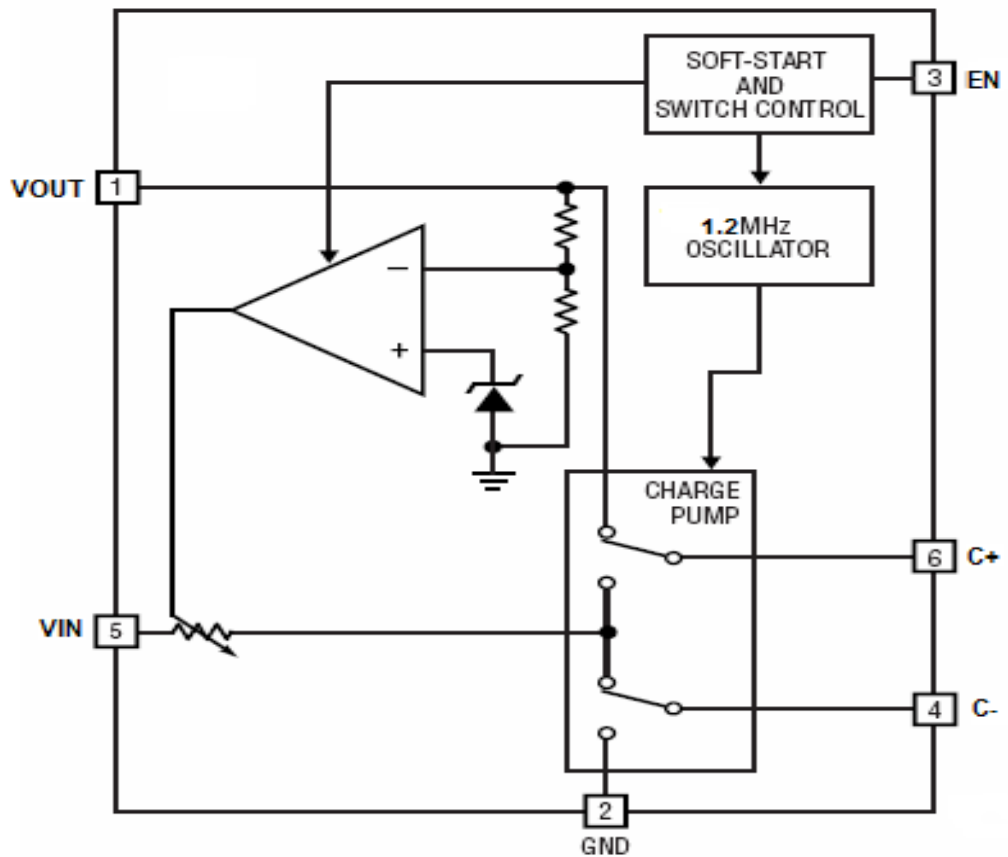


Electrical Characteristics

Operating Conditions: $T_A = 25^{\circ}\text{C}$, $V_{IN} = 3.6\text{V}$, $V_{EN} = V_{IN}$, $C_{IN} = C_{OUT} = 10\mu\text{F}$, unless otherwise noted.

| SYMBOL | PARAMETER | CONDITIONS | MIN | TYP | MAX | UNITS |
|----------------------|-----------------------|---|-----|------|-----|---------------|
| V_{IN} | Input Voltage Range | | 2.8 | | 5 | V |
| V_{OUT} | Output Voltage Range | | 4.8 | 5 | 5.2 | V |
| I_{SHDN} | Shutdown Current | $V_{EN} = 0\text{V}$, $V_{OUT} = 0\text{V}$ | | 0.2 | | μA |
| $I_{NO\text{ LOAD}}$ | No load input current | $I_{OUT} = 0\text{mA}$, $V_{IN} = 2.8\text{V}$ | | 1.8 | | mA |
| EFFI | Efficiency | $V_{IN} = 2.8\text{V}$, $I_{OUT} = 80\text{mA}$ | | 83 | | % |
| f_{OSC} | Switching Frequency | $V_{IN} = 3.2\text{V}$, $I_{OUT} = 100\text{mA}$ | | 1.20 | | MHz |

Block Diagram





Typical Application Circuit

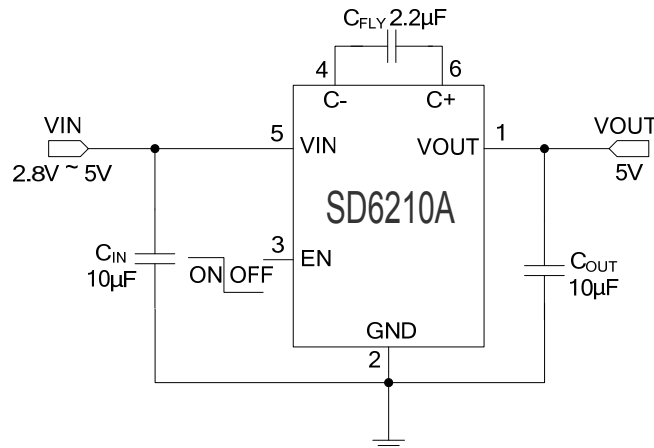


Figure 1: Regulated 5V Output

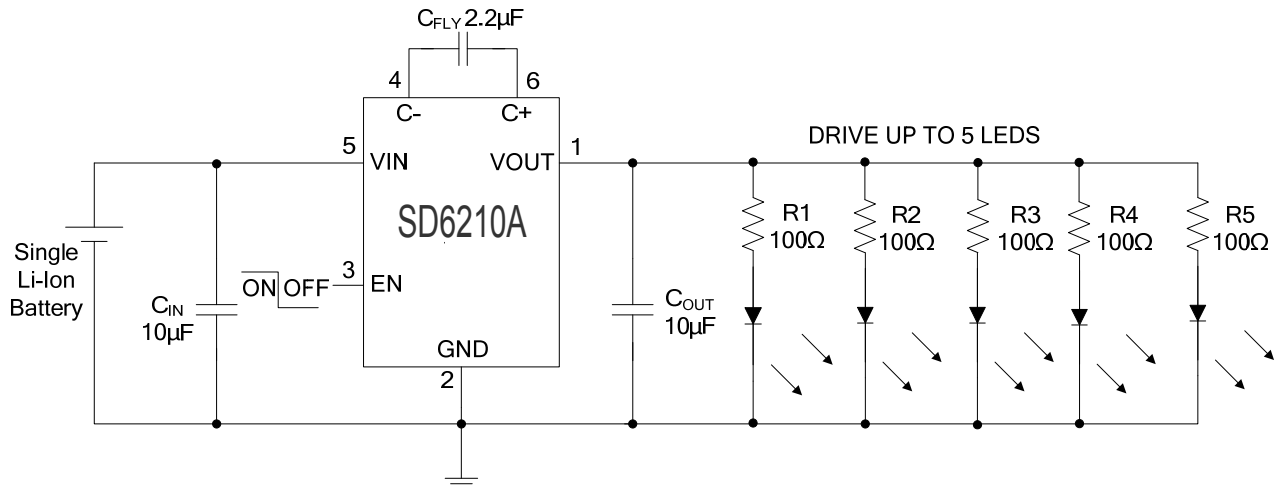


Figure 2: Lithium-Ion Battery to 5V White or Blue LED Drivers

Absolute Maximum Ratings (Note 1)

- Input Supply Voltage.....-0.3V ~ 6V
- EN Pin Voltage.....-0.3V ~ 6V
- Output Voltage.....-0.3V ~ 5.5V
- Output Current 300mA
- Operating Temperature Range (Note 2).....-40°C ~ +85°C
- Maximum Junction Temperature.....+150°C
- Storage Temperature Range-65°C ~ +125°C
- Lead Temperature (Soldering, 10 sec.)+265°C

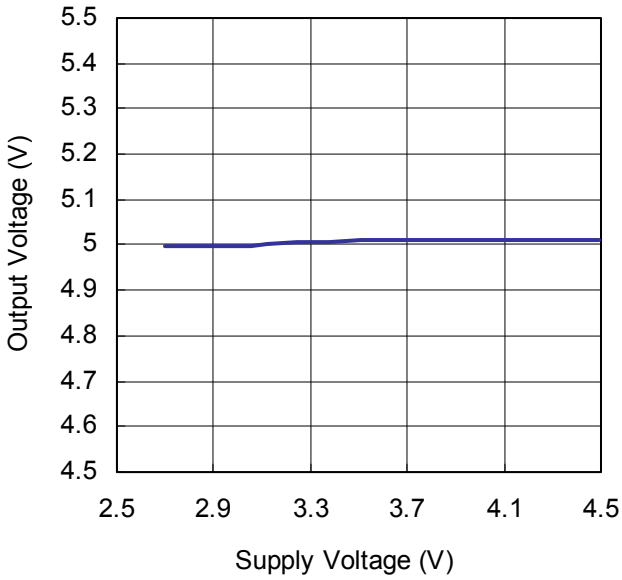
Note 1: Stresses listed as the above “Absolute Maximum Ratings” may cause permanent damage to the device. Exposure to absolute maximum rating conditions for extended periods may remain possibility to affect device reliability.

Note 2: The SD6210A is guaranteed to meet performance specifications from 0°C to 70°C. Specifications over the -40°C to 85°C operating temperature range are assured by design, characterization and correlation with statistical process controls.

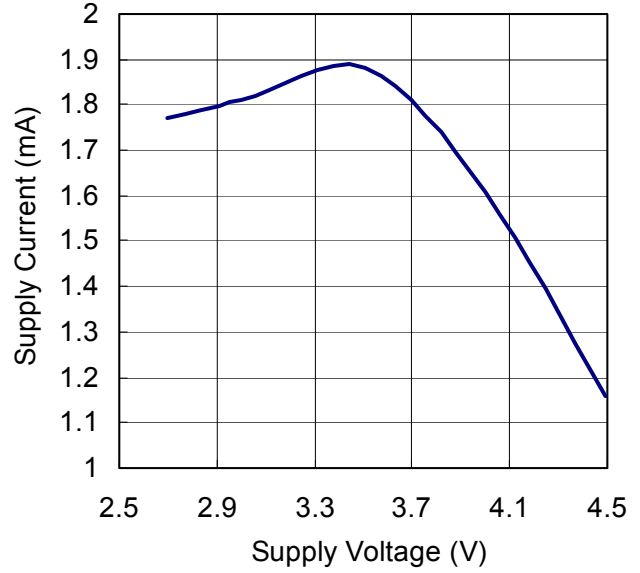


Typical Performance Characteristics

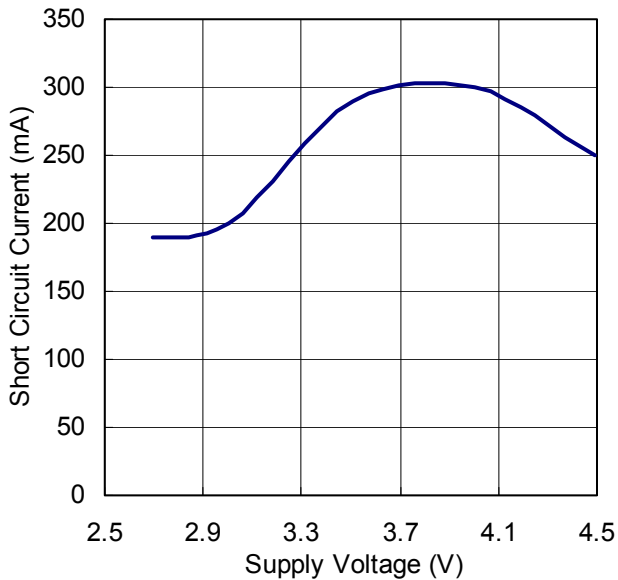
Output Voltage vs. Supply Voltage



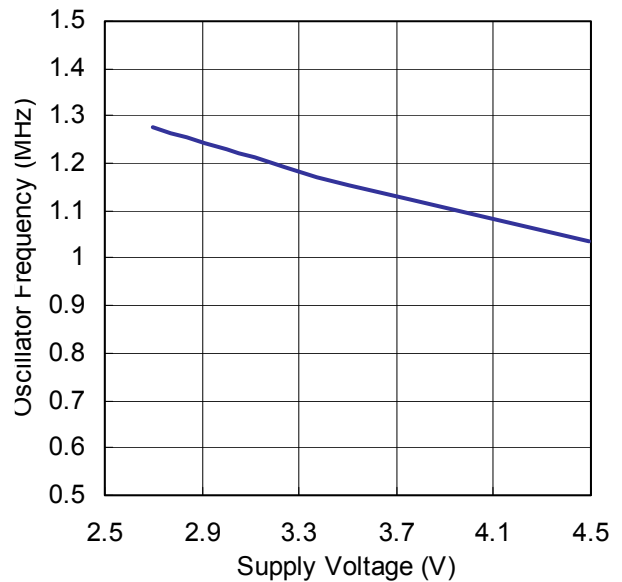
No Load Supply Current vs. Supply Voltage



Short Circuit Current vs. Supply Voltage

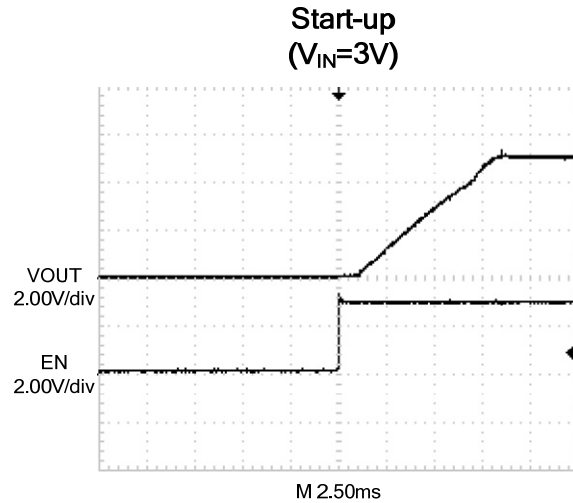
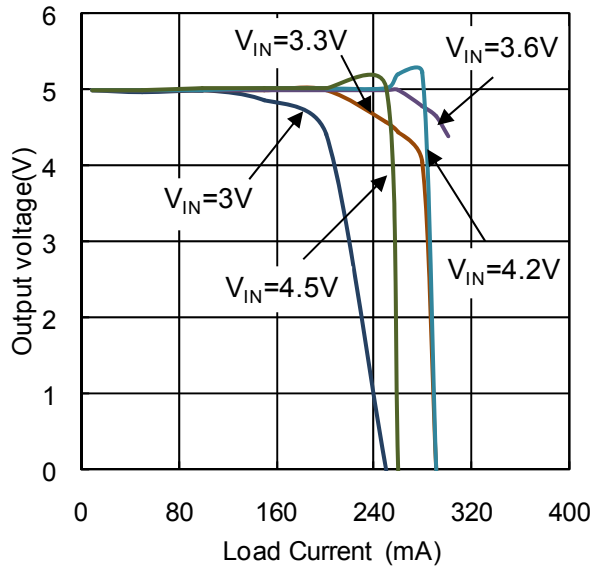


Oscillator Frequency vs. Supply Voltage





Load Current vs. Output Voltage



Pin Functions

VOUT (Pin 1): Regulated Output Voltage. VOUT should be bypassed with a low ESR ceramic capacitor providing at least 10 μ F of capacitance as close to the pin as possible for best performance.

GND (Pin 2): Ground. These pins should be tied to a ground plane for best performance. The exposed pad must be soldered to PCB ground to provide electrical contact and optimum thermal performance.

EN (Pin 3): Active Low Shutdown Input. This pin must not be allowed to float.

C- (Pin 4): Flying Capacitor Negative Terminal.

VIN (Pin 5): Input Supply Voltage. VIN should be bypassed with a low ESR ceramic capacitor providing at least 10 μ F of capacitance as close to the pin as possible for best performance.

C+ (Pin 6): Flying Capacitor Positive Terminal.

Application Information

Operation

The SD6210A use a switched capacitor charge pump to boost VIN to a regulated output voltage. Regulation is achieved by sensing the output voltage through an internal resistor divider and modulating the charge pump output current based on the error signal. A 2-phase nonoverlapping clock activates the charge pump switches. The flying capacitor is charged from VIN on the first phase of the clock. On the second phase of the clock it is stacked in series with VIN and connected to VOUT. This sequence of charging and discharging the flying capacitor continues at a free running frequency of 1.2MHz (typ).

In shutdown mode all circuitry is turned off and the SD6210A draw only leakage current from the VIN supply. Furthermore, VOUT is disconnected from VIN. The EN pin is a CMOS input with a threshold voltage of approximately 0.8V. The SD6210A is in shutdown when a logic low is applied to the EN pin. Since the EN pin is high impedance CMOS input it should never be allowed to float. To ensure that its state is defined it must always be driven with a valid logic level.



Short-Circuit Protection

The SD6210A have built-in short-circuit current limiting. At short-circuit condition, it will automatically limit the output current to approximately 300mA.

Soft-Start

The SD6210A have built-in soft-start circuitry to prevent excessive current flow at VIN during start-up. The soft-start time is preprogrammed to approximately 2.5ms, so the start-up current will be primarily dependent upon the output capacitor.

VIN, VOUT Capacitor Selection

The style and value of capacitors used with the SD6210A determine several important parameters such as regulator control loop stability, output ripple, charge pump strength and minimum start-up time.

To reduce noise and ripple, it is recommended that low ESR ($<0.1\Omega$) ceramic capacitors be used for both C_{IN} and C_{OUT} . These capacitors should be $10\mu\text{F}$ or greater. Tantalum and aluminum capacitors are not recommended because of their high ESR.

Flying Capacitor Selection

Warning: A polarized capacitor such as tantalum or aluminum should never be used for the flying capacitor since its voltage can reverse upon start-up of the SD6210A. Low ESR ceramic capacitors should always be used for the flying capacitor.

The flying capacitor controls the strength of the charge pump. In order to achieve the rated output current it is necessary to have at least $2.2\mu\text{F}$ of capacitance for the flying capacitor.

Layout Considerations

Due to its high switching frequency and the high transient currents produced by the SD6210A, careful board layout is necessary. A true ground plane and short connections to all capacitors will improve performance and ensure proper regulation under all conditions.

Figure 4 shows an example layout for the SD6210A.

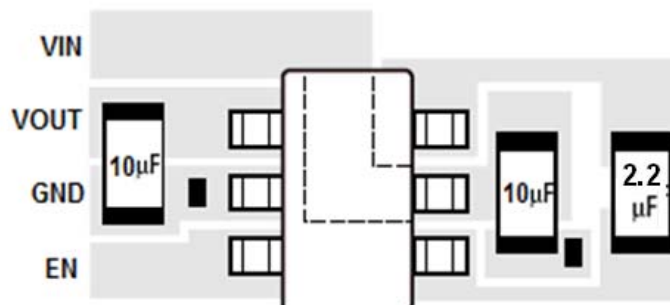
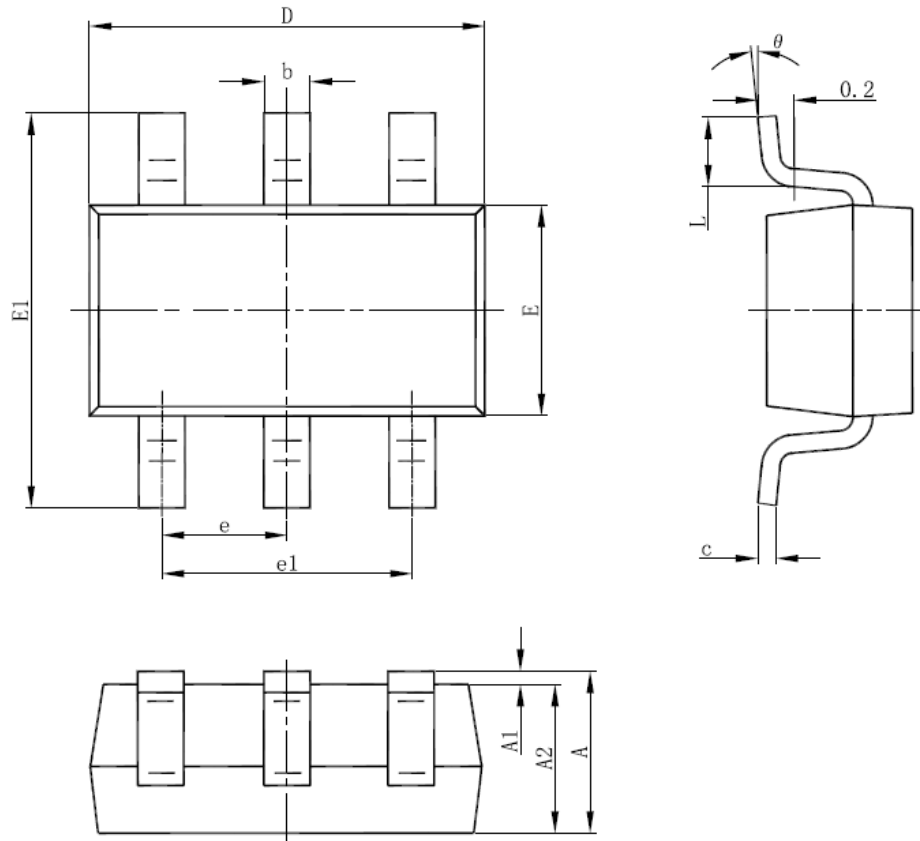


Figure 3: Recommended Layout

**Packaging Information**

SOT-23-6L Package Outline Dimension



| Symbol | Dimensions In Millimeters | | Dimensions In Inches | |
|----------|---------------------------|-------|----------------------|-------|
| | Min | Max | Min | Max |
| A | 1.050 | 1.250 | 0.041 | 0.049 |
| A1 | 0.000 | 0.100 | 0.000 | 0.004 |
| A2 | 1.050 | 1.150 | 0.041 | 0.045 |
| b | 0.300 | 0.500 | 0.012 | 0.020 |
| c | 0.100 | 0.200 | 0.004 | 0.008 |
| D | 2.820 | 3.020 | 0.111 | 0.119 |
| E | 1.500 | 1.700 | 0.059 | 0.067 |
| E1 | 2.650 | 2.950 | 0.104 | 0.116 |
| e | 0.950(BSC) | | 0.037(BSC) | |
| e1 | 1.800 | 2.000 | 0.071 | 0.079 |
| L | 0.300 | 0.600 | 0.012 | 0.024 |
| θ | 0° | 8° | 0° | 8° |