

# KR Electronics

## General Description

KR Electronics part number 2921 is a 118 MHz elliptic lowpass filter. Other bandwidths available. Please consult the factory.

### Features

- 118 MHz Cutoff Frequency
- Sharp Transition to Stopband
- >40 dB Stopband Attenuation
- 50  $\Omega$  Source and Load
- TNC Connectors

## Typical Performance

### Overall Response (10 dB/div)

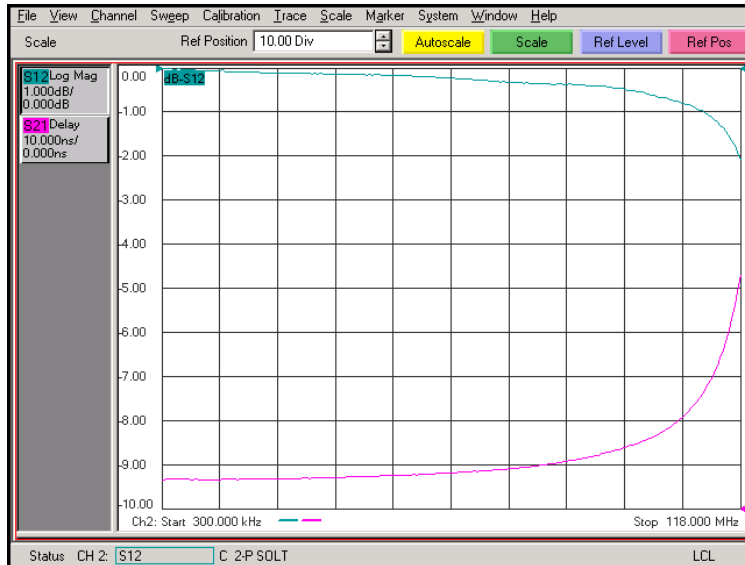


KR Electronics, Inc.  
91 Avenel Street  
Avenel, NJ 07001

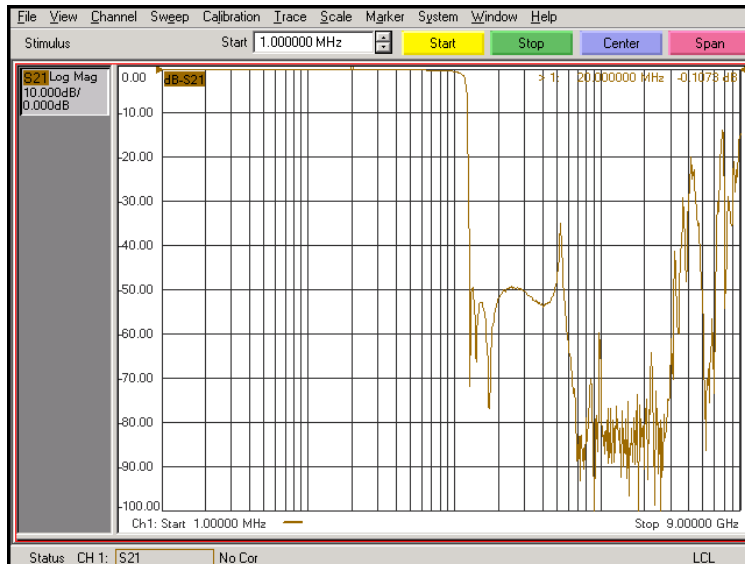
Web [www.krfilters.com](http://www.krfilters.com)  
Email [sales@krfilters.com](mailto:sales@krfilters.com)  
Phone (732) 636-1900  
Fax (732) 636-1982

## Typical Performance

### Passband Amplitude & Group Delay (1 dB/div & 10 nsec/div)



### Overall Stopband to 9 GHz (10 dB/div)



KR Electronics, Inc.  
91 Avenel Street  
Avenel, NJ 07001

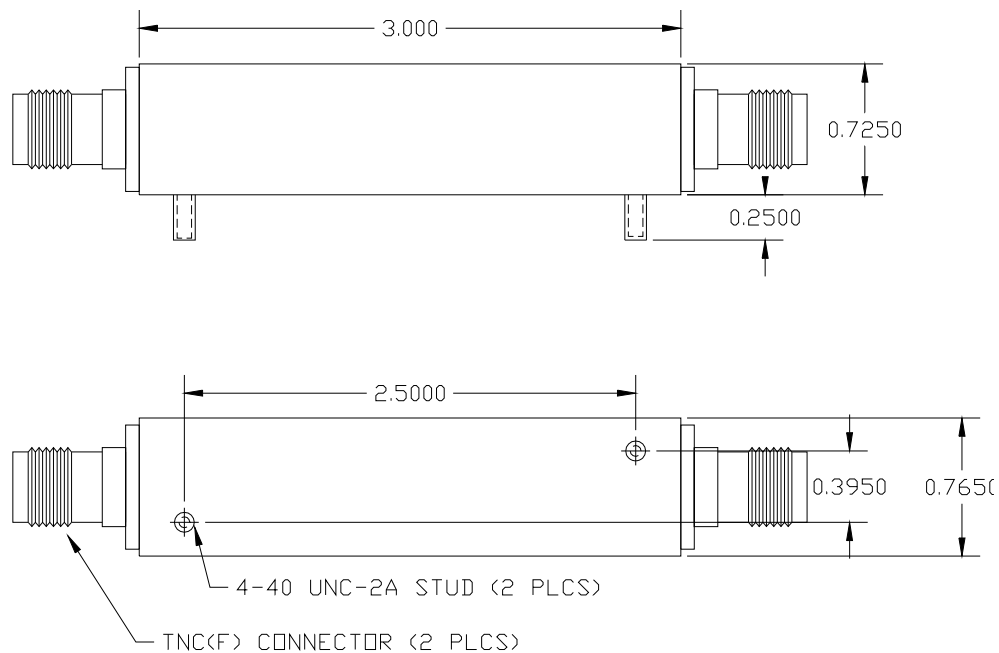
Web [www.krfilters.com](http://www.krfilters.com)  
Email [sales@krfilters.com](mailto:sales@krfilters.com)  
Phone (732) 636-1900  
Fax (732) 636-1982

# KR Electronics 2921

## Specifications

Parameter	Specification
Filter type	Lowpas
End of Passband (<2.5 dB)	118 MHz
Start of Stopband (>40 dB)	126 MHz
Source and Load	50 Ω

## Physical Dimensions



### Notes:

1. Metal Rectangular Case
2. Dimensions in inches
3. Also available with SMA connectors or surface mount package