

LV96/LV98 Series 3.3 V LVDS Clock Oscillators

January 2008



- Pletronics LV96/LV98 Series is a quartz crystal controlled precision square wave generator with an LVDS output.
- Solder pad compatible legacy LVDS oscillator solutions.
- FR4 base using the LV93 or LV99 5x7 mm ceramic packaged SMD device.
- Tape and Reel packaging is available.
- 10.9 to 670 MHz
- Enable/Disable Function:
 - LV98** on pad 2
 - LV96** on pad 1
- Low Jitter

***This series, LV96 and LV98, is not recommended for new designs.
Use LV93 or LV99 series for new designs .***

**Pletronics Inc. certifies this device is in accordance with the
RoHS 6/6 (2002/95/EC) and WEEE (2002/96/EC) directives.**

Pletronics Inc. guarantees the device does not contain the following:

Cadmium, Hexavalent Chromium, Lead, Mercury, PBB's, PBDE's

Weight of the Device: 0.40 grams

Moisture Sensitivity Level: 1 As defined in J-STD-020C

Second Level Interconnect code: e4

Absolute Maximum Ratings:

Parameter	Unit
V _{CC} Supply Voltage	-0.5V to +6.5V
V _i Input Voltage	-0.5V to V _{CC} + 0.5V
V _o Output Voltage	-0.5V to V _{CC} + 0.5V

Thermal Characteristics

The maximum die or junction temperature is 155°C

The thermal resistance junction to board is 40 to 80°C/Watt depending on the solder pads, ground plane and construction of the PCB.

Part Number:

LV9x	45	D	E	V	-125.0M	-XX	
							Packaging code or blank T250 = 250 per Tape and Reel T500 = 500 per Tape and Reel T1K = 1000 per Tape and Reel
							Frequency in MHZ
							Supply Voltage V_{CC} V = 3.3V ± 10%
							Temperature Range blank = -10 to +70°C E = -40 to +85°C
							Series Model
							Frequency Stability 45 = ± 50 ppm 44 = ± 25 ppm 20 = ± 20 ppm
							Series Model (x is 6 or 8)

Part Marking:

PLE LV9x
FF.FFF M
 • **YMDXX**

Marking Legend:

PLE = Pletronics X = 6 or 8
 FF.FFF M = Frequency in MHZ
 YMD = Date of Manufacture (year-month-day)
 All other marking is internal factory codes

Codes for Date Code YMD

Code	7	8	9	0	1	2
Year	2007	2008	2009	2010	2011	2012

Code	A	B	C	D	E	F	G	H	J	K	L	M
Month	JAN	FEB	MAR	APR	MAY	JUN	JUL	AUG	SEP	OCT	NOV	DEC

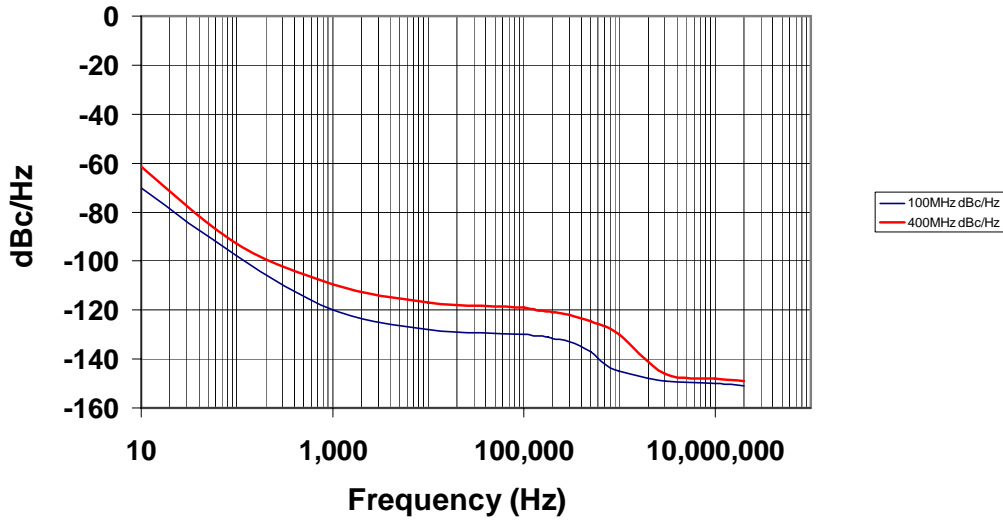
Code	1	2	3	4	5	6	7	8	9	A	B	C
Day	1	2	3	4	5	6	7	8	9	10	11	12
Code	D	E	F	G	H	J	K	L	M	N	P	R
Day	13	14	15	16	17	18	19	20	21	22	23	24
Code	T	U	V	W	X	Y	Z					
Day	25	26	27	28	29	30	31					

Electrical Specification for 3.30V \pm 10% over the specified temperature range and the frequency range of 10.9 MHz to 670 MHz

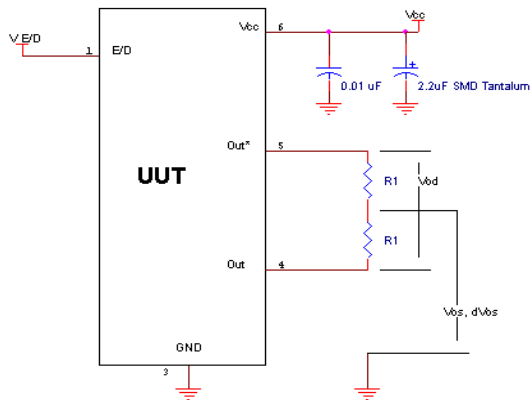
Item	Min	Max	Unit	Condition
Frequency Accuracy "45"	-50	+50	ppm	For all supply voltages, load changes, aging for 1 year, shock, vibration and temperatures
"44"	-25	+25		
"20"	-20	+20		
Output Waveform	LVDS			
Output High Level	--	1.60	Volts	See load circuit R1 = 50 ohms
Output Low Level	0.90	--	Volts	
Differential Output (V_{OD})	250	450	mVolts	
Output Offset Voltage (V_{OS})	1.125	1.375	Volts	
Differential Output Error (dV_{OS})	--	50	mVolts	
Output Symmetry	47	53	%	Referenced to 50% of amplitude or crossing point
Output T_{RISE} and T_{FALL}	150	230	pS	Vth is 20% and 80% of waveform
Jitter	-	0.6	pS RMS	Measured from 12KHz to 20MHz from Fnominal
	-	2.8		Measured from 10Hz to 20MHz from Fnominal
Output Short Circuit Current	-	-20	mA	Vout = 0.0V
Vcc Supply Current	-	80	mA	
Enable/Disable Internal Pull-up	50	-	Kohm	To Vcc (equivalent resistance)
V disable	-	0.8	Volts	Referenced to Ground
V enable	2.0	-	Volts	Referenced to Ground
Output leakage $V_{OUT} = V_{CC}$	-20	+20	μ A	Pad 1 low, device disabled
	$V_{OUT} = 0V$	-20	+20	
Enable	-	10	nS	Time for output to reach a logic state
Disable time	-	10	nS	Time for output to reach a high Z state
Start up time	-	5	mS	Measured from the time Vcc = 3.0V
Operating Temperature Range	-10	+70	$^{\circ}$ C	Standard Temperature Range
	-40	+85	$^{\circ}$ C	Extended Temperature Range "E" Option
Storage Temperature Range	-55	+125	$^{\circ}$ C	

Specifications with E/D open circuit or connected to V_{CC}

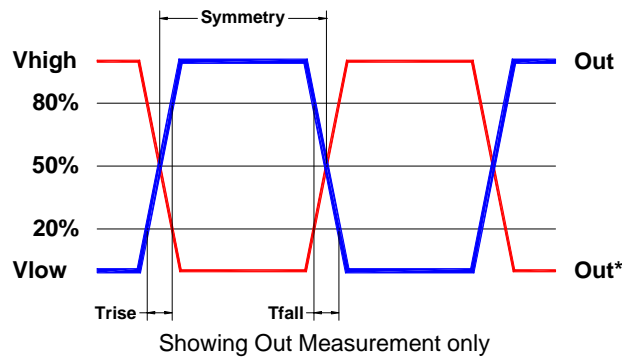
Typical Phase-Noise Response



Load Circuit



Test Waveform



Reliability: Environmental Compliance

Parameter	Condition
Mechanical Shock	MIL-STD-883 Method 2002, Condition B
Vibration	MIL-STD-883 Method 2007, Condition A
Solderability	MIL-STD-883 Method 2003
Thermal Shock	MIL-STD-883 Method 1011, Condition A

ESD Rating

Model	Minimum Voltage	Conditions
Human Body Model	1500	MIL-STD-883 Method 3115
Charged Device Model	1000	JESD 22-C101

Package Labeling

Label is 1" x 2.6" (25.4mm x 66.7mm)

Font is Courier New

Bar code is 39-Full ASCII

(The part number will show as LV96xx or LV98xx)

Label is 1" x 2.6" (25.4mm x 66.7mm)

Font is Arial

P/N:		
	LV9920DV-312.50M	
Customer P/N:		
	12345678	
Qty:		D/C 
	1000	7AA-BT

RoHS Compliant
2nd LvL Interconnect
Category=e4
Max Safe Temp=245C for 10s 2X Max

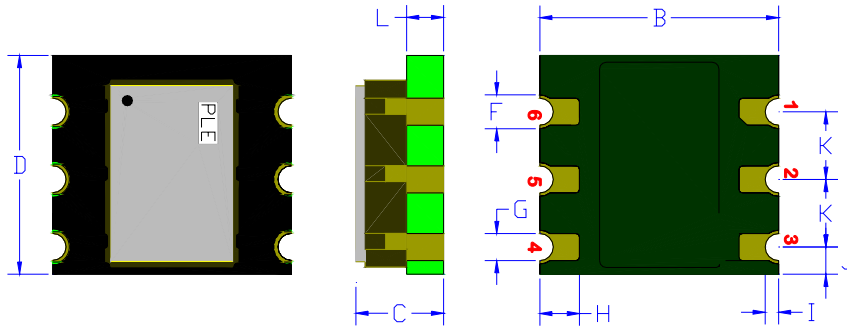
Layout and application information

For Optimum Jitter Performance, Pletronics recommends:

- a ground plane under the device
- no large transient signals (both current and voltage) should be routed under the device
- do not layout near a large magnetic field such as a high frequency switching power supply
- do not place near piezoelectric buzzers or mechanical fans.

As much ground plane and thermal paths that can be realized under and to the side of the part is desired.

Mechanical:



Label:
laser marked lettering

FR4 PCB Base:
Solder masked

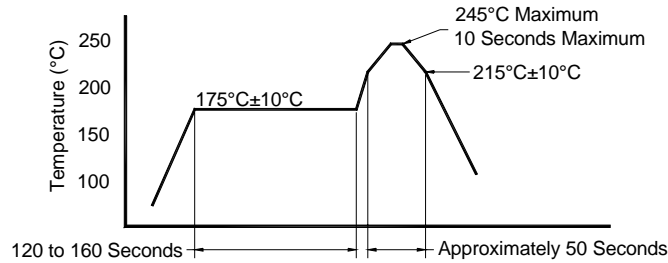
All via holes tented on bottom
Copper Clad 670 μ inch (17 μ m)
Nickel plated 118 μ inch (3 μ m)
Gold plated 0.8 μ inch (0.02 μ m)
Typical thicknesses

Pin 3 Ground plane is typical
Not to scale

	Inches	mm
B	0.356 \pm 0.005	9.04 \pm 0.13
C	0.126 \pm 0.005	3.21 \pm 0.13
D	0.324 \pm 0.005	8.23 \pm 0.13
F ¹	0.050	1.27
G ¹	0.040	1.02
H ¹	0.059	1.50
I ¹	0.020	0.51
J ¹	0.040	1.02
K ¹	0.100	2.54
L ¹	0.062	1.57

LV98 Pad	LV96 Pad	Function	Note
2	1	Output Enable/Disable	When this pad is not connected the oscillator shall operate. This is not a recommended condition!!!! When this pad is <0.80 volts, the output will be inhibited (High impedance state) Recommend connecting this pad to V _{CC} if the oscillator is to be always on.
1	2	No function	Recommend connecting this pad to ground. The is internal connection.
3		Ground (GND)	
4		Output	The outputs must be terminated, 100 ohms between the outputs is the ideal termination. Capacitor coupled terminations can be used.
5		Output*	
6		Supply Voltage (V _{CC})	Recommend connecting appropriate power supply bypass capacitors as close as possible.

Reflow Cycle (typical for lead free processing)



The part may be reflowed 2 times without degradation.

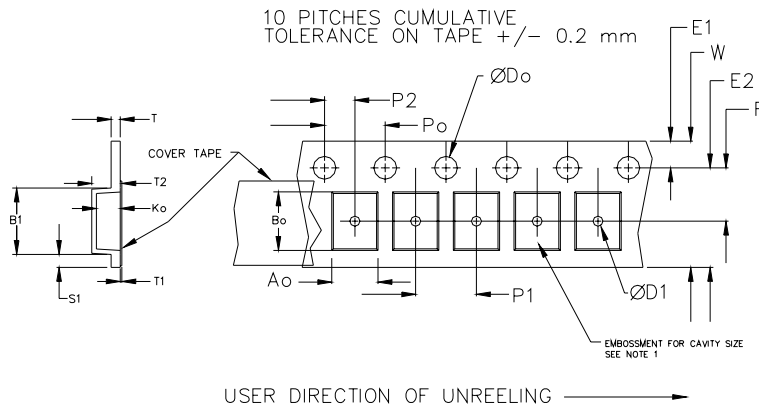
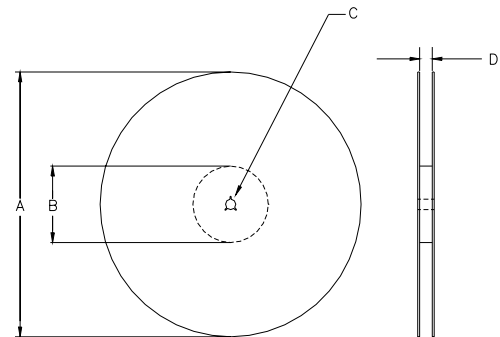
Allowed rate of temperature change
Maximum 4°C per second

Tape and Reel: available for quantities of 250 to 1000 per reel

Constant Dimensions Table 1								
Tape Size	D0	D1 Min	E1	P0	P2	S1 Min	T Max	T1 Max
8mm	1.5	1.0	1.75	4.0	2.0 ± 0.05	0.6	0.6	0.1
12mm		1.5			2.0 ± 0.1			
16mm		1.5			2.0 ± 0.1			
24mm		1.5			2.0 ± 0.1			

Variable Dimensions Table 2							
Tape Size	B1 Max	E2 Min	F	P1	T2 Max	W Max	Ao, Bo & Ko
24 mm	12.1	14.25	7.5 ± 0.1	16.0 ± 0.1	8.0	16.3	Note 1

Note 1: Embossed cavity to conform to EIA-481-B Dimensions in mm Not to scale



		REEL DIMENSIONS			
A	inches	7.0	10.0	13.0	Tape Width
	mm	177.8	254.0	330.2	
B	inches	2.50	4.00	3.75	Tape Width
	mm	63.5	101.6	95.3	
C	mm	13.0 +0.5 / -0.2			Tape Width
D	mm	---	---	24.4 +2.0 -0.0	

Reel dimensions may vary from the above



LV96/LV98 Series 3.3 V LVDS Clock Oscillators

January 2008

IMPORTANT NOTICE

Pletronics Incorporated (PLE) reserves the right to make corrections, improvements, modifications and other changes to this product at anytime. PLE reserves the right to discontinue any product or service without notice. Customers are responsible for obtaining the latest relevant information before placing orders and should verify that such information is current and complete. All products are sold subject to PLE's terms and conditions of sale supplied at the time of order acknowledgment.

PLE warrants performance of this product to the specifications applicable at the time of sale in accordance with PLE's limited warranty. Testing and other quality control techniques are used to the extent PLE deems necessary to support this warranty. Except where mandated by specific contractual documents, testing of all parameters of each product is not necessarily performed.

PLE assumes no liability for application assistance or customer product design. Customers are responsible for their products and applications using PLE components. To minimize the risks associated with the customer products and applications, customers should provide adequate design and operating safeguards.

PLE products are not designed, intended, authorized or warranted to be suitable for use in life support applications, devices or systems or other critical applications that may involve potential risks of death, personal injury or severe property or environmental damage. Inclusion of PLE products in such applications is understood to be fully at the risk of the customer. Use of PLE products in such applications requires the written approval of an appropriate PLE officer. Questions concerning potential risk applications should be directed to PLE.

PLE does not warrant or represent that any license, either express or implied, is granted under any PLE patent right, copyright, artwork or other intellectual property right relating to any combination, machine or process which PLE product or services are used. Information published by PLE regarding third-party products or services does not constitute a license from PLE to use such products or services or a warranty or endorsement thereof. Use of such information may require a license from a third party under the patents or other intellectual property of the third party, or a license from PLE under the patents or other intellectual property of PLE.

Reproduction of information in PLE data sheets or web site is permissible only if the reproduction is without alteration and is accompanied by associated warranties, conditions, limitations and notices. Reproduction of this information with alteration is an unfair and deceptive business practice. PLE is not responsible or liable for such altered documents.

Resale of PLE products or services with statements different from or beyond the parameters stated by PLE for that product or service voids all express and implied warranties for the associated PLE product or service and is an unfair or deceptive business practice. PLE is not responsible for any such statements.

Contacting Pletronics Inc.

Pletronics Inc.
19013 36th Ave. West
Lynnwood, WA 98036-5761 USA

Tel: 425-776-1880
Fax: 425-776-2760
E-mail: ple-sales@pletronics.com
URL: www.pletronics.com

Copyright © 2008, Pletronics Inc.