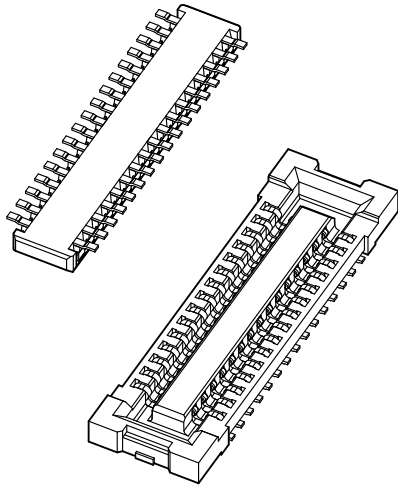


JAZN CONNECTOR

0.4mm pitch/ Board-to-board connectors



This is a space saving type board-to-board connector with 0.4 mm pitch, and distance between PC boards is 0.7 mm and product width is 2.5 mm.

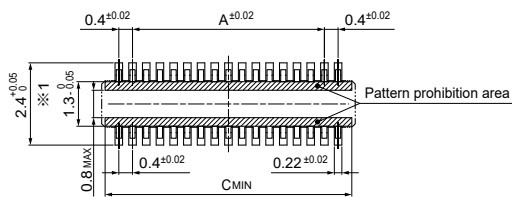
- Contact lock structure
- Two points contact structure
- Good wiping contact structure

Specifications

- Current rating: 0.3 A AC/DC
- Voltage rating: 50 V AC/DC
- Temperature range: - 40°C to +85°C
(including temperature rise in applying electrical current)
- Contact resistance: Initial value/ 70 mΩ max.
After environmental tests/ 100 mΩ max.
- Insulation resistance: 100 MΩ min.
- Withstanding voltage: 250 VAC/minute
- * In using the products, refer to "Handling Precaution for Terminal and Connector" described on our website (Technical documents of Product information page).
- * Contact JST for details.
- * RoHS2 compliance

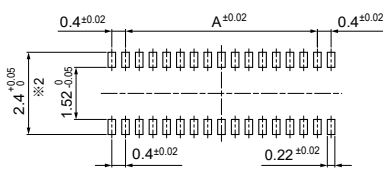
PC board layout

Plug



Recommended PC board layout

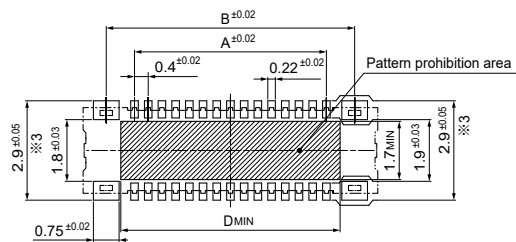
- Metal mask thickness: 100 μm



Recommended layout of metal mask

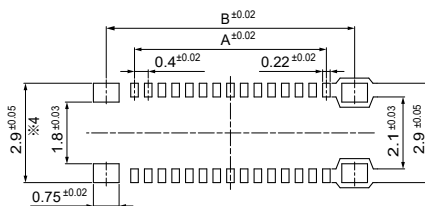
- *1. If repair is required, 3.0 ± 0.05 is recommended for this dimension.
- *2. When the dimension of *1 is applied, 3.0 ± 0.05 is recommended for this dimension.

Receptacle



Recommended PC board layout

- Metal mask thickness: 100 μm



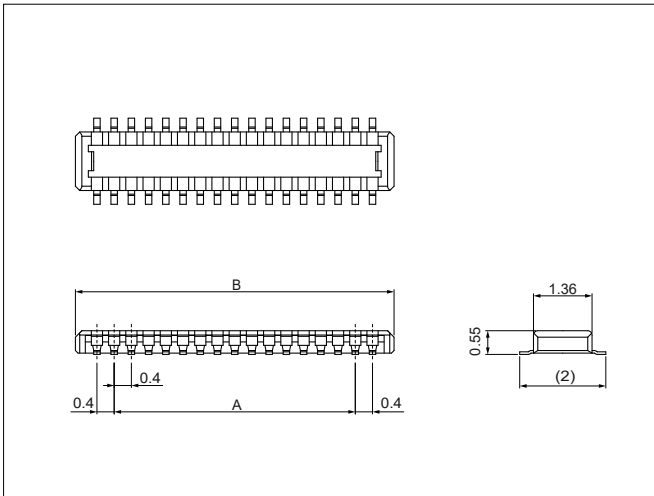
Recommended layout of metal mask

- *3. If repair is required, 3.0 ± 0.05 is recommended for this dimension.
- *4. When the dimension of *1 is applied, 3.0 ± 0.05 is recommended for this dimension.

- Note: 1. The above figure is the figure viewed from the connector mounting side.
 2. Tolerances are non-cumulative: ± 0.02 mm for all centers.
 The dimensions above should serve as a guideline. Contact JST for details.
 3. Contact JST for nitrogen (N2) reflow soldering.

JAZN CONNECTOR

Plug



No. of circuits	Model No.	Dimensions (mm)			Q'ty/ reel
		A	B	C	
30	30P-JAZNK-GSAN-ETF(HF)	5.6	7.4	7.2	18,000

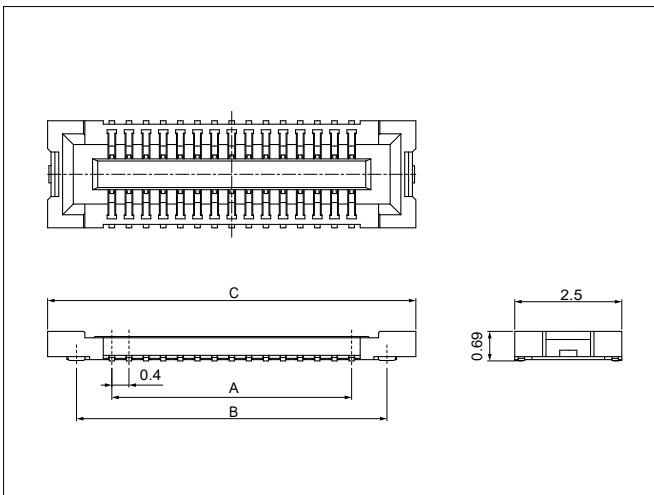
Material and Finish

Contact: Phosphor bronze, nickel-undercoated, gold-plated (nickel-stripe)
Housing: LCP

RoHS2 compliance

Note: The product listed above is supplied on embossed-tape.

Receptacle



No. of circuits	Model No.	Dimensions (mm)				Q'ty/ reel
		A	B	C	D	
30	30R-JAZNK-GSAN-ETF(HF)	5.6	7.25	8.6	6.4	15,000

Material and Finish

Contact: Phosphor bronze, nickel-undercoated, gold-plated (nickel-stripe)
Housing: LCP
Reinforcing tab: Brass, copper-undercoated, tin-plated (reflow treatment)

RoHS2 compliance

Note: The product listed above is supplied on embossed-tape.