

# Surge protection device - D-UFB-V11/BS-B - 2796121


Please be informed that the data shown in this PDF Document is generated from our Online Catalog. Please find the complete data in the user's documentation. Our General Terms of Use for Downloads are valid (<http://phoenixcontact.com/download>)



Attachment plug with surge protection for V.11 interface. Connection: D-SUB-15 socket/plug, installation in lines

RoHS

## Key Commercial Data

Packing unit	1 pc
GTIN	 4 017918 073312
GTIN	4017918073312

## Technical data

### Dimensions

Height	54.5 mm
Width	24.5 mm
Length	84.6 mm

### Ambient conditions

Ambient temperature (operation)	-40 °C ... 60 °C
Degree of protection	IP20

### General

Housing material	Aluminum
Color	black
Standards for clearances and creepage distances	VDE 0110-1
	IEC 60664-1
Mounting type	Connection-specific intermediate plugging
Type	Attachment plug
Direction of action	Line-Line & Line-Signal Ground/Shield & Signal Ground/Shield-Earth Ground

### Protective circuit

IEC test classification	C1
-------------------------	----

# Surge protection device - D-UFB-V11/BS-B - 2796121

## Technical data

### Protective circuit

	C2
	C3
	D1
VDE requirement class	C1
	C2
	C3
	D1
Maximum continuous voltage $U_C$	12 V DC
Nominal current $I_N$	175 mA (25 °C)
Operating effective current $I_C$ at $U_C$	$\leq 10 \mu\text{A}$
Residual current $I_{PE}$	$\leq 4 \mu\text{A}$
Nominal discharge current $I_n$ (8/20) $\mu\text{s}$ (line-line)	5 kA
Nominal discharge current $I_n$ (8/20) $\mu\text{s}$ (line-earth)	5 kA
Nominal discharge current $I_n$ (8/20) $\mu\text{s}$ (line-signal ground)	5 kA
Total surge current (8/20) $\mu\text{s}$	10 kA
Output voltage limitation at 1 kV/ $\mu\text{s}$ (line-line) spike	$\leq 22 \text{ V}$
Output voltage limitation at 1 kV/ $\mu\text{s}$ (line-earth) spike	$\leq 600 \text{ V}$
Output voltage limitation at 1 kV/ $\mu\text{s}$ (line-line) static	$\leq 22 \text{ V}$
Output voltage limitation at 1 kV/ $\mu\text{s}$ (line-earth) static	$\leq 600 \text{ V}$
Output voltage limitation at 1 kV/ $\mu\text{s}$ (line-signalground) static	$\leq 22 \text{ V}$
Residual voltage at $I_n$ (line-line)	$\leq 17 \text{ V}$
Residual voltage at $I_n$ (line-signalground)	$\leq 33 \text{ V}$
Voltage protection level $U_p$ (line-line)	$\leq 25 \text{ V}$ (C2 - 4 kV / 2 kA)
	$\leq 30 \text{ V}$ (C2 - 10 kV / 5 kA)
Voltage protection level $U_p$ (line-earth)	$\leq 700 \text{ V}$ (C2 - 10 kV / 5 kA)
Voltage protection level $U_p$ (line-signalground)	$\leq 30 \text{ V}$ (C2 - 4 kV / 2 kA)
Response time $t_A$ (line-line)	$\leq 1 \text{ ns}$
Response time $t_A$ (line-signalground)	$\leq 1 \text{ ns}$
Response time $t_A$ (line-earth)	$\leq 100 \text{ ns}$
Input attenuation aE, sym.	3.2 dB ( $\leq 1 \text{ MHz}$ )
	0.4 dB ( $\leq 600 \text{ kHz}$ )
Input attenuation aE, asym.	1.7 dB ( $\leq 1 \text{ MHz}$ )
	0.1 dB ( $\leq 600 \text{ kHz}$ )
Cut-off frequency $f_g$ (3 dB), sym. in 50 Ohm system	typ. 5 MHz
Cut-off frequency $f_g$ (3 dB), sym. in 600 Ohm system	typ. 500 kHz
Cut-off frequency $f_g$ (3 dB), asym. (PE) in 50 Ohm system	typ. 5 MHz
Cut-off frequency $f_g$ (3 dB), asym. (PE) in 600 Ohm system	typ. 500 kHz
Resistance per path	22 $\Omega$
Surge protection fault message	none
Impulse durability (line-line)	C2 - 10 kV / 5 kA

# Surge protection device - D-UFB-V11/BS-B - 2796121

## Technical data

### Protective circuit

Impulse durability (line-earth)	C2 - 10 kV / 5 kA
	D1 - 2.5 kA

### Connection data

Connection method	D-SUB-15
Connection method IN	D-SUB-15 socket
Connection method OUT	D-SUB-15 connector
Connection technology	V.11

### Standards and Regulations

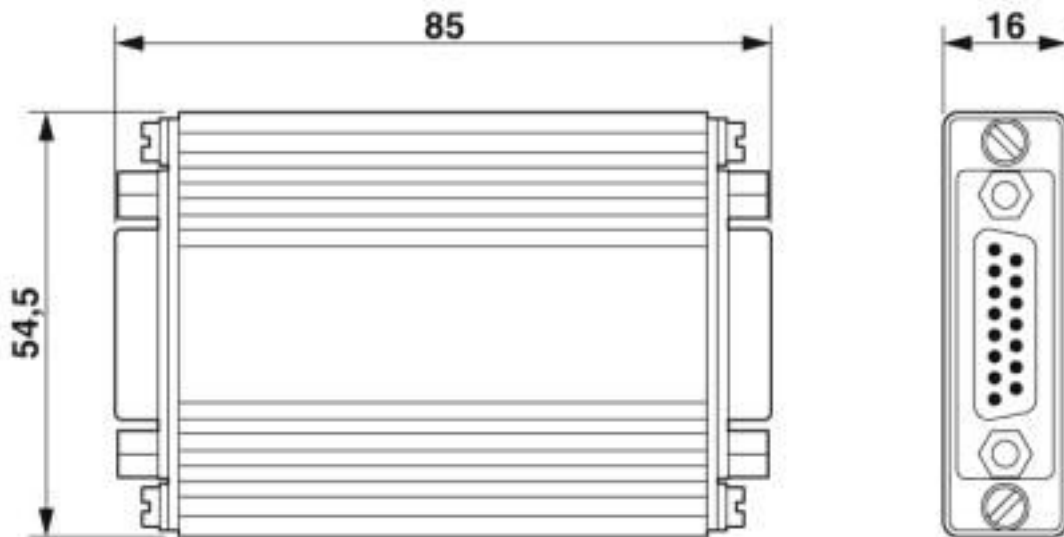
Standards/regulations	IEC 61643-21
Standards/specifications	IEC 61643-21 2000

### Environmental Product Compliance

REACH SVHC	Lead 7439-92-1
China RoHS	Environmentally Friendly Use Period = 50 years
	For details about hazardous substances go to tab "Downloads", Category "Manufacturer's declaration"

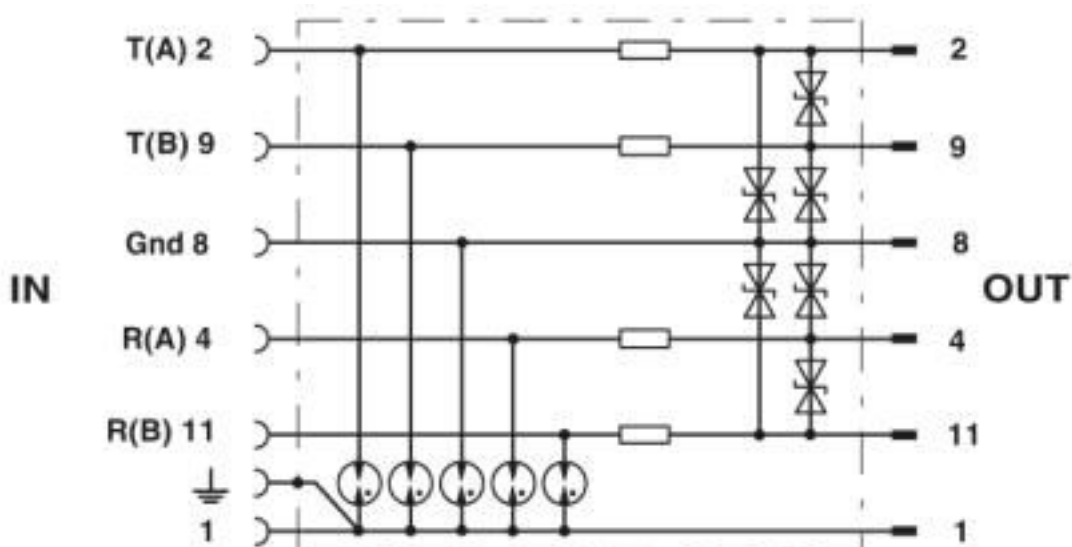
## Drawings

Dimensional drawing



# Surge protection device - D-UFB-V11/BS-B - 2796121

Circuit diagram



## Classifications

### eCl@ss

eCl@ss 10.0.1	27130807
eCl@ss 4.0	27130800
eCl@ss 4.1	27130800
eCl@ss 5.0	27130800
eCl@ss 5.1	27130800
eCl@ss 6.0	27130800
eCl@ss 7.0	27130807
eCl@ss 8.0	27130807
eCl@ss 9.0	27130807

### ETIM

ETIM 2.0	EC000943
ETIM 3.0	EC000943
ETIM 4.0	EC000943
ETIM 5.0	EC000943
ETIM 6.0	EC000943
ETIM 7.0	EC000943

### UNSPSC

UNSPSC 6.01	30212010
UNSPSC 7.0901	39121610
UNSPSC 11	39121610
UNSPSC 12.01	39121610
UNSPSC 13.2	39121620

# Surge protection device - D-UFB-V11/BS-B - 2796121

## Classifications

### UNSPSC

UNSPSC 18.0	39121620
UNSPSC 19.0	39121620
UNSPSC 20.0	39121620
UNSPSC 21.0	39121620

## Approvals

### Approvals

---

Approvals

EAC

---

Ex Approvals

---

### Approval details

EAC		RU C- DE.*09.B.00169
-----	---	-------------------------

---

Phoenix Contact 2020 © - all rights reserved  
<http://www.phoenixcontact.com>

PHOENIX CONTACT GmbH & Co. KG  
Flachsmarktstr. 8  
32825 Blomberg  
Germany  
Tel. +49 5235 300  
Fax +49 5235 3 41200  
<http://www.phoenixcontact.com>