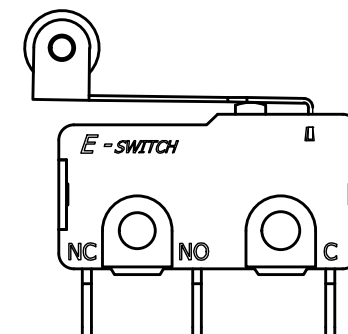
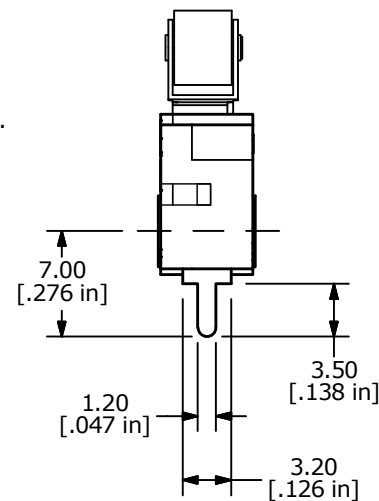
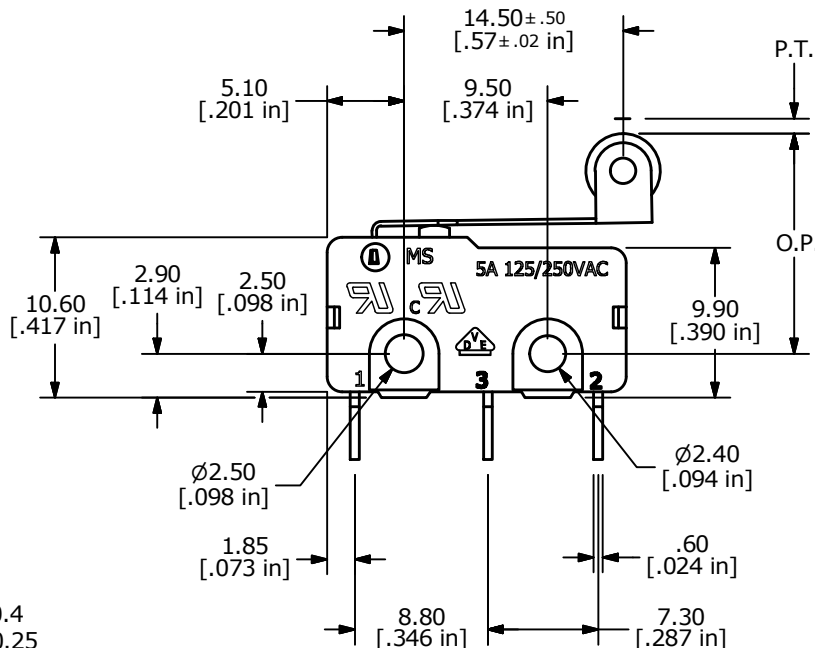
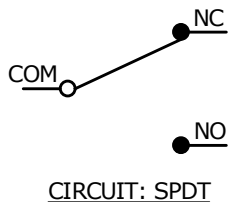


O.P. (MM)	P.T. (MM)
14.9±1.0	4.0 MAX

O.P. = OPERATING POINT  
P.T. = PRE-TRAVEL



- NOTES:
1. ALL DIMENSIONS IN MM [INCH]
  2. GENERAL TOLERANCE: X.X ± 0.4  
X.XX ± 0.25
  3. RATING: 5A @125/250VAC UL, CUL, VDE APPROVED
  - ▲ 4. OPERATING FORCE: 45 ± 20gf
  5. OPERATING TEMP: -25°C to 85°C
  6. ELECTRICAL LIFE: 50,000 CYCLES MIN.
  7. MECHANICAL LIFE: 1,000,000 CYCLES TYP.
  8. INSULATION RESISTANCE: 100 MEGA-OHMS @ 500VDC
  9. DIELECTRIC STRENGTH: 1000VAC 1 MINUTE (INITIAL VALUE)
  10. CONTACT RESISTANCE: 100 MILLI-OHMS MAX.
  11. 2011/65/EU (ROHS) COMPLIANT
  12. ▲ DENOTES CRITICAL PARAMETER.



A	23235	RELEASED FOR PRODUCTION	3/6/18	MW
REV	PCR NO	DESCRIPTION	DATE	BY

TITLE MS0850505F045P1A				
SCALE	DATE	DR	DWG	REV
2:1	3/6/2018	MW	Q970168	A

THE INFORMATION CONTAINED IN THIS DOCUMENT IS PROPRIETARY TO E-SWITCH AND IS NOT TO BE COPIED OR TRANSFERRED