



SELF-LEADED SMD INDUCTOR DR338 SERIES

Features

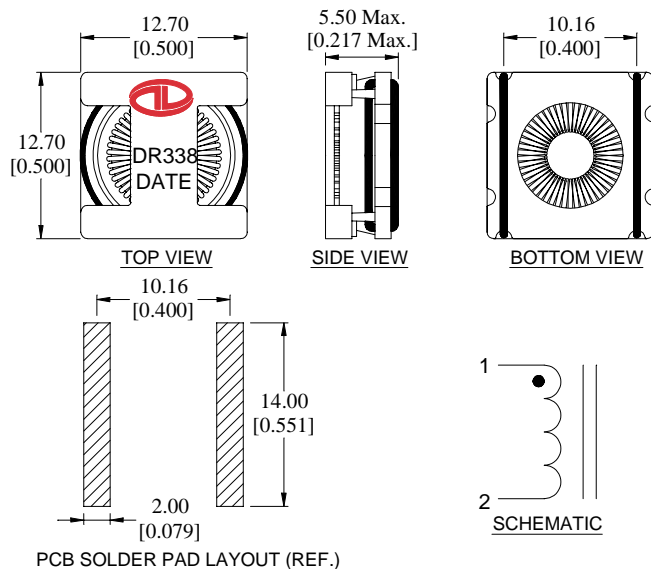
- Low Profile Surface Mount Design
- Flat Top for Pick and Place
- Inductance Range from 10 μ H to 470 μ H
- Operating Temp. -40°C to +85°C
- Tinned Leads with Leaded Solder is Available (note 3)



ELECTRICAL SPECIFICATIONS AT 25°C

PART No.	INDUCTANCE (μ H) $\pm 20\%$ @10kHz, 0.1V	DCR (Ω) Max.	RATED CURRENT (A) Nominal	E _{Top} @100kHz (V- μ Sec) Max.
DR338-100	10	0.03	3.6	15
DR338-140	14	0.04	3.2	18
DR338-180	18	0.05	2.8	20
DR338-200	20	0.06	2.6	22
DR338-250	25	0.07	2.4	24
DR338-330	33	0.10	2.0	28
DR338-470	47	0.14	1.7	32
DR338-560	56	0.15	1.65	37
DR338-680	68	0.16	1.6	40
DR338-820	82	0.22	1.3	44
DR338-101	100	0.35	1.2	49
DR338-141	140	0.40	1.0	55
DR338-151	150	0.45	0.9	59
DR338-181	180	0.50	0.9	63
DR338-201	200	0.60	0.8	67
DR338-221	220	0.70	0.8	71
DR338-271	270	0.88	0.65	78
DR338-331	330	1.00	0.65	85
DR338-471	470	1.50	0.53	99

MECHANICAL OUTLINES



NOTES:

1. All dimensions are shown in millimeters "mm" [inches "in"].
2. General Tolerance ± 0.25 mm [0.010 in.], unless otherwise specified.
3. For non-RoHS parts replace DR prefix with 42- (e.g. DR338 becomes 42-338).
4. Terminal finish is compliant to RoHS requirements. Solder in accordance with J-STD-020C.