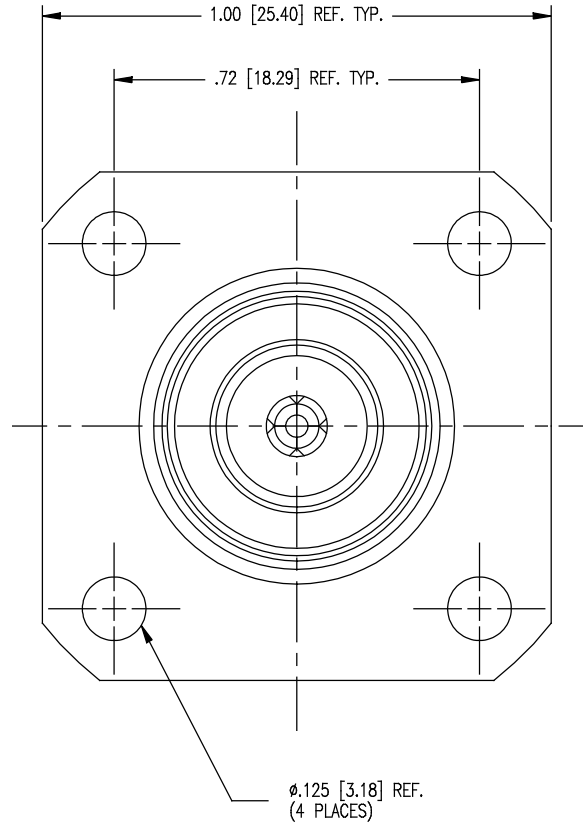
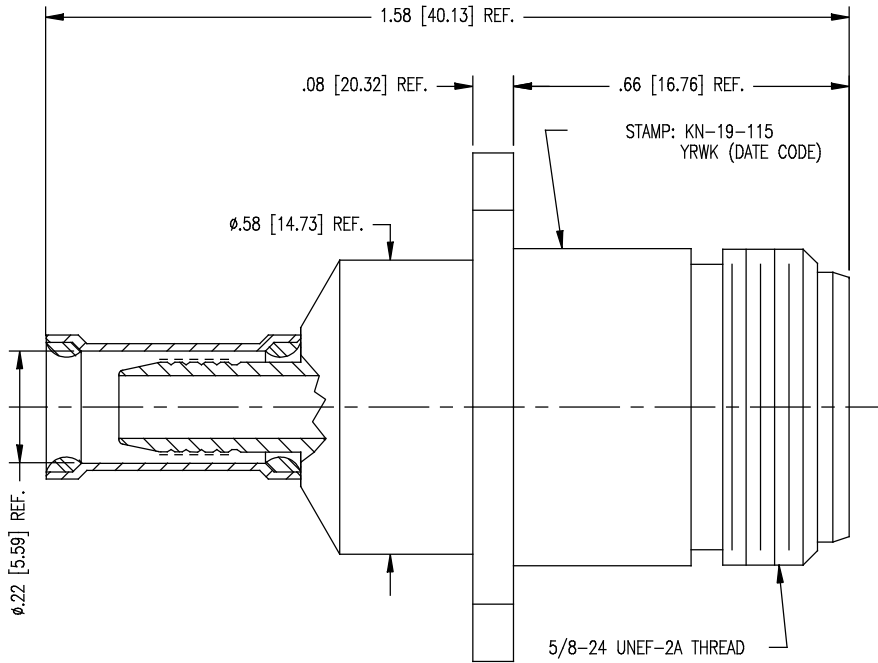


GSD

KN-19-115



NOTES:

1. FOR USE WITH RG-142, 223, & 400/U CABLE GROUPS.
2. FOR CABLING INSTRUCTIONS SEE CP-5406.
3. WEIGHT: .088 LB [40 g]
4. FOR FORMING USE CRIMP DIE SIZE 2101.
5. INTERFACE PER MIL-STD-348, FIG. 304-2.
6. FOR USE WITH .22 MAX PANEL.
7. CENTER CONTACT (1-534-81 MA9) SUPPLIED UNASSEMBLED.
8. MARK PACKAGE: KN-19-115 YRWK (DATE CODE)
9. MATERIALS:
 INSULATOR: TEFLON, ASTM-D4894
 K-GRIP SLEEVE: BRASS, ASTM-B16, H02
 CENTER CONTACT: BER. COP., ASTM-B-196
 ALL OTHER PARTS: BRASS, ASTM-B16
10. FINISHES:
 CENTER CONTACT: GOLD PLATE PER ASTM-B488.
 ALL OTHER METAL PARTS: KINGS TARNISH RESISTANT FINISH (TR-5)
11. ELECTRICAL CHARACTERISTICS:
 NOMINAL IMPEDANCE: 50 OHMS
 VOLTAGE RATING: 1000 VRMS
 FREQUENCY RANGE: DC TO 11 GHz

REVISIONS

ISSUE	CHANGES
2	CN 39859 E REDRAWN DCT 3/26/7

SCALE 4:1

APPROX SURFACE AREA

-

USED ON

REF:

N PANEL JACK

DRAWN DCT DATE 3/26/7

DESIGN DATE

APPR. DATE

KINGS
ELECTRONICS CO., INC.
ROCK HILL, SOUTH CAROLINA 29730

KN-19-115

GSD