

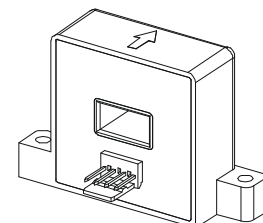
Current Transducer LA 50-S/SP1

$$I_{PN} = 50 \text{ A}$$

For the electronic measurement of currents : DC, AC, pulsed..., with a galvanic isolation between the primary circuit (high power) and the secondary circuit (electronic circuit).



0634



Electrical data

I_{PN}	Primary nominal r.m.s. current	50	A
I_P	Primary current, measuring range	0 .. ± 100	A
R_M	Measuring resistance	R_{Mmin} R_{Mmax}	
		with $\pm 15 \text{ V}$	@ $\pm 50 \text{ A}_{max}$ 0 330 Ω
			@ $\pm 100 \text{ A}_{max}$ 0 100 Ω
I_{SN}	Secondary nominal r.m.s. current	25	mA
K_N	Conversion ratio	1 : 2000	
V_C	Supply voltage ($\pm 5 \%$)	± 15	V
I_C	Current consumption	$10 + I_S$	mA

Features

- Closed loop (compensated) current transducer using the Hall effect
- Insulated plastic case recognized according to UL 94-V0.

Special features

- $I_P = 0 .. \pm 100 \text{ A}$
- $K_N = 1 : 2000$

Advantages

- Excellent accuracy
- Very good linearity
- Low temperature drift
- Optimized response time
- Wide frequency bandwidth
- No insertion losses
- High immunity to external interference
- Current overload capability.

Accuracy - Dynamic performance data

X_G	Overall accuracy @ $I_{PN}, T_A = 25^\circ\text{C}$	± 0.5	%
e_L	Linearity error	< 0.1	%
I_O	Offset current @ $I_P = 0, T_A = 25^\circ\text{C}$	Typ	Max
			± 0.1 mA
I_{OT}	Thermal drift of I_O - $10^\circ\text{C} .. + 70^\circ\text{C}$	± 0.2	± 0.4 mA
t_r	Response time ¹⁾ @ 90 % of I_{PN}	< 1	μs
di/dt	di/dt accurately followed	> 50	A/ μs
f	Frequency bandwidth (- 1 dB)	DC .. 150	kHz

Applications

- AC variable speed drives and servo motor drives
- Static converters for DC motor drives
- Battery supplied applications
- Uninterruptible Power Supplies (UPS)
- Switched Mode Power Supplies (SMPS)
- Power supplies for welding applications.

Application domain

- Industrial.

General data

T_A	Ambient operating temperature	- 10 .. + 70	$^\circ\text{C}$
T_S	Ambient storage temperature	- 25 .. + 85	$^\circ\text{C}$
R_S	Secondary coil resistance @ $T_A = 70^\circ\text{C}$	130	Ω
m	Mass	45	g
	Standards	EN 50178 : 1997	

Note : ¹⁾ With a di/dt of 50 A/ μs .

Current Transducer LA 50-S/SP1....

Isolation characteristics

V_d	R.m.s. voltage for AC isolation test, 50/60 Hz, 1 mn	4	kV
\hat{V}_w	Impulse withstand voltage 1.2/50 μ s	>7.4	kV
		Min	
dCp	Creepage distance	8.70	mm
dCI	Clearance distance	7.40	mm
CTI	Comparative Tracking Index (Group II)	400	

Application examples

According to EN 50178 and IEC 61010-1 standards and following conditions :

- Over voltage category OV 3
- Pollution degree PD2
- Non-uniform field

	EN 50178	IEC 61010-1
dCp, dCI, \hat{V}_w	Rated isolation voltage	Nominal voltage
Single isolation	600 V	600 V
Reinforced isolation	300 V	300 V

Safety



This transducer must be used in electric/electronic equipment with respect to applicable standards and safety requirements in accordance with the manufacturer's operating instructions.



Caution, risk of electrical shock

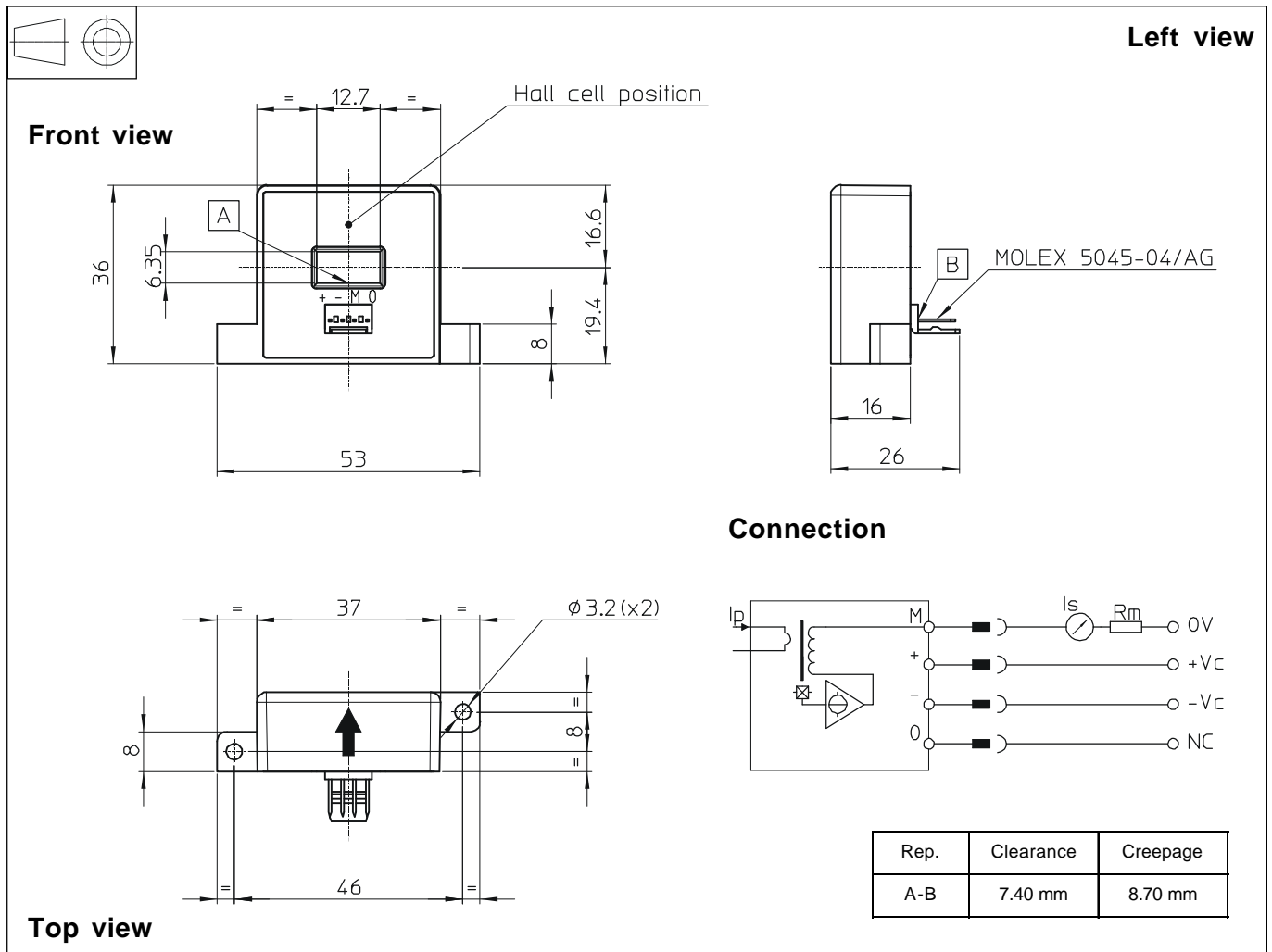
When operating the transducer, certain parts of the module can carry hazardous voltage (eg. primary busbar, power supply). Ignoring this warning can lead to injury and/or cause serious damage.

This transducer is a built-in device, whose conducting parts must be inaccessible after installation.

A protective housing or additional shield could be used.

Main supply must be able to be disconnected.

Dimensions LA 50-S/SP1 (in mm. 1 mm = 0.0394 inch)



Mechanical characteristics

- General tolerance ± 0.2 mm
- Transducer fastening 2 holes $\phi 3.2$ mm
2 M3 steel screws
- Recommended fastening torque 1.1 Nm or 0.80 Lb.-Ft.
- Primary through-hole 12.7 x 6.35 mm
- Connection of secondary Molex 5045-04/AG

Remarks

- I_s is positive when I_p flows in the direction of the arrow.
- Temperature of the primary conductor should not exceed 100°C.
- Dynamic performances (di/dt and response time) are best with a single bar completely filling the primary hole.
- In order to achieve the best magnetic coupling, the primary windings have to be wound over the top edge of the device.
- To measure nominal currents of less than 50 A, the optimum accuracy is obtained by having several primary turns (nominal current x number of turns < 50 At).