

PLEASE CHECK WWW.MOLEX.COM FOR LATEST PART INFORMATION

Part Number: [0942139015](#)
Status: **Active**
Overview: [rast 5 connector system](#)
Description: Housing for HNF Cayman Terminal, 5 Circuits

Documents:

[3D Model](#) [RoHS Certificate of Compliance \(PDF\)](#)
[Drawing \(PDF\)](#)

General

Product Family PCB Headers
 Series [94213](#)
 Application Wire-to-Board
 Overview [rast 5 connector system](#)
 Product Name RAST 5

Physical

Breakaway No
 Circuits (Loaded) N/A
 Circuits (maximum) 5
 Color - Resin Natural
 Glow-Wire Compliant No
 Material - Plating Mating Tin
 Material - Resin Nylon
 Number of Rows 1
 Orientation Vertical
 PC Tail Length (in) 0.000 In
 PC Tail Length (mm) 0.00 mm
 PCB Locator No
 PCB Thickness Recommended (in) 0.000 In
 PCB Thickness Recommended (mm) 0.00 mm
 Packaging Type Bag
 Pitch - Mating Interface (in) 0.197 In
 Pitch - Mating Interface (mm) 5.00 mm
 Pitch - Term. Interface (in) 0.197 In
 Pitch - Term. Interface (mm) 5.00 mm
 Polarized to Mating Part Yes
 Polarized to PCB No
 Shrouded No
 Stackable No
 Surface Mount Compatible (SMC) No
 Temperature Range - Operating -40°C to +105°C
 Termination Interface: Style Through Hole

Electrical

Current - Maximum per Contact 25A

Material Info

Reference - Drawing Numbers

Sales Drawing SD-94213-014

EU RoHS
ELV and RoHS
Compliant
REACH SVHC
 Not Reviewed
Halogen-Free
Status
Not Reviewed

China RoHS

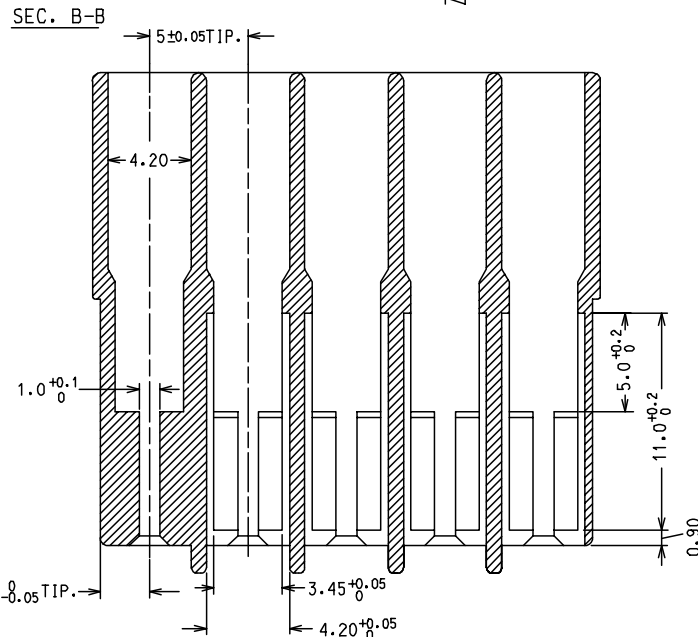
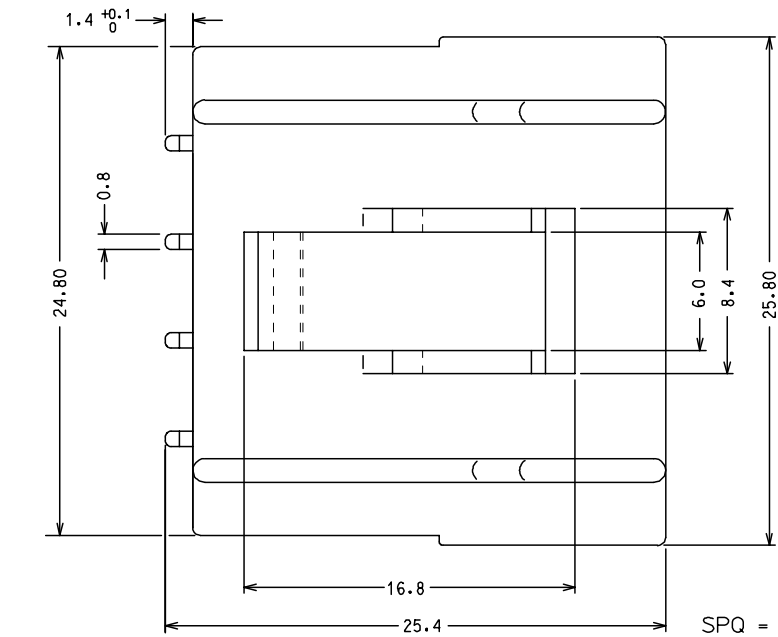
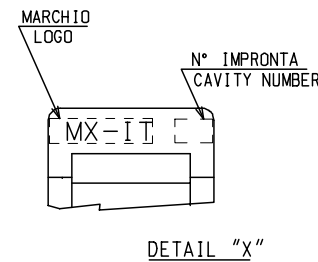
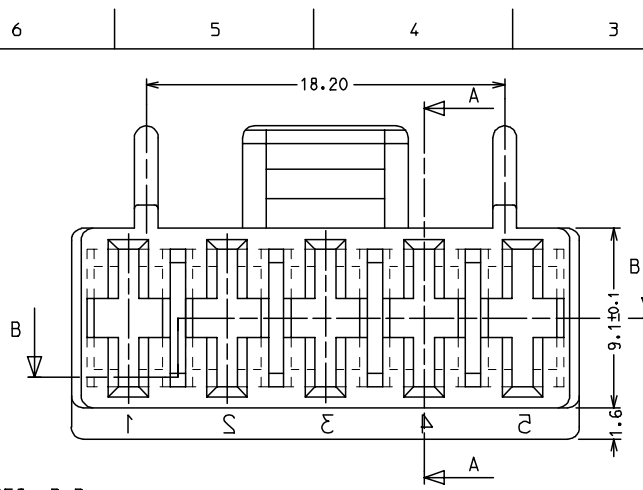
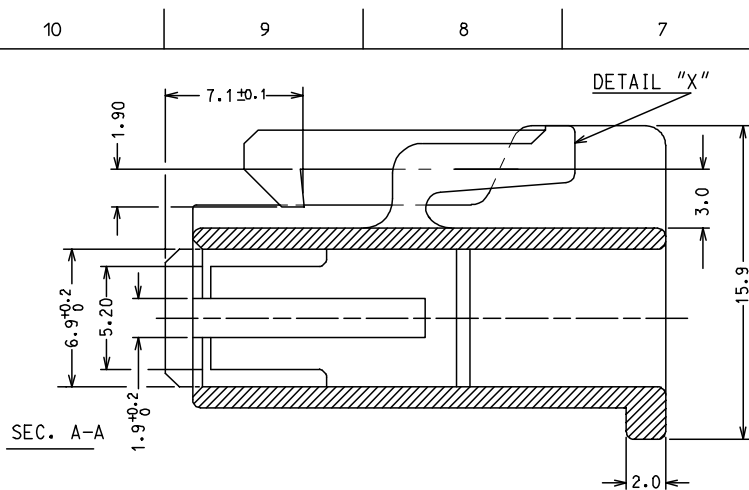


Need more information on product environmental compliance?

Email productcompliance@molex.com
 For a multiple part number RoHS Certificate of Compliance, [click here](#)

Please visit the [Contact Us](#) section for any non-product compliance questions.

Search Parts in this Series
[94213Series](#)



MATERIALE: NYLON 6.6 V2
 MATERIAL: NYLON 6.6 V2

CONFEZIONE: BOX DA 4000 pz.
 PACKAGING: CARDBOARD BOXES
 4000 pcs/ea

SPQ = 4000 pz

Std. Descr.: "5 CKT HOUSING FOR HNF TERMINAL"

ENTER DESCRIPTION EC NO: Z2007-0187 DRWN:FGOTTARDO 2007/05/14 CHKD:LSANTESSO 2007/05/14 APPR:GZUIN 2007/05/17	QUALITY SYMBOLS ▽=0 ◻=0	GENERAL TOLERANCES (UNLESS SPECIFIED)		DIMENSION STYLE MM ONLY		SCALE 1:4	DESIGN UNITS METRIC	FIRST ANGLE PROJECTION		
				DRAWN BY FGOTTARDO		DATE 1995/04/20		TITLE 5 CKT HOUSING FOR HNF (CAYMAN) TERMINAL		
				CHECKED BY		DATE		APPROVED BY MPREVIATO		
				APPROVED BY MPREVIATO		DATE 1995/04/20		MOLEX INCORPORATED		
A	REV	DRAFT WHERE APPLICABLE MUST REMAIN WITHIN DIMENSIONS		MATERIAL NO. 94213-9015		DOCUMENT NO. SD-94213-014		SHEET NO. 1 OF 1		