

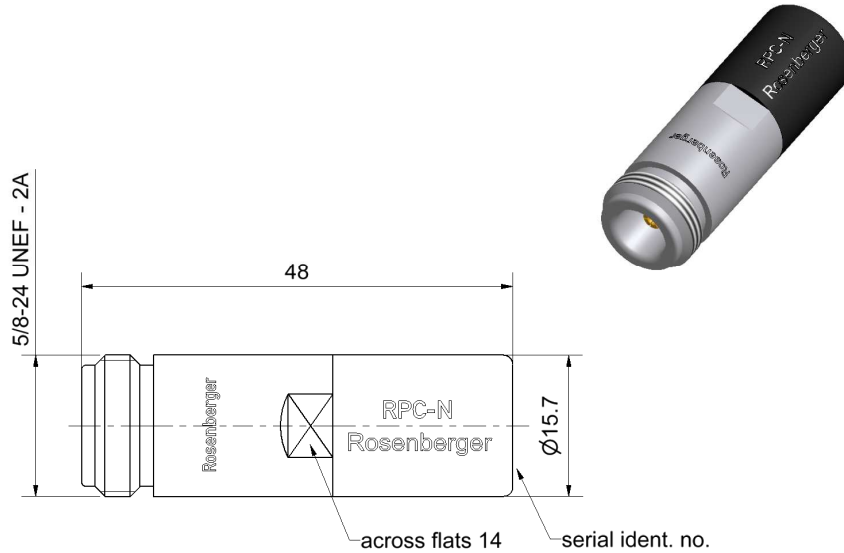
Technical Data Sheet

Rosenberger

RPC-N
50 Ω

Termination
Jack

05K150-010S3



All dimensions are in mm; tolerances according to ISO 2768 m-H

Interface

According to

IEC 61169-16

Documents

N/A

Material and plating

Connector parts

Center conductor
Outer conductor
Dielectric
Substrate

Material

CuBe
Stainless steel
PPE
Al₂O₃

Plating

Gold, min. 1.27 μm, over nickel
Passivated

Technical Data Sheet

Rosenberger

RPC-N
50 Ω

Termination
Jack

05K150-010S3

Electrical data

Frequency range	DC to 18 GHz
Return loss	≥ 28 dB, DC to 18 GHz
DC Resistance	50 Ω ± 0.25 Ω
Power handling	≤ 1 W

Mechanical data

Mating cycles	≥ 500
Maximum torque	1.70 Nm
Recommended torque	1.10 Nm
Gauge	5.18 mm to 5.26 mm

Environmental data

Operating temperature range	-40 °C to +85 °C
Storage temperature range	-40 °C to +85 °C
RoHS	compliant

Packing

Standard	1 pce in box
Weight	49.8 g/pce

While the information has been carefully compiled to the best of our knowledge, nothing is intended as representation or warranty on our part and no statement herein shall be construed as recommendation to infringe existing patents. In the effort to improve our products, we reserve the right to make changes judged to be necessary.

Draft	Date	Approved	Date	Rev.	Engineering change number	Name	Date
Kerstin Herzog	02/08/04	Lars Ramtke	19/03/15	e00	15-0329	Marion Striegler	19/03/15

Rosenberger Hochfrequenztechnik GmbH & Co. KG P.O.Box 1260 D-84526 Tittmoning Germany www.rosenberger.de	Tel. : +49 8684 18-0 Email : info@rosenberger.de	Page 2 / 2
--	---	---------------