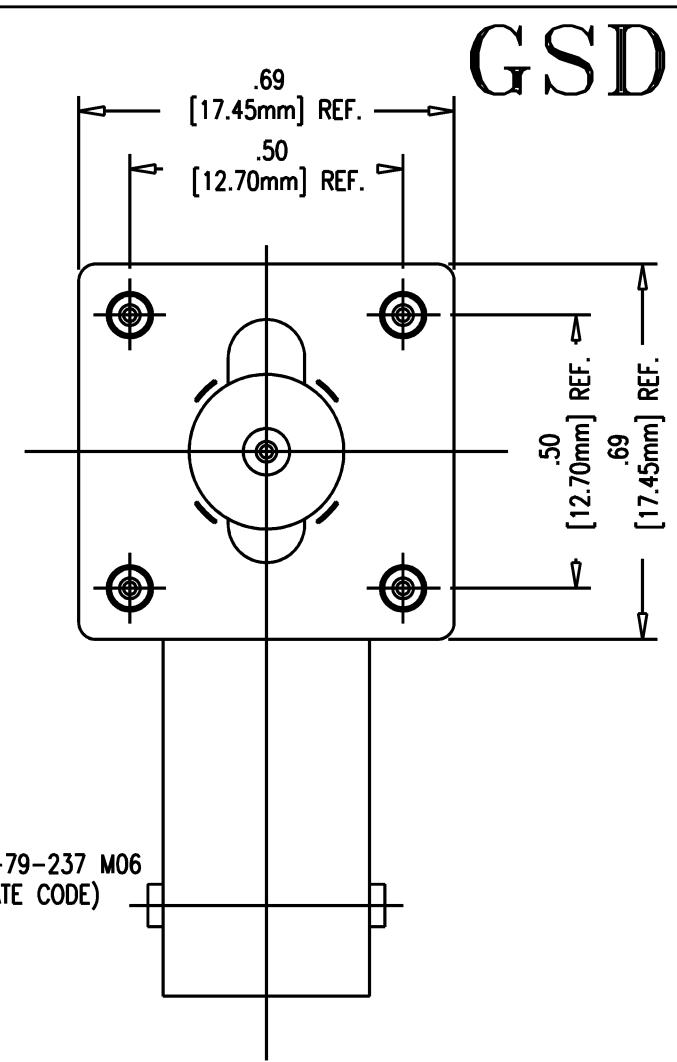
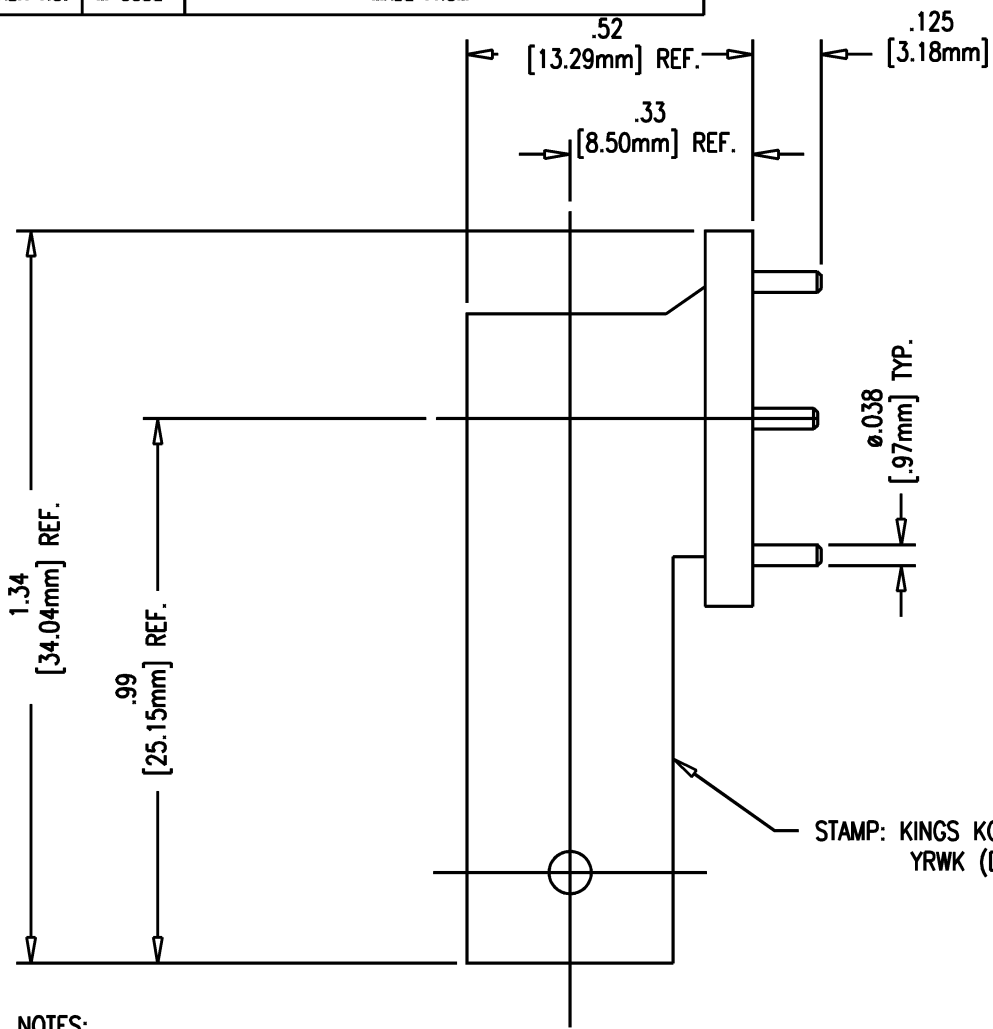


DASH NO.	M CODE	MADE FROM
----------	--------	-----------



STAMP: KINGS KC-79-237 M06  
YRWK (DATE CODE)

GSD

GSD

KC-79-237 M06

REVISIONS

ISSUE	CHANGES
0	ER 23963 JEP 11/03/82
1	CN 38677 C BDH 10/04/02
2	CN 38696 C BDH 10/21/02

NOTES:

- MAX. PC BOARD THICKNESS - 1/16"
- MATERIALS:  
INSULATORS-TEFLON, ASTM-D-1457  
BODY-ZINC ALLOY, ZAMAK 7  
CENTER CONTACT-BER. COP., ASTM-B-196, C17300  
MOUNTING PINS AND RETAINING RING-BRASS, ASTM-B-16
- FINISHES:  
CENTER CONTACT AND MOUNTING PINS-SILVER PLATE, QQ-S-365  
BODY AND RETAINING RING-BRIGHT NICKEL PLATE.

SCALE	4:1	
APPROX SURFACE AREA		
USED ON		
REF:	APOLLO COMP, INC. PO NO. 5849	
BNC ANGLE, P.C. RECEPTACLE		
DRAWN	JEP	DATE 11/03/82
DESIGN		DATE
APPR.	LI	DATE 11/03/82
 ROCK HILL, SOUTH CAROLINA 29730		
KC-79-237 M06		