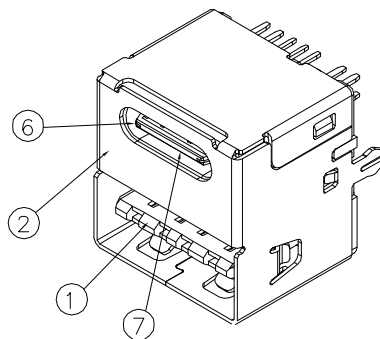
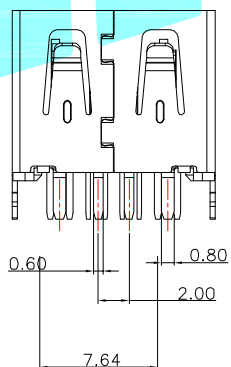
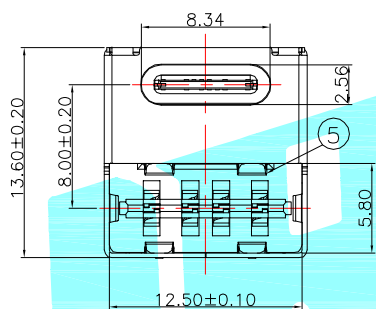
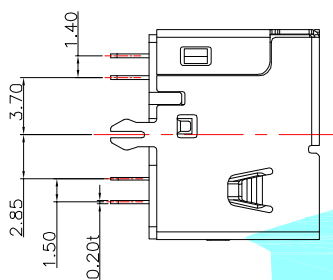


Recommended P.C.B Layout

Tolerance: ±0.05



SPECIFICATION:

1. CURRENT RATING:
 - a:TYPE-C: 8.0A MAX
 - b:USB2.0: 5.0A MAX
2. Withstanding Voltage: 100V AC
3. TEMPERATURE RANGE: -30 °C ~ 85 °C
4. CONTACT RESISTANCE: 40 MILLIONHM MAX
5. INSULATION RESISTANCE: 100 MEGOHMS
6. INSERTION FORCE : 5N~20N
7. UNMATING FORCE: 8N~20N (1~1000次)
6N~20N (10000次之后)
8. DURABILITY: 10,000 CYCLES

NO.	DESCRIPTION	MATERIAL	COLOR	REMARK
7	TYPE C MD	HIGH TEMP	BLACK	UL 94V-0
6	CENTER PIECE	STAINLESS STEEL	—	NO Plated
5	TYPE C TERMINAL	COPPER ALLOY	—	Gold Plated
4	CLIP	SEE NOTE	—	Ni Plated
3	USB TERMINAL	COPPER ALLOY	—	Gold Plated
2	SHELL	SEE NOTE	—	Ni Plated
1	HOUSING	HIGH TEMP	BLACK	UL 94V-0

APPROVALS		DATE	HROELECTRONICS CO.,LTD			
DRAWN	JKN.LU	2017.11.27	TITLE:		USB CONNECTOR	
CHECKED			PART NO.		TYPE-C-31-M-11	
APPROVALS			UNIT: mm	SCALE: 1:1	PROJ:	
TOLERANCES ARE		30~以上: ±0.30	ANGLE	±2'	DRAWING NO.	
		10~30: ±0.25			SHEET 1 OF 1	
		5~10: ±0.20				
		~ 5: ±0.15				

ECN NO.	REV.	DATE.	DESCRIPTION.	CHANGE.	CHECK.	APPRO.
	A		NEW			