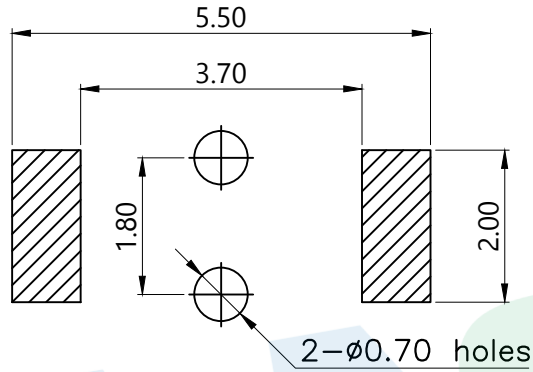
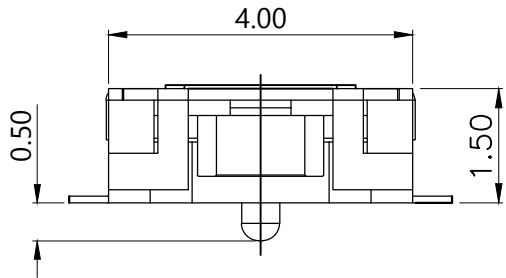
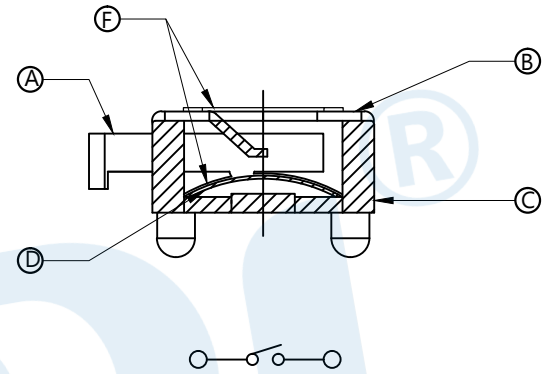


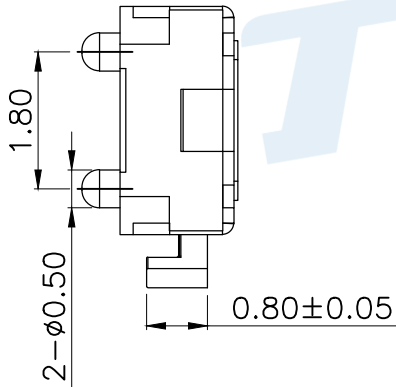
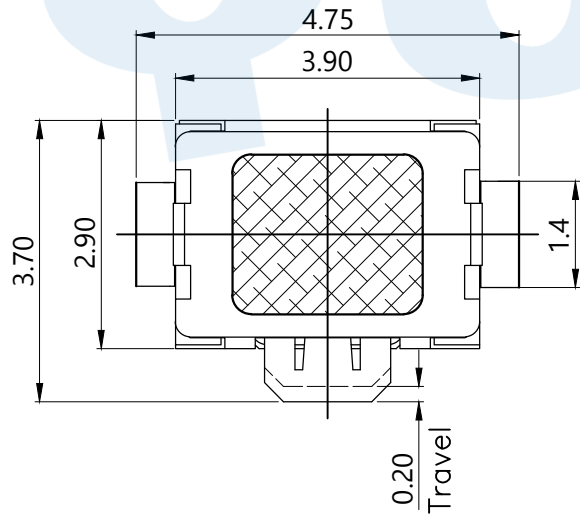
RoHS



PCB Layout(Pattern side)



Circuit Diagram



PART NO.
TS-1066B
TS-1066BS

SHRAPNEL	
CODE	MATERIAL/QTY
D2	SUS/1PCS
D4	SUS/2PCS

OPERATING FORCE	
CODE	VIGOR
B2	180±30gf
B3	250±30gf

NO.	Name	Number	Qty	Materil	Remarks
ⓕ	Dust film	/	1	Polyimide tape	/
ⓔ	Terminal	/	2	Phosphorus copper	Silvering
ⓓ	Reed	/	1	SUS	Silver covered
ⓒ	Base	/	1	LCP	Black
ⓑ	Cover	/	1	SUS	Silvering
Ⓐ	Button	/	1	PA46	Black

**YUANDI®** Yuandi Electronics Co, Ltd

design	date	name	TACT SWITCHS
Review	date	name	TS-1066B-B□D□
Approved	date	name	

angle	±2'								
10~30	±0.30								
5~10	±0.20								
~ 5	±0.10								
modify	Review	Approved	Tolerance not specified	Proportion	1:1	unit	mm	gape number	