

PLEASE CHECK WWW.MOLEX.COM FOR LATEST PART INFORMATION

Part Number: [0019092049](#)
Status: **Active**
Overview: [standard_093](#)
Description: 2.36mm (.093") Diameter Standard .093" Pin and Socket Plug Housing With Positive Latch, UL 94V-2, 4 Circuits

Documents:

[3D Model](#) [Drawing \(PDF\)](#)
[Packaging Specification \(PDF\)](#) [RoHS Certificate of Compliance \(PDF\)](#)

Agency Certification

CSA LR19980
TUV R72081037
UL E29179

General

Product Family Crimp Housings
Series [3191](#)
Comments Polarized to Mating Part, Without Mounting Ears
Overview [standard_093](#)
Product Name Standard .093"

Physical

Breakaway No
Circuits (maximum) 4
Circuits Detail 2x2
Color - Resin Natural
Flammability 94V-2
Gender Dual
Glow-Wire Compliant No
Keying to Mating Part None
Lock to Mating Part Yes
Material - Resin Nylon
Number of Rows 1
Packaging Type Bag
Panel Mount No
Pitch - Mating Interface (in) 0.264 In
Pitch - Mating Interface (mm) 6.71 mm
Polarized to Mating Part Yes
Stackable No
Temperature Range - Operating -40°C to +105°C

Electrical

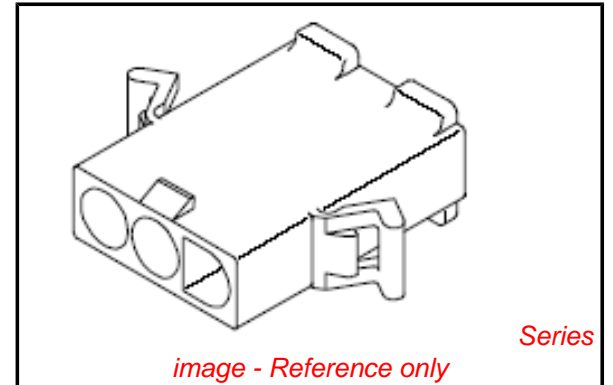
Current - Maximum per Contact 9A

Material Info

Old Part Number 3191-4P1

Reference - Drawing Numbers

Packaging Specification PK-3191-001
Sales Drawing SD-3191-4*



EU RoHS

**ELV and RoHS
Compliant**
**REACH SVHC
Not Reviewed**
**Halogen-Free
Status
Not Reviewed**

China RoHS



**Need more information on product
environmental compliance?**

Email productcompliance@molex.com
For a multiple part number RoHS Certificate of Compliance, [click here](#)

Please visit the [Contact Us](#) section for any non-product compliance questions.

Search Parts in this Series

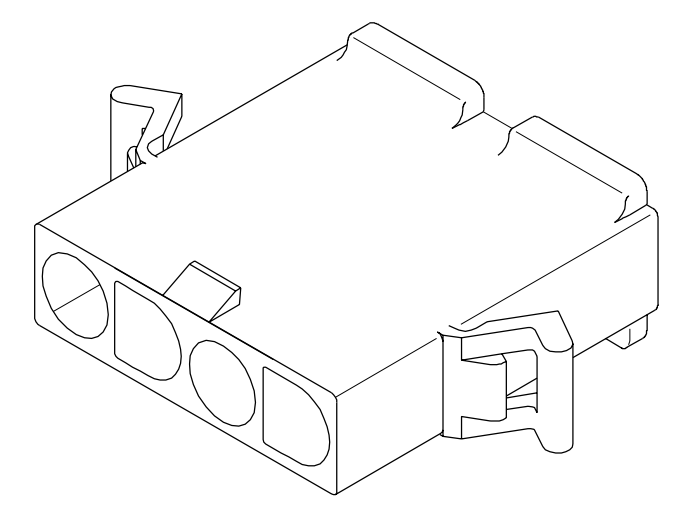
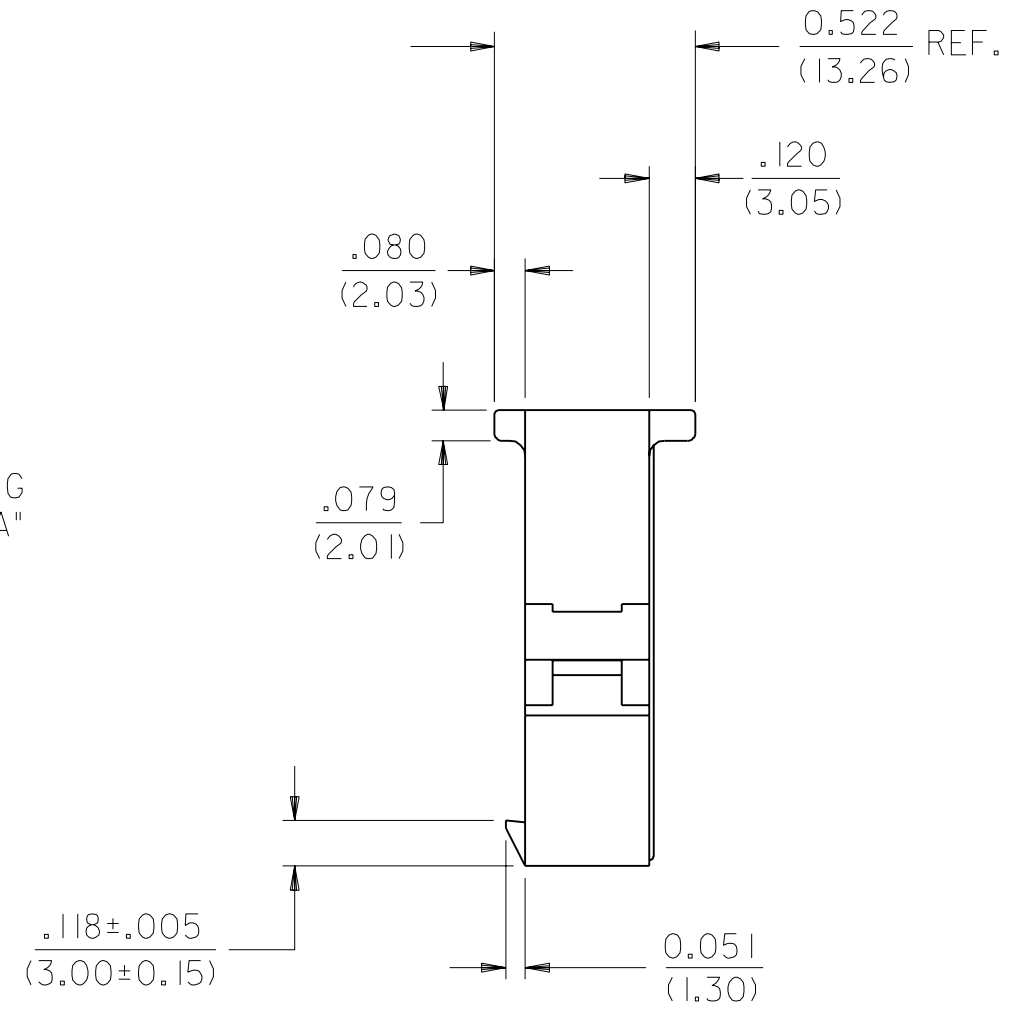
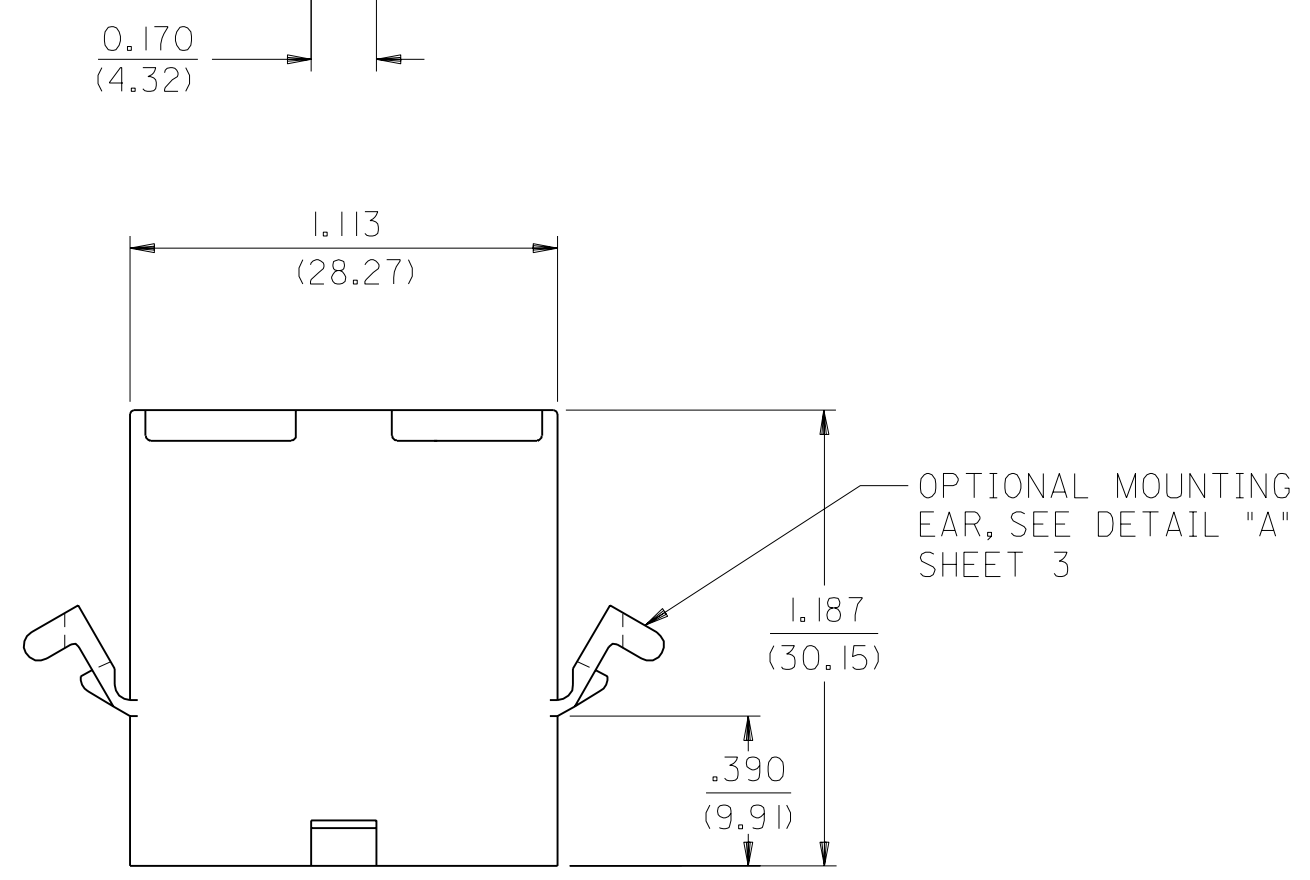
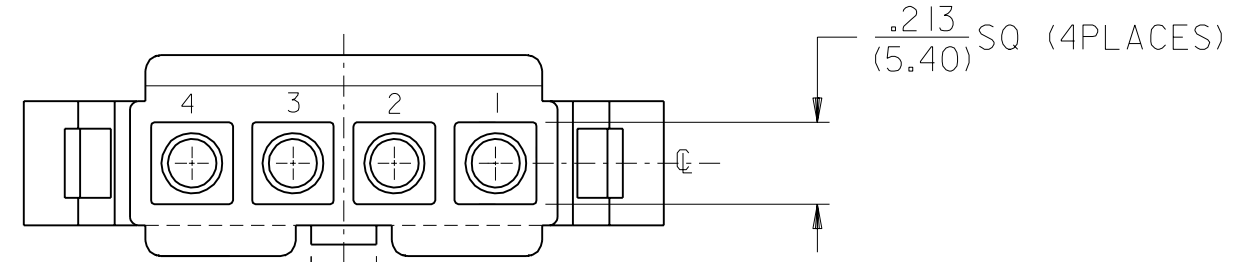
[3191Series](#)

Mates With

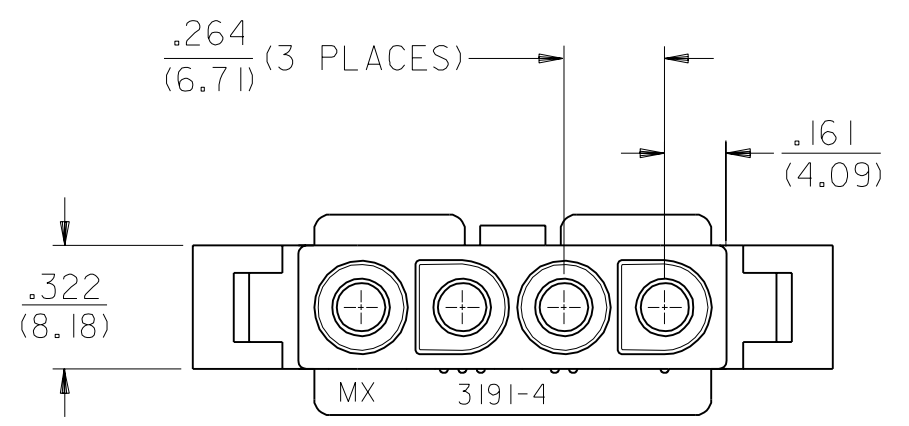
[3191](#) Pin and Socket Rectacle, [5219](#) Vertical PCB Header

Use With

[1189](#) Crimp Terminals, [1190](#) Crimp Terminals, [1380](#) Male Crimp Terminals, [1381](#) Female Crimp Terminals, [1433](#) Crimp Terminals, [1434](#) Male Crimp Terminals, [2605](#) , [2606](#) , [1973](#) , [2151](#) , [2273](#) , [2870](#) , [2871](#) , [4272](#) , Lin



PLUG HOUSING



| | |
|---|----|
| 3 | J3 |
| 2 | J3 |
| 1 | J3 |

| | | | | | | | |
|---|-------------------------------|--|--|---|--|---|--------------------|
| REDRAWN ON CAD EC NO. UCR1998-0254 DRWN: J. WANG 00/06/07 CHK: WIRKUS 00/06/07 APPR: R. EDGLEY 00/06/07 | QUALITY SYMBOLS | GENERAL TOLERANCES: (UNLESS SPECIFIED) | SCALE 2 : 1 | DESIGN UNITS <input type="checkbox"/> mm <input checked="" type="checkbox"/> INCH | THIRD ANGLE PROJECTION <input checked="" type="checkbox"/> | DIMENSIONS: <input type="checkbox"/> mm <input checked="" type="checkbox"/> INCH <input type="checkbox"/> mm ONLY | SHT REV |
| | MAJOR $\nabla=0$ | 4 PLACES $\pm 0.---$ $\pm .---$ | mm INCH | DRAWN BY & DATE | TITLE: .093/(2.36) HOUSINGS | | |
| | CRITICAL $\nabla c=0$ | 3 PLACES $\pm 0.---$ $\pm .010$ | | CHECKED BY & DATE | PLUG AND RECEPTACLE | | |
| | | 2 PLACES ± 0.25 $\pm .015$ | | WIRKUS 98/08/24 | 4-CKTS, .264/(6.70) CTRS | | |
| | 1 PLACE ± 0.38 $\pm .---$ | | APPROVED BY & DATE | MOLEX INCORPORATED | | | REVISE ON CAD ONLY |
| | | ANGULAR: $\pm 1^\circ$ | R. EDGLEY 98/08/24 | CAD FILENAME | MATERIAL NO. | DRAWING NO. | SHEET NO. |
| J3 | | | | S3191401.DGN | SEE SHT. 3 | SD -3191 -4* | 1 OF 3 |
| | | DRAFT WHERE APPLICABLE MUST REMAIN WITHIN DIMENSIONS | THIS DRAWING CONTAINS INFORMATION THAT IS PROPRIETARY TO MOLEX INCORPORATED AND SHOULD NOT BE USED WITHOUT WRITTEN PERMISSION. | | | | SIZE C |

| PLUG | |
|------------|------------|
| PART NO. | ENG. NO. |
| 19-09-2048 | 3191-4P |
| 19-09-2049 | 3191-4P1 |
| 19-09-2047 | 3191-4P-A |
| 19-09-2046 | 3191-4P1-A |

| RECEPTACLE | |
|------------|------------|
| PART NO. | ENG. NO. |
| 19-09-1049 | 3191-4R1 |
| 19-09-1046 | 3191-4R1-A |

LEGEND

3191-4***-*

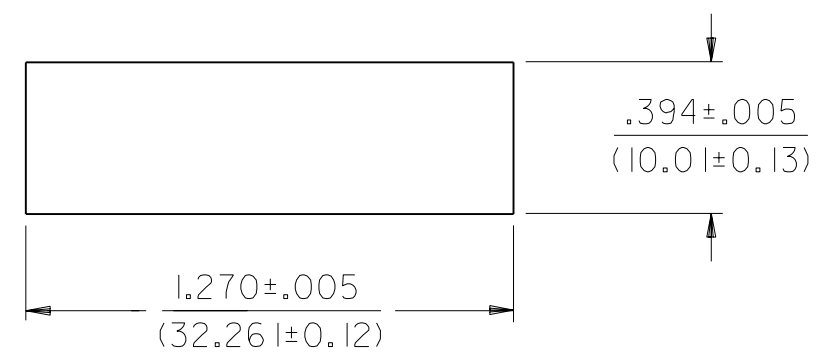
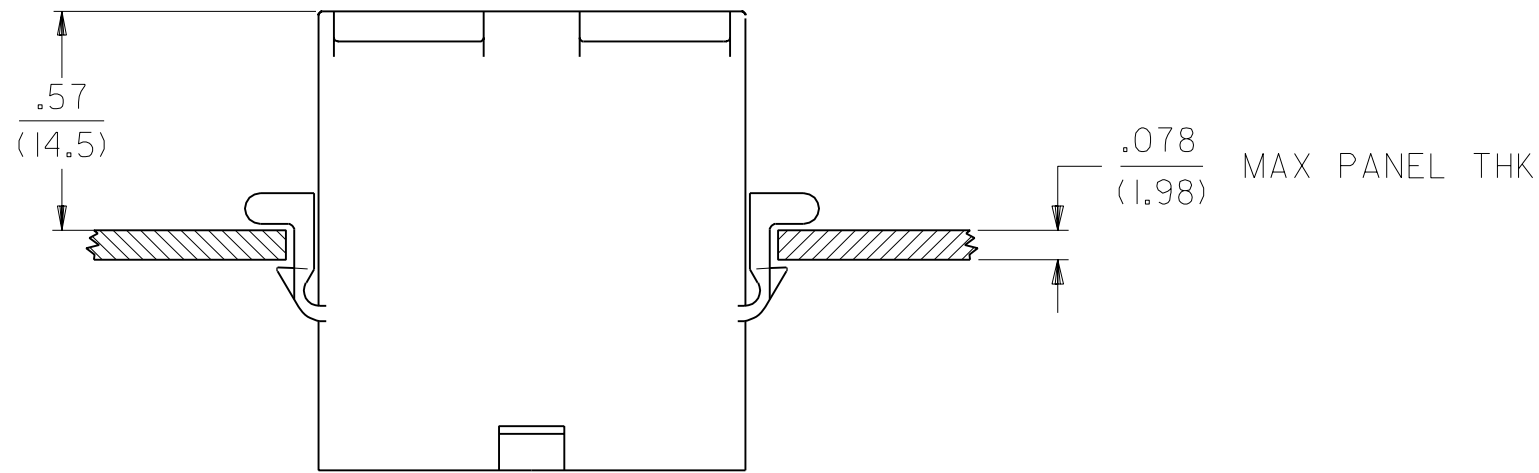
CIRCUIT SIZE

P = PLUG
R = RECEPTACLE

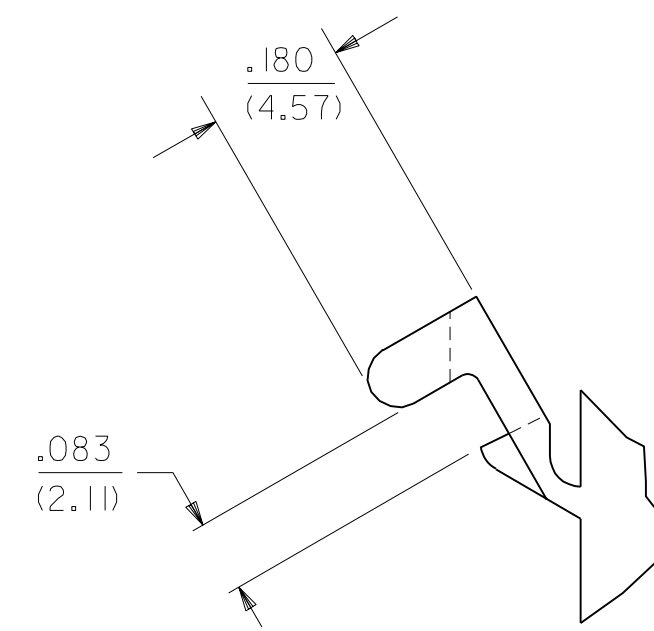
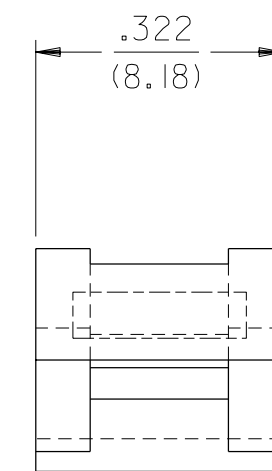
EARS: BLANK = WITH PREBENT EARS (PLUG ONLY)
I = WITHOUT EARS

COLOR: BLANK = NATURAL COLOR
AM=AMBER BK=BLACK BU=BLUE
BN=BROWN GY=GRAY GN=GREEN
OR=ORANGE RD=RED YW=YELLOW
COLORS AVAILABLE ONLY IN 94V-2 MATERIAL

MATERIAL: BLANK=NYLON TYPE 6/6, 94V-2 COLOR:NATURAL
A=NYLON TYPE 6/6, 94V-0 COLOR:WHITE



RECOMMENDED HOLE CUTOUT



DETAIL "A"
.093/(2.36) PREBENT MOUNTING EAR
(SCALE 4:1)

| | | | | | | |
|---|--|---|--|--|---|--------------------|
| EC NO. UCR1998-0254 DRWN: J.WANG 00/06/07 CHK: B.WIRKUS 00/06/07 APPR: R.EDGLEY 00/06/07 | QUALITY SYMBOLS MAJOR $\nabla=0$ CRITICAL $\nabla C=0$ | GENERAL TOLERANCES: (UNLESS SPECIFIED) | SCALE 2 : 1 DESIGN UNITS <input type="checkbox"/> mm <input checked="" type="checkbox"/> INCH | THIRD ANGLE PROJECTION <input checked="" type="checkbox"/> | DIMENSIONS: <input type="checkbox"/> mm <input checked="" type="checkbox"/> INCH <input type="checkbox"/> mm ONLY | SHT REV |
| | DESCRIPTION REV | 4 PLACES ±0.--- ±.--- 3 PLACES ±0.--- ±.010 2 PLACES ±0.25 ±.015 1 PLACE ±0.38 ±.--- | DRAWN BY & DATE J.WANG 98/08/18 | TITLE: .093/(2.36) HOUSINGS PLUG AND RECEPTACLE 4-CKTS, .264/(6.70) CTRS | | REVISE ON CAD ONLY |
| | J3 | ANGULAR: ±1 ° | CHECKED BY & DATE B.WIRKUS 98/08/18 | MOLEX INCORPORATED | | SHEET NO. 3 |
| | DRAFT WHERE APPLICABLE MUST REMAIN WITHIN DIMENSIONS | CAD FILENAME S3191403.DGN | APPROVED BY & DATE R.EDGLEY 98/08/18 | MATERIAL NO. SEE SHT.3 | DRAWING NO. SD -3191 -4* | SIZE C |

THIS DRAWING CONTAINS INFORMATION THAT IS PROPRIETARY TO MOLEX INCORPORATED AND SHOULD NOT BE USED WITHOUT WRITTEN PERMISSION.