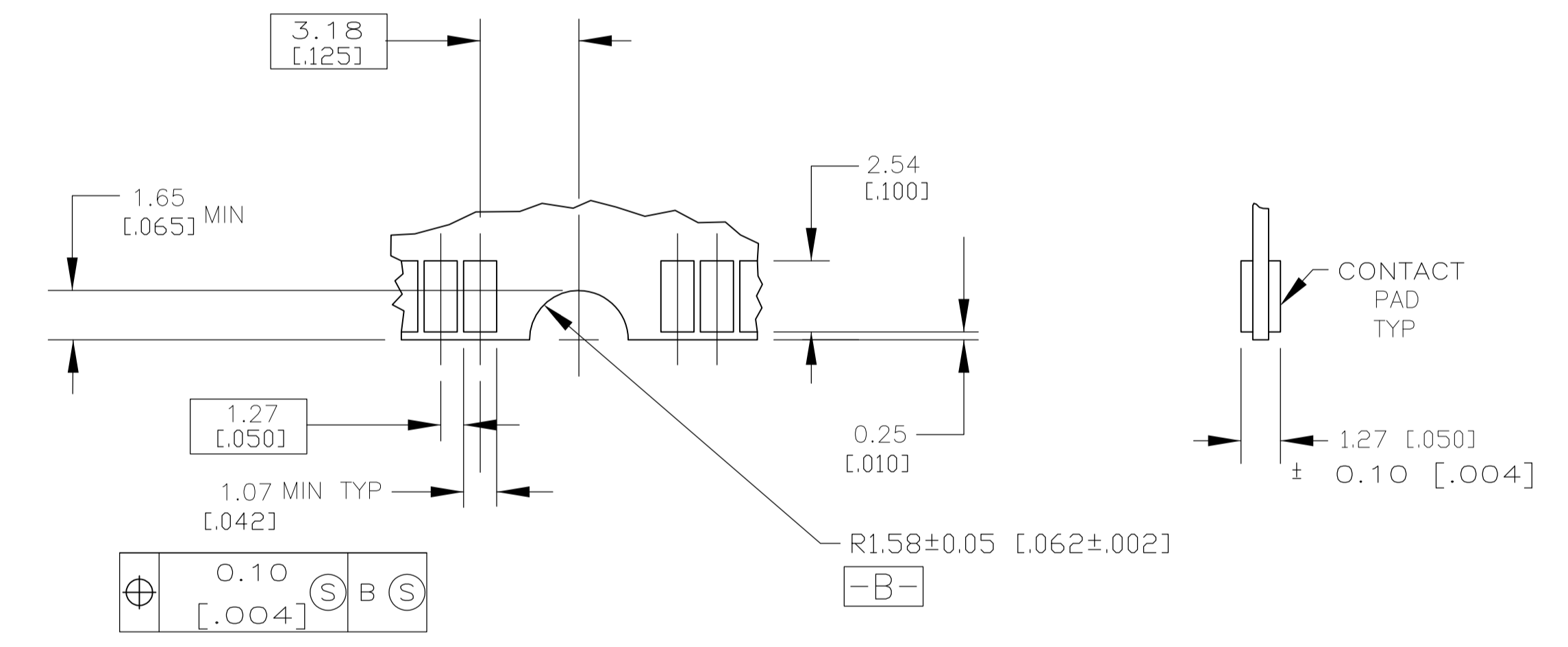
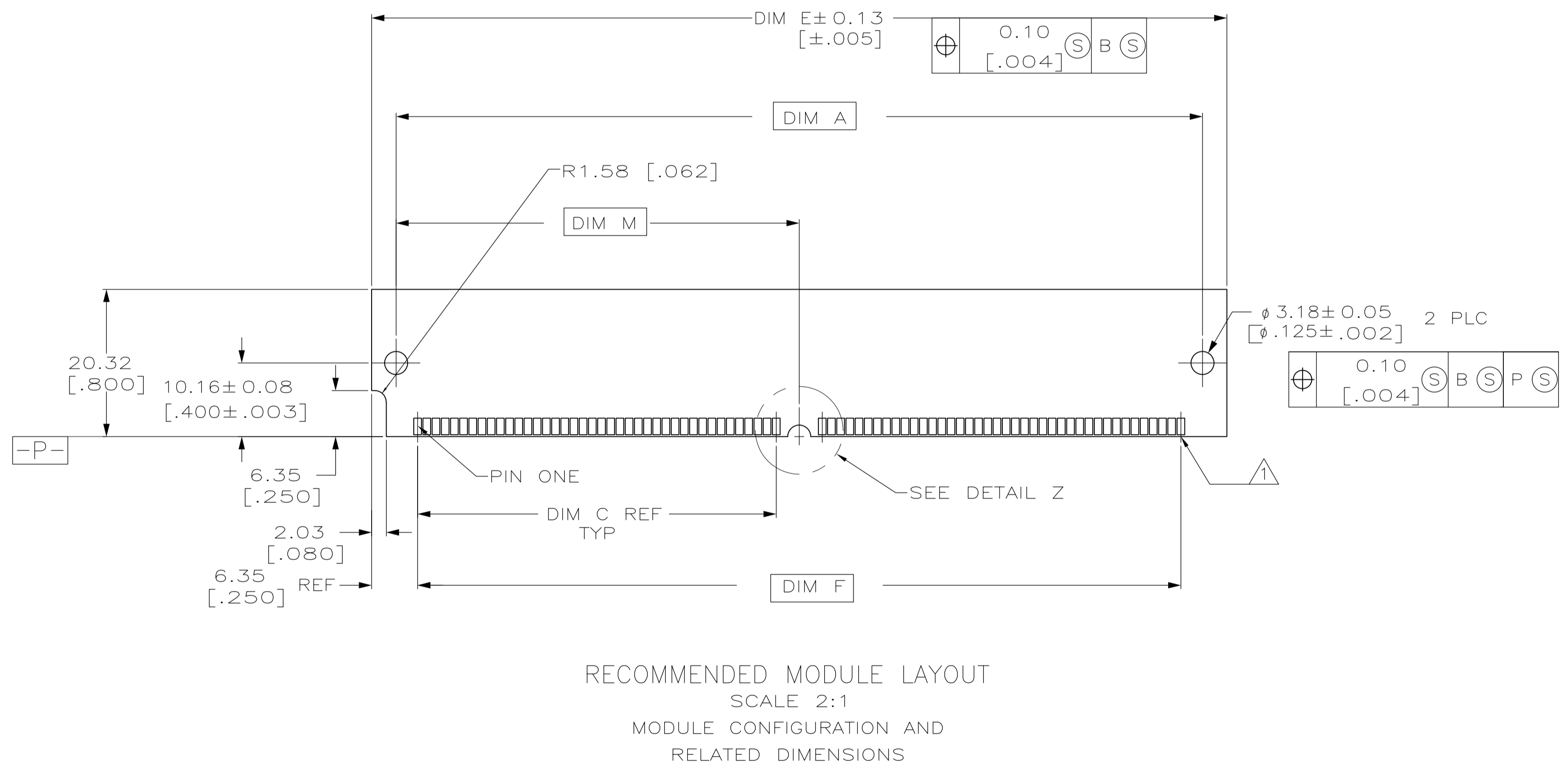
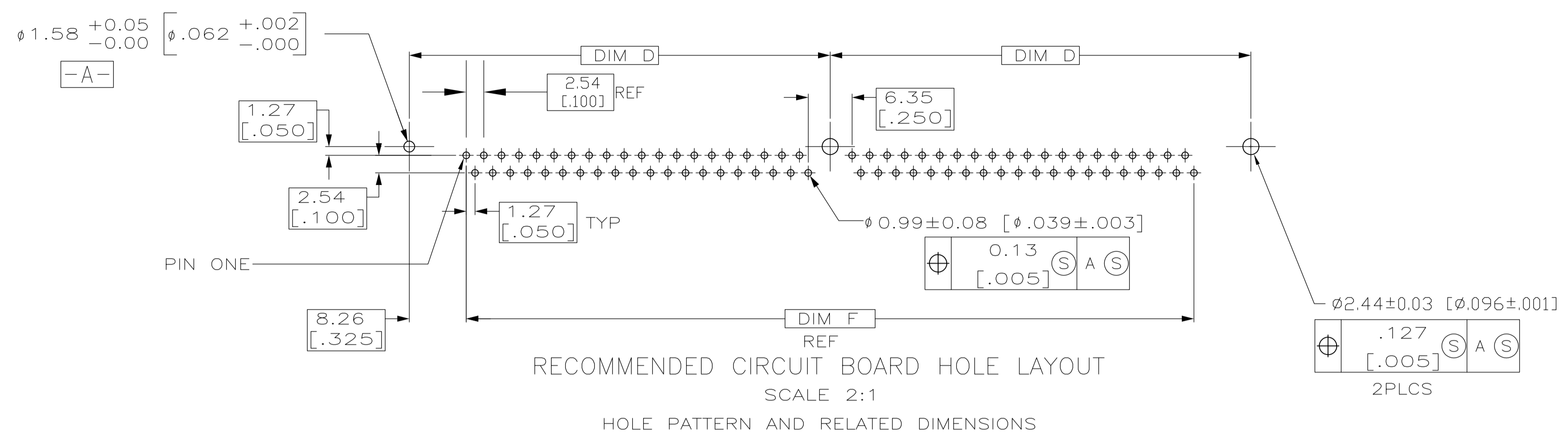


THIS DRAWING IS A CONTROLLED DOCUMENT.		DIN WENKE HE 29MAR05	STE TE Connectivity	
DIMENSIONS: INCHES		CHK STEVEN YAO 29MAR05	NAME SIMM II RTANG 1.27[.050] 1.27 [.500] CL ASSY., 6.350 [.250] HEIGHT	
TOLERANCES UNLESS OTHERWISE SPECIFIED:		APVD IENOMOTO 29MAR05	PRODUCT SPEC	
0 PLC ± -		APPLICATION SPEC		
1 PLC ± -		SIZE A1		
2 PLC ± -		CAGE CODE 00779		
3 PLC ± .127(.005)		DRAWING NO 5382486		
4 PLC ± -		RESTRICTED TO		
ANGLES ± -		WEIGHT		
MATERIAL HSG:GLASS REINF		CUSTOMER DRAWING		
FINISH		SCALE 4:1 SHEET 1 OF 2 REV P		



55.68 [2.192]	121.92 [4.800]	105.41 [4.150]	118.11 [4.650]	60.96 [2.400]	49.53 [1.950]	125.73 [4.950]	111.35 [4.384]	80	8-5382486-0
50.60 [1.992]	111.76 [4.400]	95.25 [3.750]	107.95 [4.250]	55.88 [2.200]	44.45 [1.750]	115.57 [4.550]	101.19 [3.984]	72	7-5382486-2
DIM M	DIM J	DIM F	DIM E	DIM D	DIM C	DIM B	DIM A	POSN	PART NO.

THIS DRAWING IS A CONTROLLED DOCUMENT.		DIN WENKE HE 29MAR05		TE Connectivity	
DIMENSIONS: INCHES		TOLERANCES UNLESS OTHERWISE SPECIFIED:			
0 PLC ± - 1 PLC ± - 2 PLC ± - 3 PLC ± 0.1[.005] 4 PLC ± - ANGLES ± ± -		APVD IENOMOTO 29MAR05 NAME PRODUCT SPEC APPLICATION SPEC WEIGHT MATERIAL FINISH		SIMM II, RTANG, 1.27 [.050] CL ASSY., 6.35 [.250] HGT SIZE CAGE CODE DRAWING NO A1 00779 C=5382486 CUSTOMER DRAWING SCALE 4:1 SHEET 2 OF 2 REV P	