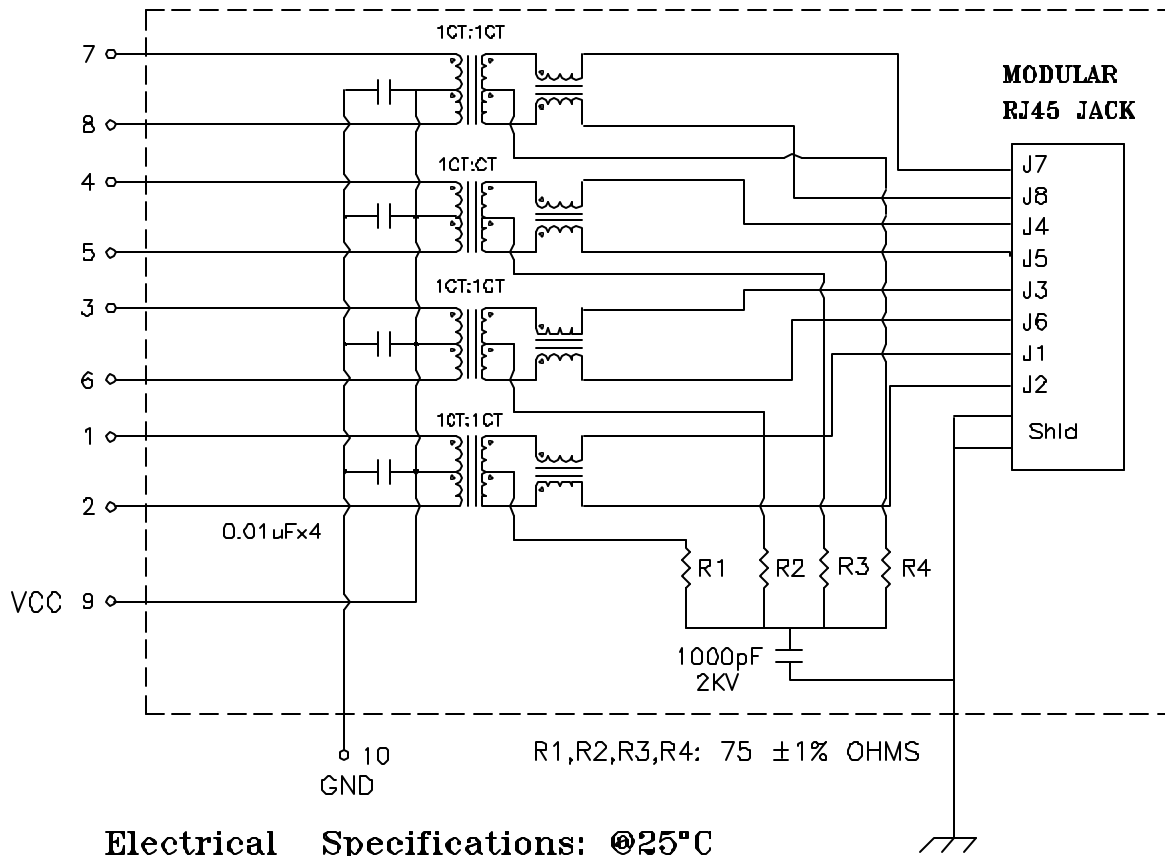


Schematic: (SINGLE PORT)

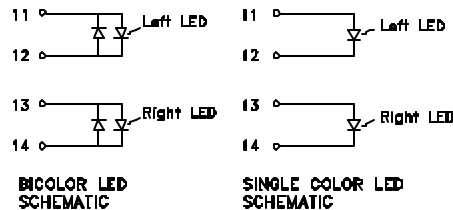


Electrical Specifications: @25°C

- ISOLATION: 1500 Vrms
- URNS RATIO: (PRI/SEC) 1CT:1CT ±2%
- OCL: 350uH MIN @100KHz 100mV 8mADC
- Rise Time: 1.75ns Max.
- INSERTION LOSS: -1.0dB MAX @1MHz-100MHz
-1.5dB MAX @100-125MHz
- RETURN LOSS: -18dB Min @1-30MHz
-15dB Min @40MHz -13.1dB Min @50MHz
-12dB Min @60-80MHz -10dB Min @100MHz
- Differential to Common Mode Rejection:
-43dB Min @30MHz -37dB Min @80MHz
-33dB Min @100MHz
- CMRR: -30dB Min @1-100MHz
- Crosstalk: -45dB Min @30MHz
-40dB Min @60MHz -35dB Min @100MHz

Notes:

1. Solderability: Leads shall meet MIL-STD-202G, Method 208H for solderability.
2. Flammability: UL94V-0
3. ASTM oxygen Index: > 28%
4. Insulation System: Class F 155°C. UL file E151556
5. Operating Temperature Range: All listed parameters are to be within tolerance from -40°C to +85°C
6. Storage Temperature Range: -55°C to +125°C
7. Aqueous wash compatible
8. Electrical and mechanical specifications 100% tested
9. RoHS Compliant Component



Complete the Combo P/N as follows:

Replace 'x' & 'u' in the part number with one of the LED color letters:

Y=Yellow 'x' = Left LED Color
 G=Green 'u' = Right LED Color
 A=Amber
 R=Red
 C=Green(1)/Amber(2) Bicolor
 D=Amber(1)/Green(2) Bicolor
 M=Green(1)/Yellow(2) Bicolor
 N=Yellow(1)/Green(2) Bicolor
 P=Red(1)/Green(2) Bicolor
 Q=Green(1)/Red(2) Bicolor
 E=Red(1)/Yellow(2) Bicolor
 F=Yellow(1)/Red(2) Bicolor
 H=Amber(1)/Yellow(2) Bicolor
 J=Green(1)/Green(2) Bicolor

Single Color LED: Bi-Color LED:

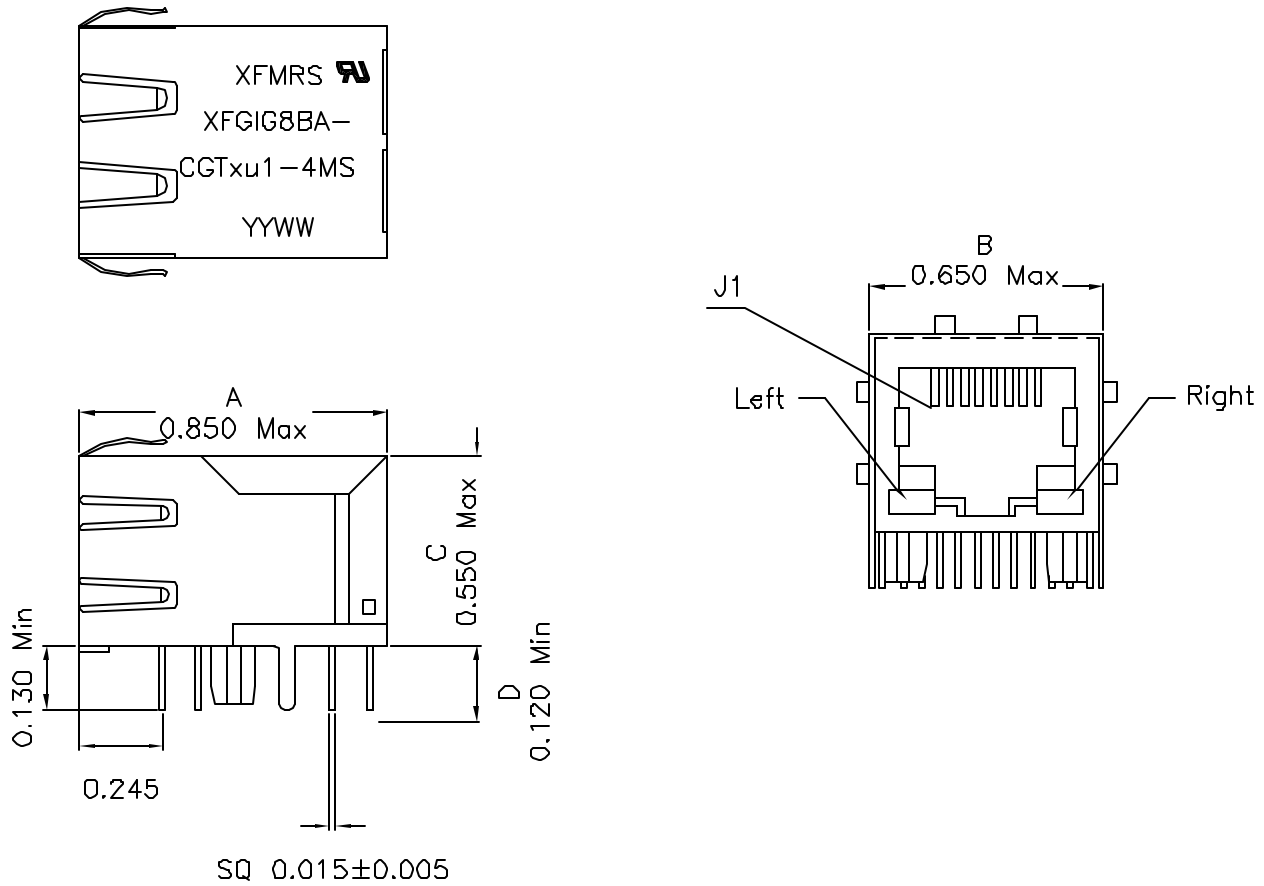
DOC REV: A/1

PROPRIETARY

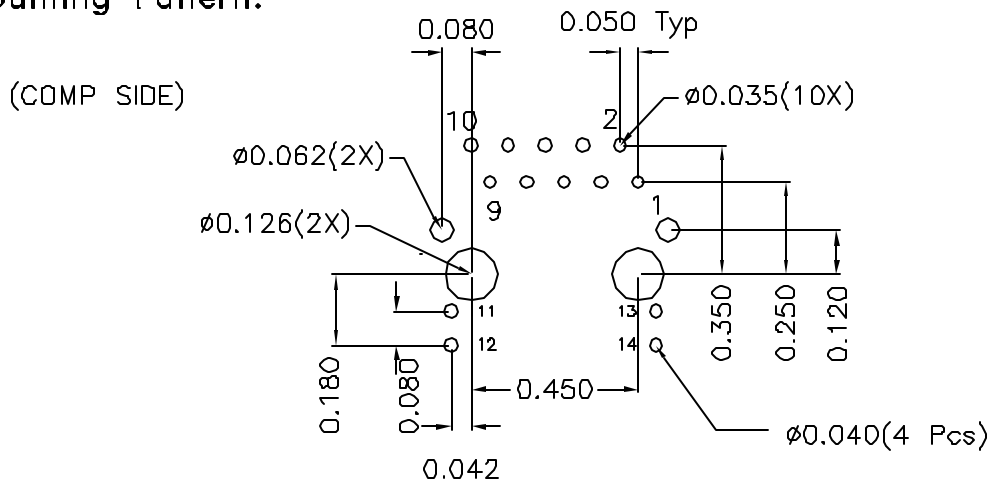
Document is the property of XFMRs Group & is not allowed to be duplicated without authorization.

XFMRs Inc www.XFMRs.com		Title: GIGABIT COMBO	
UNLESS OTHERWISE SPECIFIED TOLERANCES: .xxx ±0.010 Dimensions in Inch		P/N: XFGIG8BA-CGTxu1-4MS	REV. A
DWN.	李小锋	Jan-20-06	
CHK.	廖玉坤	Jan-20-06	
SHEET 1 OF 2	APP.	MS	Jan-20-06

Mechanical Dimensions:



Mounting Pattern:



DOC REV: A/1

XFMRS Inc www.XFMRS.com	Title: Mechanical Dimensions		
	UNLESS OTHERWISE SPECIFIED TOLERANCES: .xxx ±0.010 Dimensions in Inch	P/N: XFGIG8BA-CGTxu1-4MS	REV. B
SHEET 2 OF 2	DWN.	Juan Mao	Jan-20-06
	CHK.	YK Liao	Jan-20-06
	APP.	MS	Jan-20-06

PROPRIETARY:

Document is the property of XFMRS Group & is not allowed to be duplicated without authorization.