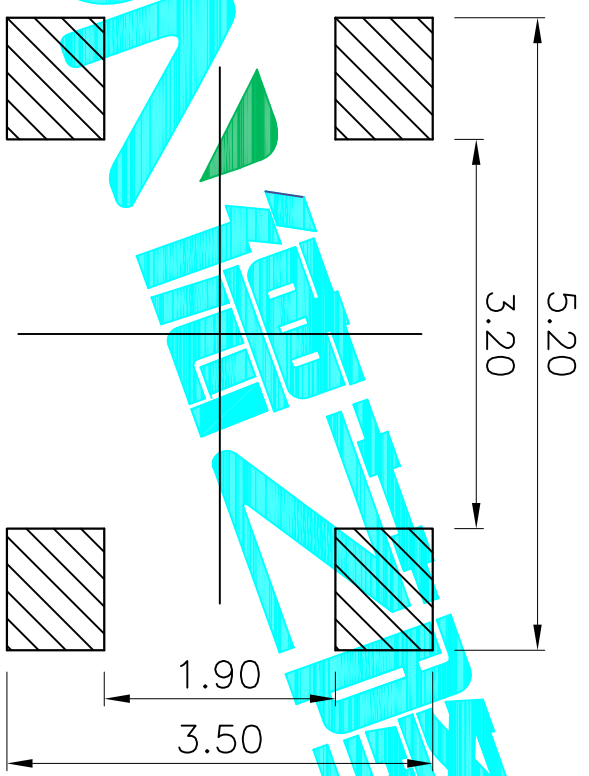
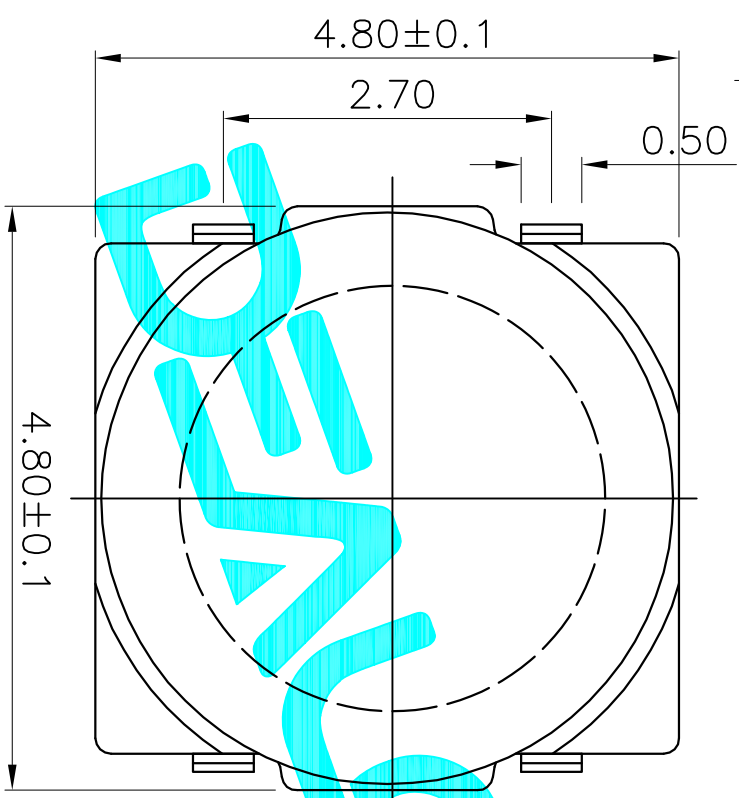


○—○—○
Circuit Diagram



PCB Layout (Pattern Side)

Note:
Travel: 0.20±0.1mm

NO.1	
PART NO	vigor
070	70±30
100	100±50
160	160±50
250	250±50
320	320±80
350	350±80
520	520±130

ITEM	PART NAME	QTY.	MATERIAL	FINISHING
④	Dust cover	1	KAPTON FILM	Yellow
③	Terminal	4	Phosphor Bronze	Plating silver
②	Contact	1	FAg/SUS	Plating silver
①	Base	1	LCP	Black

APPROVALS		DATE	DRAWING NO.	
DRAWN	G.M.Chen	2015/5/19	TD-1197UP-XXX	
CHECKED			TACT SWITCHES	
APPROVALS			ELECTRONICS CO.,LTD	
TOLERANCES ARE		30±0.15	±0.30	ANGLE
		10±0.20	±0.20	UNIT: mm
		5±0.10	±0.10	SCALE: 1:1
		~5	±2°	SHEET 1 OF 1
ECN NO.	REV.	DATE.	DESCRIPTION.	CHANGE.
	A		NEW	CHECK.
				APPRO.