



# Isolator

Drop-in

# CU1L2581 Series

---

---

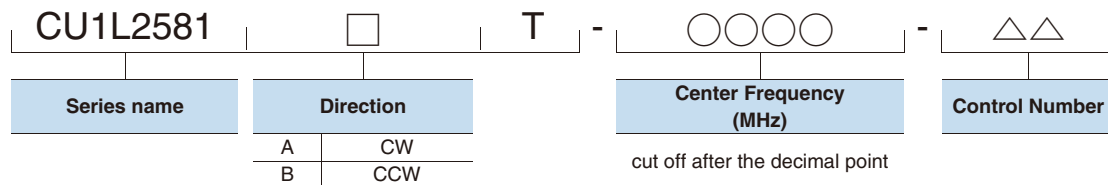
# Isolator

Product compatible with RoHS directive

## Drop-in

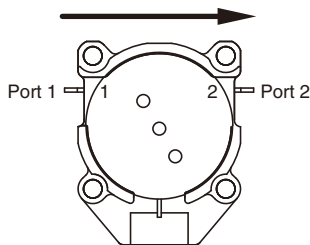
# Overview of CU1L2581 Series

### PART NUMBER CONSTRUCTION

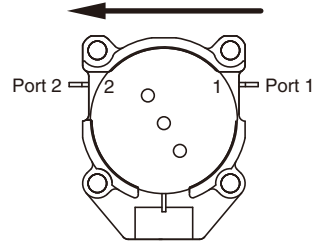


### DIRECTION OF CIRCULATION

**ClockWise(CW): A**



**CounterClockWise(CCW): B**



### TEMPERATURE RANGE

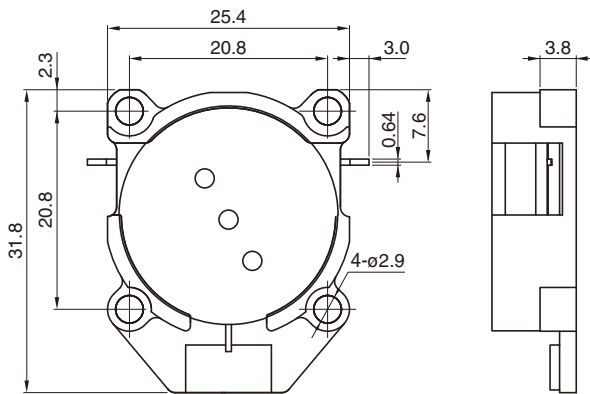
Operating temperature (°C)	Storage temperature (°C)
-35 to +85	-40 to +85

○ RoHS Directive Compliant Product: See the following for more details related to RoHS Directive compliant products. <http://product.tdk.com/en/environment/rohs/>

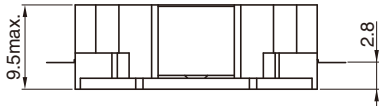
- All specifications are subject to change without notice.
- Before using these products, be sure to request the delivery specifications.

## CU1L2581 Series

## ■ SHAPES AND DIMENSIONS



Tolerance unless otherwise specified:  $\pm 0.3$



Dimensions in mm

- All specifications are subject to change without notice.
- Before using these products, be sure to request the delivery specifications.

# CU1L2581 Series

## ELECTRICAL CHARACTERISTICS

Frequency range (MHz)	Center frequency (MHz)	Isolation (dB) min.	Insertion loss (dB) max.	V.S.W.R. Zo=50Ω max.	Handling power (W) max.	Reflection power (W) *4 max.	IMD 45Wx2tone (dBc) max.	Part Number	
								ClockWise	CounterClockWise
716 to 728	722	25	0.25	1.15	150	70	-65	CU1L2581AT-722-00	CU1L2581BT-722-00
729 to 746	737.5	25	0.25	1.15	150	70	-65	CU1L2581AT-737-00	CU1L2581BT-737-00
734 to 746	740	25	0.25	1.15	150	70	-65	CU1L2581AT-740-00	CU1L2581BT-740-00
746 to 756	751	25	0.25	1.15	150	70	-65	CU1L2581AT-751-00	CU1L2581BT-751-00
758 to 768	763	25	0.25	1.15	150	70	-65	CU1L2581AT-763-00	CU1L2581BT-763-00
758 to 803	780.5	21	0.30	1.25	150	70	-62	CU1L2581AT-780-00	CU1L2581BT-780-00
773 to 803	788	25	0.25	1.15	150	70	-65	CU1L2581AT-788-00	CU1L2581BT-788-00
791 to 821	806	25	0.25	1.15	150	70	-70	CU1L2581AT-806-00	CU1L2581BT-806-00
852 to 869	860.5	25	0.25	1.15	150	70	-70	CU1L2581AT-860-00	CU1L2581BT-860-00
860 to 875	867.5	25	0.25	1.15	150	70	-70	CU1L2581AT-867-00	CU1L2581BT-867-00
860 to 890	875	25	0.25	1.15	150	70	-70	CU1L2581AT-875-00	CU1L2581BT-875-00
859 to 894	876.5	25	0.25	1.15	150	70	-70	CU1L2581AT-876-00	CU1L2581BT-876-00
869 to 894	881.5	25	0.25	1.15	150	70	-70	CU1L2581AT-881-00	CU1L2581BT-881-00
875 to 890	882.5	25	0.25	1.15	150	70	-70	CU1L2581AT-882-00	CU1L2581BT-882-00
925 to 960	942.5	25	0.25	1.15	150	70	-70	CU1L2581AT-942-00	CU1L2581BT-942-00
945 to 960	952.5	25	0.25	1.15	150	70	-70	CU1L2581AT-952-00	CU1L2581BT-952-00
1475.9 to 1510.9	1493.4	25	0.25	1.15	150	70	-70	CU1L2581AT-1493-00	CU1L2581BT-1493-00
1525 to 1559	1542	25	0.25	1.15	150	70	-70	CU1L2581AT-1542-00	CU1L2581BT-1542-00
1805 to 1880	1842.5	25	0.25	1.15	150	70	-70	CU1L2581AT-1842-00	CU1L2581BT-1842-00
1844.9 to 1879.9	1862.4	25	0.25	1.15	150	70	-70	CU1L2581AT-1862-00	CU1L2581BT-1862-00
1880 to 1920	1900	25	0.25	1.15	150	70	-70	CU1L2581AT-1900-00	CU1L2581BT-1900-00
1930 to 1990	1960	25	0.25	1.15	150	70	-70	CU1L2581AT-1960-00	CU1L2581BT-1960-00
1930 to 1995	1962.5	25	0.25	1.15	150	70	-70	CU1L2581AT-1962-00	CU1L2581BT-1962-00
2010 to 2025	2017.5	25	0.25	1.15	150	70	-70	CU1L2581AT-2017-00	CU1L2581BT-2017-00
2110 to 2170	2140	25	0.25	1.15	150	70	-70	CU1L2581AT-2140-00	CU1L2581BT-2140-00

Characteristic Impedance (Ω) : 50(Nominal)

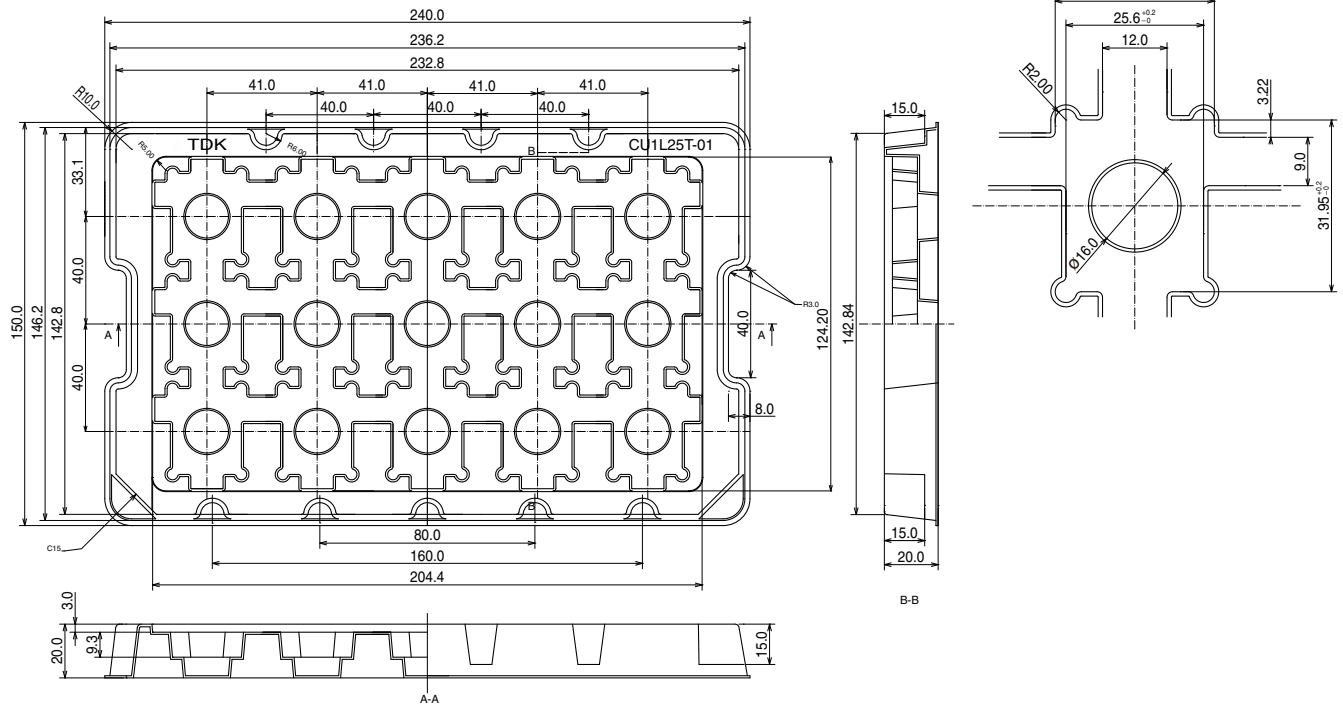
\*4 To be kept below +85deg.C at the bottom surface

- All specifications are subject to change without notice.
- Before using these products, be sure to request the delivery specifications.

# CU1L2581 Series

**PACKAGING STYLE**

**TRAY DIMENSIONS**



Dimensions in mm

**PACKAGE QUANTITY**

Standard package quantity (pieces/tray)
15

- All specifications are subject to change without notice.
- Before using these products, be sure to request the delivery specifications.

## REMINDERS FOR USING THESE PRODUCTS

Before using these products, be sure to request the delivery specifications.

### SAFETY REMINDERS

Please pay sufficient attention to the warnings for safe designing when using these products.

 **REMINDERS**

Please do not bring the magnet close to the product (Recommending is separating to 50cm or more). An electric characteristic might be deteriorated.

The magnetic field of 5mT or more must not go into the product when you make the magnet approach.

Moreover, please do not touch a soft magnetic material such as iron (Recommending is separating to 10mm or more). An electric characteristic might be deteriorated. An electric characteristic changes when bringing it close within 10mm(reversible change).

There is a leakage of some magnetism (0.3T or less) from the product.

The products listed on this catalog are intended for use in general electronic equipment (AV equipment, telecommunications equipment, home appliances, amusement equipment, computer equipment, personal equipment, office equipment, measurement equipment, industrial robots) under a normal operation and use condition.

The products are not designed or warranted to meet the requirements of the applications listed below, whose performance and/or quality require a more stringent level of safety or reliability, or whose failure, malfunction or trouble could cause serious damage to society, person or property.

Please understand that we are not responsible for any damage or liability caused by use of the products in any of the applications below or for any other use exceeding the range or conditions set forth in this catalog.

- |   |  |
|---|--|
| (1) Aerospace/Aviation equipment                                  | (8) Public information-processing equipment                                  |
| (2) Transportation equipment (cars, electric trains, ships, etc.) | (9) Military equipment   |
| (3) Medical equipment   | (10) Electric heating apparatus, burning equipment                           |
| (4) Power-generation control equipment                            | (11) Disaster prevention/crime prevention equipment                          |
| (5) Atomic energy-related equipment                               | (12) Safety equipment  |
| (6) Seabed equipment  | (13) Other applications that are not considered general-purpose applications |
| (7) Transportation control equipment                              |  |

When using this product in general-purpose applications, you are kindly requested to take into consideration securing protection circuit/equipment or providing backup circuits, etc., to ensure higher safety.