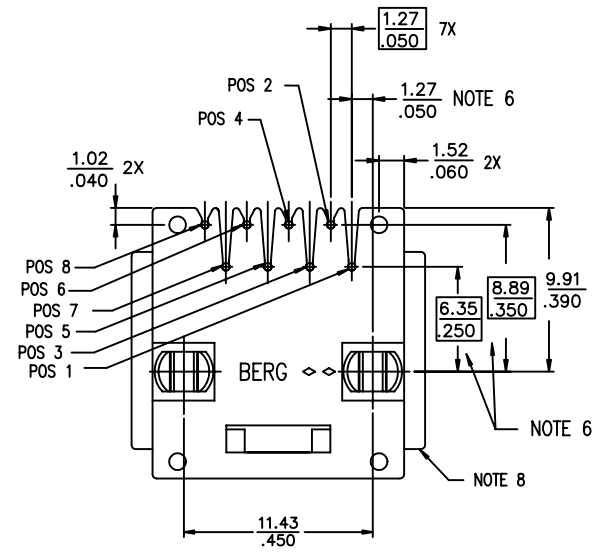
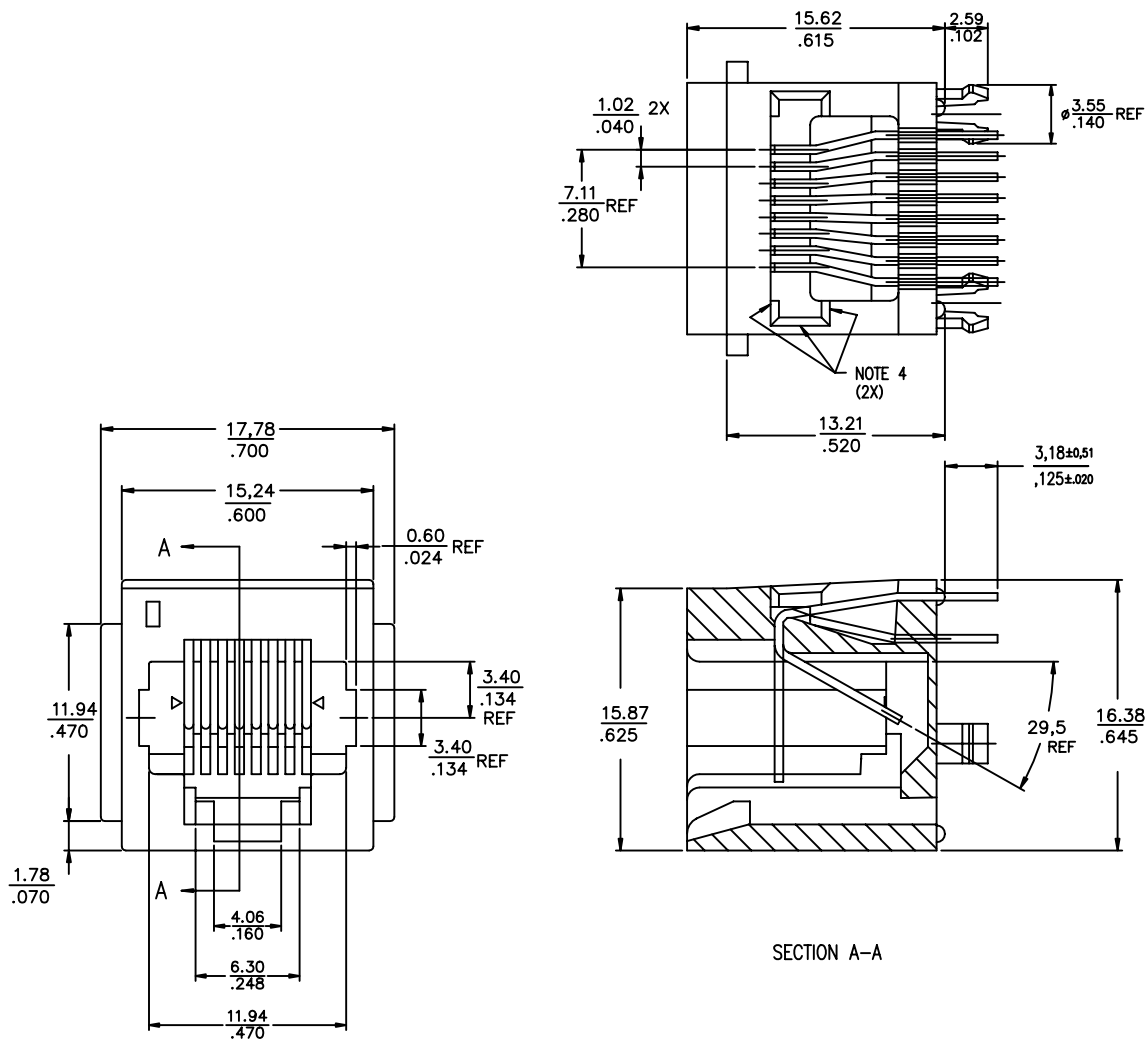


Tous droits strictement réservés. Reproduction ou communication à des tiers int  
 propriété de FCI ELECTRONICS.  
 Droits de reproduction FCI ELECTRONICS by



All rights strictly reserved. Reproduction or issue to third parties in any for  
 whatever is not permitted without written authority from the proprietor.  
 Copyright FCI ELECTRONICS by



SECTION A-A

mat'l code		tolerance unless otherwise specified		CUSTOMER COPY	FCI www.fciconnect.com	
rev.	ecn no.	dr	date	linear	projection	title
J	T80175	T	08/05/98	.XX±.3/.XX±.01		8 POS VERT. SNAP PEG P.C.B. III MOD JACK ASSY
K	T90098	T	15/03/99	.XX±.13/.XX±.005		
L	S00022	B	26/01/00	XXX±.051/.XXX±.002		
M	T00202	M	07/04/00	angles	ANGLE ±2'0"	
N	N04-0102	YS	11/23/04	dr	C L FENG	01/08/97
P	N06-0039	DT	3/10/06	enr	TONY CHIEN	01/08/97
R	N08-0097	SH	09/25/08	chr	TONY CHIEN	01/08/97
		appd		JENN TSAO	01/08/97	
sheet	revision	P	P	unit	mm/inch	product family M-JACK
index	sheet	1	2	scale	3 : 1	code NT
				size	A3	dwg no. 90598
						sheet 1 OF 2

Tous droits strictement réservés. Reproduction ou communication à des tiers sans autorisation écrite du propriétaire. Droits de reproduction FCI ELECTRONICS by



All rights strictly reserved. Reproduction or issue to third parties in any form without written authority from the proprietor. Property of FCI ELECTRONICS. Copyright FCI ELECTRONICS by

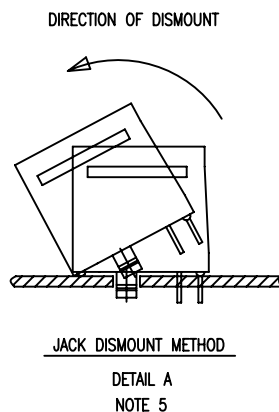
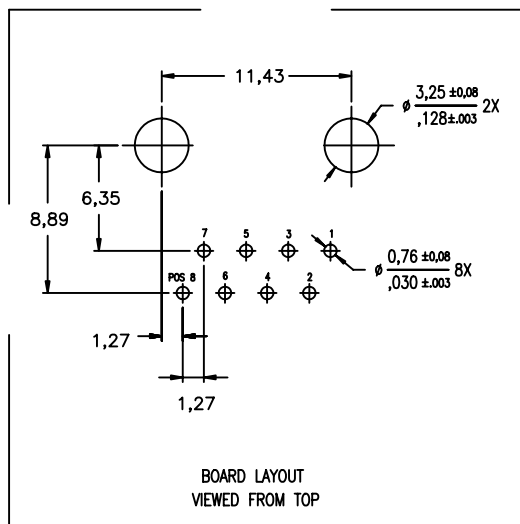
PRODUCT NO.	POSITIONS LOADED	CONTACT PLATING	MOUNTING EARS
90598-001 -001LF	ALL	30u" / ,76u GXT	Y
-002 -002LF	2,3,4,5,6,7	30u" / ,76u GXT	Y
-003 -003LF	ALL	30u" / ,76u Au	Y
-004 -004LF	ALL	50u" / 1,27u Au	Y
-005 -005LF	1,2,7,8	30u" / ,76u GXT	Y
-006 -006LF	ALL	30u" / ,76u GXT	N
-007 -007LF	ALL	50u" / 1,27u Au	N
-008 -008LF	ALL	30u" / ,76u Au	N
-009 -009LF	2-7	30u" / .76u GXT	N
-010 -010LF	2-7	30u" / ,76u Au	N
-011 -011LF	3,4,5,6	50u" / 1,27u Au	N
-012 -012LF	ALL	15u" / 0,37u GXT	N

PRODUCT NO.	POSITIONS LOADED	CONTACT PLATING	MOUNTING EARS
90598-101 -101LF	ALL	30u" / ,76u GXT	Y
-102 -102LF	2,3,4,5,6,7	30u" / ,76u GXT	Y
-103 -103LF	ALL	30u" / ,76u Au	Y
-104 -104LF	ALL	50u" / 1,27u Au	Y
-105 -105LF	1,2,7,8	30u" / ,76u GXT	Y
-106 -106LF	ALL	30u" / ,76u GXT	N

LEAD FREE PRODUCT NO.

NOTES :

- 1 P/NO WITH DASH OXX -NOTMAL WAVE SOLDERING APPLICATION.  
P/NO WITH DASH 1XX -1R REFLOW APPLICATION.
- 2 PACKAGING SPEC. BUS-14-164.
- ③ SCRATCH MARKS ACCEPTABLE ON THESE SURFACES.
- 4 JACK IS FOR 1,57/.062 THICK PCB.
- ⑤ SHOULD THE JACK NEED TO BE DISMOUNTED FROM THE PCB, PLS REMOVE JACK AS PER RECOMMENDED METHOD HEREIN. (DETAIL A) NIPPING THE LEGS OF THE PEG TOGETHER IS DISALLOWED, OTHERWISE LEG BREAKAGE MAY OCCUR.
- ⑥ THESE DIMENSIONS ARE TAKEN FROM THE TOP OF THE PEG.
- 7 GXT IS 0,76um / 30u" MIN GXT WITH Au FLASH OVER 1,27 um / 50u" MIN Ni.
- ⑧ MOUNTING EARS OPTIONAL. REFER TO TABLE
- 9 THIS PRODUCT MEETS EUROPEAN UNION DIRECTIVES AND OTHER COUNTRY REGULATIONS AS DESCRIBED IN GS-22-008
- 10 MOUNTING EARS OPTIONAL. REFER TO TABLE
- 11 THE HOUSING WILL WITHSTAND EXPOSURE TO 260°C PEAK TEMPERATURE FOR 10 SECONDS IN A WAVE SOLDER APPLICATION WITH A 1.57mm MINIMUM THICK CIRCUIT BOARD
- 12 IF LF P/N PACKAGING MEETS GS-14-920 SPECIFICATION
- ⑬ EQUIVALENT THICKNESS Au AND GXT PLATING HAVE SAME FUNCTION AND THEY ARE ALTERNATIVE BY THE CUSTOEMR .



mat'l code		tolerance unless otherwise specified		CUSTOMER COPY		www.fciconnect.com	
rev.	ecn no.	dr	date	linear	.xx±.13/.xx±.01 .xx±.13/.xx±.005 xxx±.051/.xxx±.002	projection	title 8 POS VERT. SNAP PEG P.C.B. III MOD JACK ASSY
R				angles	ANGLE ±2'0"		
				dr	C L FENG 01/08/97	unit	product family M-JACK
				enrg	TONY CHIEN 01/08/97	mm/inch	code NT
				chr	TONY CHIEN 01/08/97	scale	size A3
				appd	JENN TSAO 01/08/97	3 : 1	dwg no. 90598
sheet	revision						sheet 2 OF 2
index	sheet						