

**PLEASE CHECK WWW.MOLEX.COM FOR LATEST PART INFORMATION**

**Part Number:** [0395233002](#)  
**Status:** **Active**  
**Description:** 5.00mm (.197") Pitch Eurostyle™ Vertical Plug, Front Wire Entry, 2 Circuits

**Documents:**

[Drawing \(PDF\)](#) [RoHS Certificate of Compliance \(PDF\)](#)  
[Product Specification PS-39500-001 \(PDF\)](#)

**General**

Product Family	Terminal Blocks
Series	<a href="#">39523</a>
Application	Wire-to-Board
Comments	Front Wire Entry
Component Type	Plug
Product Literature Order No	USA-355
Product Name	ESE, Eurostyle™ Pluggable
Type	Euro Block

**Physical**

Circuits (Loaded)	2
Entry Angle	Horizontal
Lock to Mating Part	Yes
Number of Rows	1
Orientation	Vertical
Panel Mount	No
Pitch - Mating Interface (in)	0.197 In
Pitch - Mating Interface (mm)	5.00 mm
Polarized to Mating Part	Yes
Stackable	No
Temperature Range - Operating	-40°C to +105°C
Wire Size AWG	12, 14, 16, 18, 20, 22, 24, 26
Wire Size mm²	0.13 - 3.31

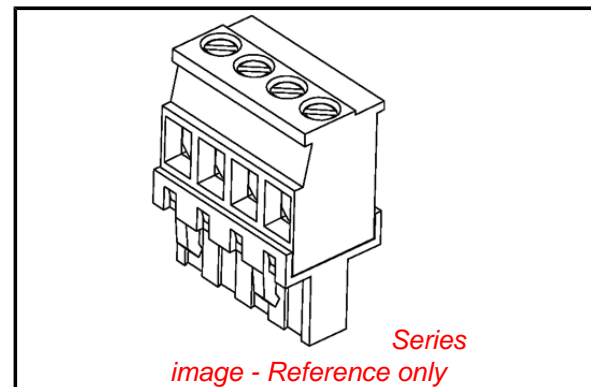
**Electrical**

Current - Maximum per Contact	15A
Voltage - Maximum	300V

**Material Info**

**Reference - Drawing Numbers**

Product Specification	PS-39500-001
Sales Drawing	SD-39523-001



**EU RoHS**

**ELV and RoHS  
Compliant**  
**REACH SVHC**  
 Not Reviewed  
**Halogen-Free  
Status**

**China RoHS**



**Not Reviewed**

**Need more information on product  
environmental compliance?**

Email [productcompliance@molex.com](mailto:productcompliance@molex.com)  
 For a multiple part number RoHS Certificate of  
 Compliance, [click here](#)

Please visit the [Contact Us](#) section for any  
 non-product compliance questions.

**Search Parts in this Series**

[39523Series](#)

**Mates With**

[39521](#) Vertical PCB Header, [39522](#)  
 Horizontal PCB Header, Most 5.00mm  
 (.197") Pitch Industry Standard PCB  
 Headers, [39528](#) Dual Level PCB Header,  
 Open Ends

10 9 8 7 6 5 4 3 2 1

F

E

D

C

B

A

F

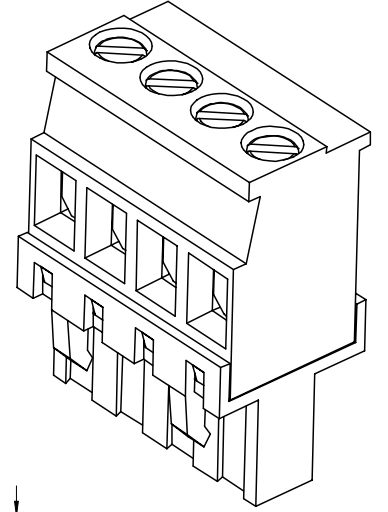
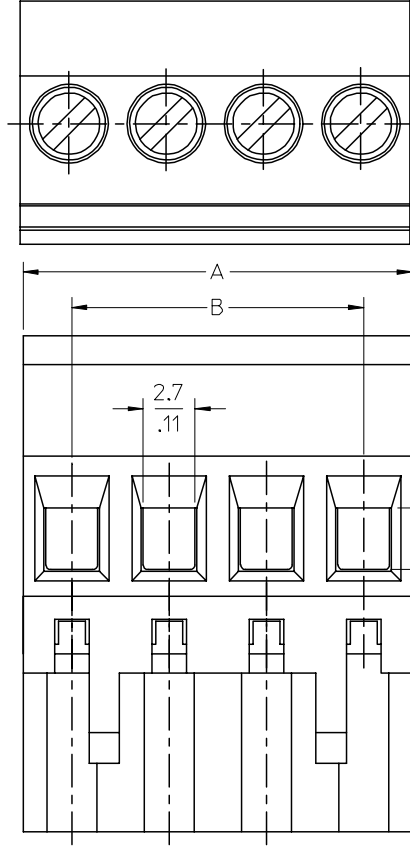
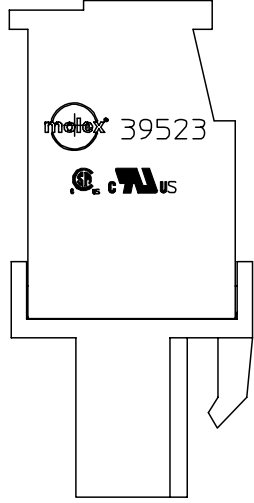
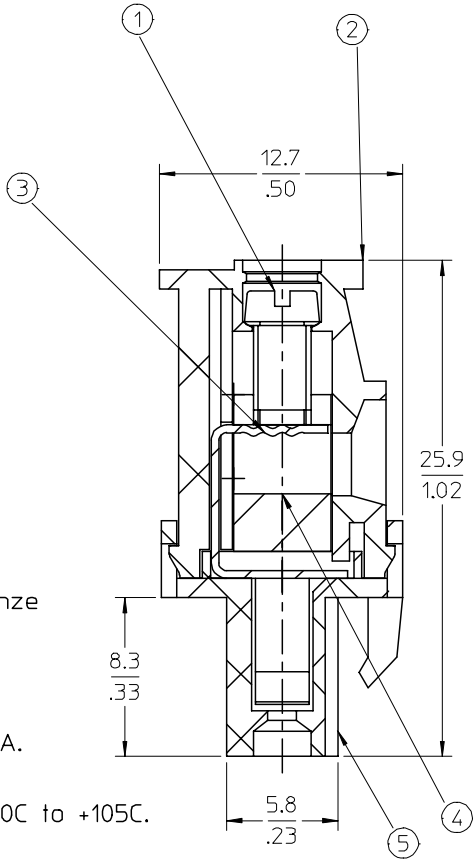
E

D

C

B

A



**SPECIFICATIONS:**

**1. Material:**

- (1). Screw: Steel
- (2). Body: PA66
- (3). Terminal: Phosphor Bronze
- (4). Cage: Brass
- (5). Cover: PA66

- 2. Wire range: 12 - 26 AWG
- 3. Electrical rating: 300V, 15A.
- 4. Wire strip length: 5.0mm.
- 5. Operating temperature: -40C to +105C.
- 6. Max torque: 5 In Lbs.
- 7. Insulation resistance: DC 500V, 500M.
- 8. Dielectric withstand: AC 2500V for 1 minute.
- 9. Breakdown voltage: 4000V.
- 10. Contact resistance: <10 mW.
- 11. A = (N x P)
- 12. B = (N - 1) x P
- 13. P (PITCH) = 5.0mm (.197").
- 14. N = Number of positions available 2 through 24.

ENTER DESCRIPTION EC NO: NEO2006-0310 DRWNL: LROTHAUS 2006/01/09 CHKDC: YORK 2006/01/09 APPR: JPAWLICK 2006/01/10	QUALITY SYMBOLS ▽=0 ▽=0	GENERAL TOLERANCES (UNLESS SPECIFIED)		DIMENSION STYLE		SCALE	DESIGN UNITS	THIRD ANGLE PROJECTION	
			mm	INCH	MM/IN	4:1	INCH		
		4 PLACES	± ---	± .0015	DRAWN BY	DATE	TITLE		
		3 PLACES	± 0.038	± .005	LROTHAUS	12/6/05	5.0MM, EURO PLUG, VERTICAL, REAR WIRE ENTRY		
2 PLACES	± 0.13	± .01	CHECKED BY	DATE					
1 PLACE	± 0.3	± ---	C. YORK	01/06/06	MOLEX INCORPORATED				
		ANGULAR ± 2 °	APPROVED BY	DATE	MATERIAL NO.	DOCUMENT NO.	SHEET NO.		
					SEE CHART	SD-39523-001	1 OF 1		
			DRAFT WHERE APPLICABLE MUST REMAIN WITHIN DIMENSIONS		THIS DRAWING CONTAINS INFORMATION THAT IS PROPRIETARY TO MOLEX INCORPORATED AND SHOULD NOT BE USED WITHOUT WRITTEN PERMISSION				

9 8 7 6 5 4 3 2 1

10 9 8 7 6 5 4 3 2 1

F

E

D

C

B

A

F

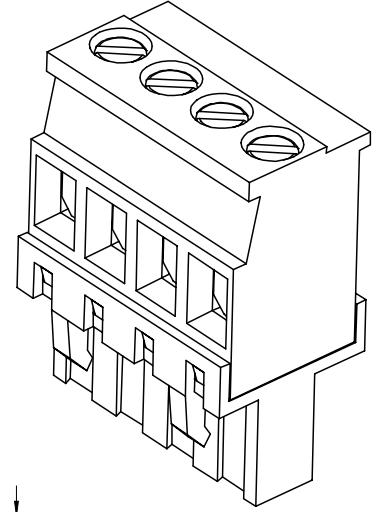
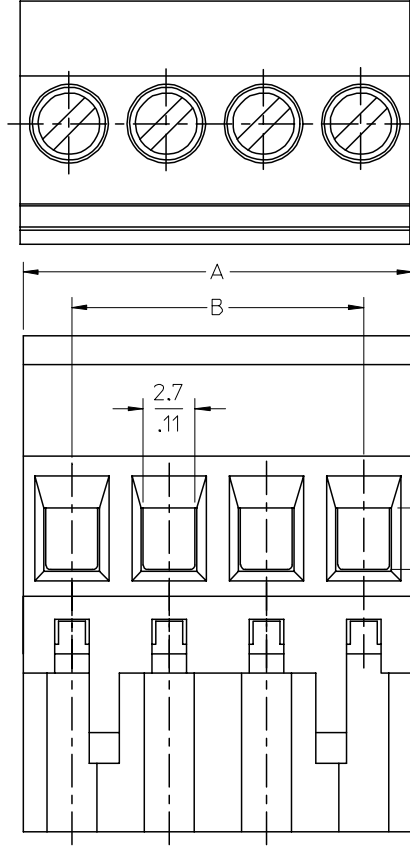
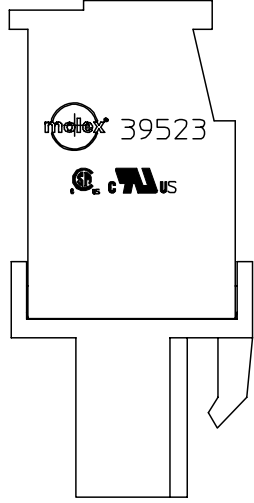
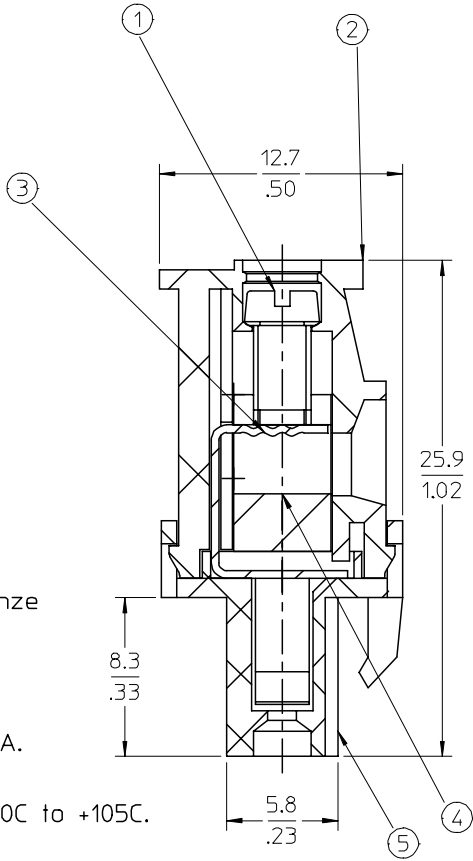
E

D

C

B

A



**SPECIFICATIONS:**

**1. Material:**

- (1). Screw: Steel
- (2). Body: PA66
- (3). Terminal: Phosphor Bronze
- (4). Cage: Brass
- (5). Cover: PA66

- 2. Wire range: 12 - 26 AWG
- 3. Electrical rating: 300V, 15A.
- 4. Wire strip length: 5.0mm.
- 5. Operating temperature: -40C to +105C.
- 6. Max torque: 5 In Lbs.
- 7. Insulation resistance: DC 500V, 500M.
- 8. Dielectric withstand: AC 2500V for 1 minute.
- 9. Breakdown voltage: 4000V.
- 10. Contact resistance: <10 mW.
- 11. A = (N x P)
- 12. B = (N - 1) x P
- 13. P (PITCH) = 5.0mm (.197").
- 14. N = Number of positions available 2 through 24.

ENTER DESCRIPTION EC NO: NEO2006-0310 DRWNL: LROTHAUS 2006/01/09 CHKDC: YORK 2006/01/09 APPR: JPAWLICK 2006/01/10	QUALITY SYMBOLS ▽=0 ▽=0	GENERAL TOLERANCES (UNLESS SPECIFIED)		DIMENSION STYLE		SCALE	DESIGN UNITS	THIRD ANGLE PROJECTION	
			mm	INCH	MM/IN	4:1	INCH		
		4 PLACES	± ---	± .0015	DRAWN BY	DATE	TITLE		
		3 PLACES	± 0.038	± .005	LROTHAUS	12/6/05	5.0MM, EURO PLUG, VERTICAL, REAR WIRE ENTRY		
2 PLACES	± 0.13	± .01	CHECKED BY	DATE					
1 PLACE	± 0.3	± ---	C. YORK	01/06/06	MOLEX INCORPORATED				
	ANGULAR ± 2 °		APPROVED BY	DATE	MATERIAL NO.	DOCUMENT NO.	SHEET NO.		
	DRAFT WHERE APPLICABLE MUST REMAIN WITHIN DIMENSIONS		SEE CHART			SD-39523-001	1 OF 1		
			THIS DRAWING CONTAINS INFORMATION THAT IS PROPRIETARY TO MOLEX INCORPORATED AND SHOULD NOT BE USED WITHOUT WRITTEN PERMISSION						

9 8 7 6 5 4 3 2 1

Description	Circuit size	Material Numbers											Dimensional Information				
		Black					Green										
		100% Tin			30 u" Gold		100% Tin			30 u" Gold			Dim. A		Dim B		
		Printing Options			Printing Options		Printing Options			Printing Options							
None	10AV	11AV	None	10AV	11AV	None	10AV	11AV	None	10AV	11AV	mm	inch	mm	inch		
5.0mm, Euro Plug, Vertical, Rear Wire Entry	2	395233002	395233302	395233402	395233502	395233802	395233902	395238002	395238302	395238402	395238502	395238802	395238902	10.00	0.394	5.00	0.197
5.0mm, Euro Plug, Vertical, Rear Wire Entry	3	395233003	395233303	395233403	395233503	395233803	395233903	395238003	395238303	395238403	395238503	395238803	395238903	15.00	0.591	10.00	0.394
5.0mm, Euro Plug, Vertical, Rear Wire Entry	4	395233004	395233304	395233404	395233504	395233804	395233904	395238004	395238304	395238404	395238504	395238804	395238904	20.00	0.787	15.00	0.591
5.0mm, Euro Plug, Vertical, Rear Wire Entry	5	395233005	395233305	395233405	395233505	395233805	395233905	395238005	395238305	395238405	395238505	395238805	395238905	25.00	0.984	20.00	0.787
5.0mm, Euro Plug, Vertical, Rear Wire Entry	6	395233006	395233306	395233406	395233506	395233806	395233906	395238006	395238306	395238406	395238506	395238806	395238906	30.00	1.181	25.00	0.984
5.0mm, Euro Plug, Vertical, Rear Wire Entry	7	395233007	395233307	395233407	395233507	395233807	395233907	395238007	395238307	395238407	395238507	395238807	395238907	35.00	1.378	30.00	1.181
5.0mm, Euro Plug, Vertical, Rear Wire Entry	8	395233008	395233308	395233408	395233508	395233808	395233908	395238008	395238308	395238408	395238508	395238808	395238908	40.00	1.575	35.00	1.378
5.0mm, Euro Plug, Vertical, Rear Wire Entry	9	395233009	395233309	395233409	395233509	395233809	395233909	395238009	395238309	395238409	395238509	395238809	395238909	45.00	1.772	40.00	1.575
5.0mm, Euro Plug, Vertical, Rear Wire Entry	10	395233010	395233310	395233410	395233510	395233810	395233910	395238010	395238310	395238410	395238510	395238810	395238910	50.00	1.969	45.00	1.772
5.0mm, Euro Plug, Vertical, Rear Wire Entry	11	395233011	395233311	395233411	395233511	395233811	395233911	395238011	395238311	395238411	395238511	395238811	395238911	55.00	2.165	50.00	1.969
5.0mm, Euro Plug, Vertical, Rear Wire Entry	12	395233012	395233312	395233412	395233512	395233812	395233912	395238012	395238312	395238412	395238512	395238812	395238912	60.00	2.362	55.00	2.165
5.0mm, Euro Plug, Vertical, Rear Wire Entry	13	395233013	395233313	395233413	395233513	395233813	395233913	395238013	395238313	395238413	395238513	395238813	395238913	65.00	2.559	60.00	2.362
5.0mm, Euro Plug, Vertical, Rear Wire Entry	14	395233014	395233314	395233414	395233514	395233814	395233914	395238014	395238314	395238414	395238514	395238814	395238914	70.00	2.756	65.00	2.559
5.0mm, Euro Plug, Vertical, Rear Wire Entry	15	395233015	395233315	395233415	395233515	395233815	395233915	395238015	395238315	395238415	395238515	395238815	395238915	75.00	2.953	70.00	2.756
5.0mm, Euro Plug, Vertical, Rear Wire Entry	16	395233016	395233316	395233416	395233516	395233816	395233916	395238016	395238316	395238416	395238516	395238816	395238916	80.00	3.150	75.00	2.953
5.0mm, Euro Plug, Vertical, Rear Wire Entry	17	395233017	395233317	395233417	395233517	395233817	395233917	395238017	395238317	395238417	395238517	395238817	395238917	85.00	3.346	80.00	3.150
5.0mm, Euro Plug, Vertical, Rear Wire Entry	18	395233018	395233318	395233418	395233518	395233818	395233918	395238018	395238318	395238418	395238518	395238818	395238918	90.00	3.543	85.00	3.346
5.0mm, Euro Plug, Vertical, Rear Wire Entry	19	395233019	395233319	395233419	395233519	395233819	395233919	395238019	395238319	395238419	395238519	395238819	395238919	95.00	3.740	90.00	3.543
5.0mm, Euro Plug, Vertical, Rear Wire Entry	20	395233020	395233320	395233420	395233520	395233820	395233920	395238020	395238320	395238420	395238520	395238820	395238920	100.00	3.937	95.00	3.740
5.0mm, Euro Plug, Vertical, Rear Wire Entry	21	395233021	395233321	395233421	395233521	395233821	395233921	395238021	395238321	395238421	395238521	395238821	395238921	105.00	4.134	100.00	3.937
5.0mm, Euro Plug, Vertical, Rear Wire Entry	22	395233022	395233322	395233422	395233522	395233822	395233922	395238022	395238322	395238422	395238522	395238822	395238922	110.00	4.331	105.00	4.134
5.0mm, Euro Plug, Vertical, Rear Wire Entry	23	395233023	395233323	395233423	395233523	395233823	395233923	395238023	395238323	395238423	395238523	395238823	395238923	115.00	4.528	110.00	4.331
5.0mm, Euro Plug, Vertical, Rear Wire Entry	24	395233024	395233324	395233424	395233524	395233824	395233924	395238024	395238324	395238424	395238524	395238824	395238924	120.00	4.724	115.00	4.528

SEE SHEET 1 EC NO: NEC2006-0310 DRWNL: LROTHAUS 2006/01/09 CHKD: C.YORK 2006/01/09 APPR: J.P.AMLI CK 2006/01/10	QUALITY SYMBOLS ▽=0 ▽=0	GENERAL TOLERANCES (UNLESS SPECIFIED)		DIMENSION STYLE MM/IN		SCALE 4:1	DESIGN UNITS INCH	THIRD ANGLE PROJECTION
		mm	INCH	DRAWN BY	DATE	TITLE 5.0MM, EURO PLUG VERTICAL REAR WIRE ENTRY		
		4 PLACES ± ---	±.0015	LROTHAUS	12/6/05			
		3 PLACES ±0.038	±.005	CHECKED BY	DATE			
2 PLACES ±0.13	±.01	C. YORK	01/06/06	APPROVED BY DATE		MOLEX INCORPORATED		
1 PLACE ±0.3	± ---	ANGULAR ± 2 °						
DRAFT WHERE APPLICABLE MUST REMAIN WITHIN DIMENSIONS		MATERIAL NO. SEE CHART		DOCUMENT NO. SD-39523-001		SHEET NO. 2 OF 2		
THIS DRAWING CONTAINS INFORMATION THAT IS PROPRIETARY TO MOLEX INCORPORATED AND SHOULD NOT BE USED WITHOUT WRITTEN PERMISSION								

Description	Circuit size	Material Numbers											Dimensional Information						
		Black						Green					Dim. A		Dim. B				
		100% Tin			30 u" Gold			100% Tin			30 u" Gold		mm	inch	mm	inch			
		Printing Options		None	Printing Options		None	Printing Options		None	Printing Options						None		
None	10AV	11AV	None	10AV	11AV	None	10AV	11AV	None	10AV	11AV	None	10AV	11AV					
5.0mm, Euro Plug, Vertical, Rear Wire Entry	2	395233002	395233302	395233402	395233502	395233602	395233702	395238002	395238302	395238402	395238502	395238602	395238702	395238802	395238902	10.00	0.394	5.00	0.197
5.0mm, Euro Plug, Vertical, Rear Wire Entry	3	395233003	395233303	395233403	395233503	395233603	395233703	395238003	395238303	395238403	395238503	395238603	395238703	395238803	395238903	15.00	0.591	10.00	0.394
5.0mm, Euro Plug, Vertical, Rear Wire Entry	4	395233004	395233304	395233404	395233504	395233604	395233704	395238004	395238304	395238404	395238504	395238604	395238704	395238804	395238904	20.00	0.787	15.00	0.591
5.0mm, Euro Plug, Vertical, Rear Wire Entry	5	395233005	395233305	395233405	395233505	395233605	395233705	395238005	395238305	395238405	395238505	395238605	395238705	395238805	395238905	25.00	0.984	20.00	0.787
5.0mm, Euro Plug, Vertical, Rear Wire Entry	6	395233006	395233306	395233406	395233506	395233606	395233706	395238006	395238306	395238406	395238506	395238606	395238706	395238806	395238906	30.00	1.181	25.00	0.984
5.0mm, Euro Plug, Vertical, Rear Wire Entry	7	395233007	395233307	395233407	395233507	395233607	395233707	395238007	395238307	395238407	395238507	395238607	395238707	395238807	395238907	35.00	1.378	30.00	1.181
5.0mm, Euro Plug, Vertical, Rear Wire Entry	8	395233008	395233308	395233408	395233508	395233608	395233708	395238008	395238308	395238408	395238508	395238608	395238708	395238808	395238908	40.00	1.575	35.00	1.378
5.0mm, Euro Plug, Vertical, Rear Wire Entry	9	395233009	395233309	395233409	395233509	395233609	395233709	395238009	395238309	395238409	395238509	395238609	395238709	395238809	395238909	45.00	1.772	40.00	1.575
5.0mm, Euro Plug, Vertical, Rear Wire Entry	10	395233010	395233310	395233410	395233510	395233610	395233710	395238010	395238310	395238410	395238510	395238610	395238710	395238810	395238910	50.00	1.969	45.00	1.772
5.0mm, Euro Plug, Vertical, Rear Wire Entry	11	395233011	395233311	395233411	395233511	395233611	395233711	395238011	395238311	395238411	395238511	395238611	395238711	395238811	395238911	55.00	2.165	50.00	1.969
5.0mm, Euro Plug, Vertical, Rear Wire Entry	12	395233012	395233312	395233412	395233512	395233612	395233712	395238012	395238312	395238412	395238512	395238612	395238712	395238812	395238912	60.00	2.362	55.00	2.165
5.0mm, Euro Plug, Vertical, Rear Wire Entry	13	395233013	395233313	395233413	395233513	395233613	395233713	395238013	395238313	395238413	395238513	395238613	395238713	395238813	395238913	65.00	2.559	60.00	2.362
5.0mm, Euro Plug, Vertical, Rear Wire Entry	14	395233014	395233314	395233414	395233514	395233614	395233714	395238014	395238314	395238414	395238514	395238614	395238714	395238814	395238914	70.00	2.756	65.00	2.559
5.0mm, Euro Plug, Vertical, Rear Wire Entry	15	395233015	395233315	395233415	395233515	395233615	395233715	395238015	395238315	395238415	395238515	395238615	395238715	395238815	395238915	75.00	2.953	70.00	2.756
5.0mm, Euro Plug, Vertical, Rear Wire Entry	16	395233016	395233316	395233416	395233516	395233616	395233716	395238016	395238316	395238416	395238516	395238616	395238716	395238816	395238916	80.00	3.150	75.00	2.953
5.0mm, Euro Plug, Vertical, Rear Wire Entry	17	395233017	395233317	395233417	395233517	395233617	395233717	395238017	395238317	395238417	395238517	395238617	395238717	395238817	395238917	85.00	3.346	80.00	3.150
5.0mm, Euro Plug, Vertical, Rear Wire Entry	18	395233018	395233318	395233418	395233518	395233618	395233718	395238018	395238318	395238418	395238518	395238618	395238718	395238818	395238918	90.00	3.543	85.00	3.346
5.0mm, Euro Plug, Vertical, Rear Wire Entry	19	395233019	395233319	395233419	395233519	395233619	395233719	395238019	395238319	395238419	395238519	395238619	395238719	395238819	395238919	95.00	3.740	90.00	3.543
5.0mm, Euro Plug, Vertical, Rear Wire Entry	20	395233020	395233320	395233420	395233520	395233620	395233720	395238020	395238320	395238420	395238520	395238620	395238720	395238820	395238920	100.00	3.937	95.00	3.740
5.0mm, Euro Plug, Vertical, Rear Wire Entry	21	395233021	395233321	395233421	395233521	395233621	395233721	395238021	395238321	395238421	395238521	395238621	395238721	395238821	395238921	105.00	4.134	100.00	3.937
5.0mm, Euro Plug, Vertical, Rear Wire Entry	22	395233022	395233322	395233422	395233522	395233622	395233722	395238022	395238322	395238422	395238522	395238622	395238722	395238822	395238922	110.00	4.331	105.00	4.134
5.0mm, Euro Plug, Vertical, Rear Wire Entry	23	395233023	395233323	395233423	395233523	395233623	395233723	395238023	395238323	395238423	395238523	395238623	395238723	395238823	395238923	115.00	4.528	110.00	4.331
5.0mm, Euro Plug, Vertical, Rear Wire Entry	24	395233024	395233324	395233424	395233524	395233624	395233724	395238024	395238324	395238424	395238524	395238624	395238724	395238824	395238924	120.00	4.724	115.00	4.528

SEE SHEET 1 EC NO: NEC2006-0310 DRWNL: LROTHAUS 2006/01/09 CHKD: C.YORK 2006/01/09 APPR: J.P.AMLI CK 2006/01/10	QUALITY SYMBOLS ▽=0 ▽=0	GENERAL TOLERANCES (UNLESS SPECIFIED)		DIMENSION STYLE MM/IN		SCALE 4:1	DESIGN UNITS INCH	THIRD ANGLE PROJECTION
		4 PLACES ± --- ±.0015	3 PLACES ± 0.038 ±.005	DRAWN BY LROTHAUS	DATE 12/6/05	TITLE 5.0MM, EURO PLUG VERTICAL REAR WIRE ENTRY		
		2 PLACES ± 0.13 ±.01	1 PLACE ± 0.3 ± ---	CHECKED BY C. YORK	DATE 01/06/06			
		ANGULAR ± 2 °		APPROVED BY	DATE	MOLEX INCORPORATED		
DRAFT WHERE APPLICABLE MUST REMAIN WITHIN DIMENSIONS		MATERIAL NO. SEE CHART	DOCUMENT NO. SD-39523-001	SHEET NO. 2 OF 2				
THIS DRAWING CONTAINS INFORMATION THAT IS PROPRIETARY TO MOLEX INCORPORATED AND SHOULD NOT BE USED WITHOUT WRITTEN PERMISSION								