

Dialight

46 SERIES

4" Round LED Back-up Lamps



FEATURES / BENEFITS

- ▲ Industry standard 4" round design
- ▲ Unique potted design assures seal integrity
- ▲ Terminated with Packard Weather Pak connector
- ▲ Polycarbonate lens
- ▲ Lens hard-coating option to protect from chemicals and abrasion
- ▲ Available in grommet and flange mount versions
- ▲ Higher intensity version for single lamp applications available
- ▲ Reduced current draw
- ▲ Longer life

APPLICATION

The 46 series LED Back-up lamps were developed by Dialight for bus applications where increased safety and reliability are a major concern. These lamps were designed to conform to all of the FMVSS requirements for both existing and new vehicle designs.

The 46 series back-up lamps use Dialight's unique durable potted construction which results in a superior lamp seal. The use of integral wiring with sealed connectors results in unsurpassed lamp reliability and resistance to corrosion.

SPECIFICATIONS

Part Number	Voltage	Hard Coated
46001CB	12 Volts	No
46003CB	24 Volts	No
46121CB	12 Volts	Yes
46123CB	24 Volts	Yes
46261CB*	12 Volts	Yes
46263CB*	24 Volts	Yes

* = Black Flange Mount Product

Part Number	Description	Typical Power Ratings
46xx1CB	14 Volt White Back-up Lamp	180 mAmps @ 14 Volts
46xx3CB	24 Volt White Back-up Lamp	120 mAmps @ 24 Volts



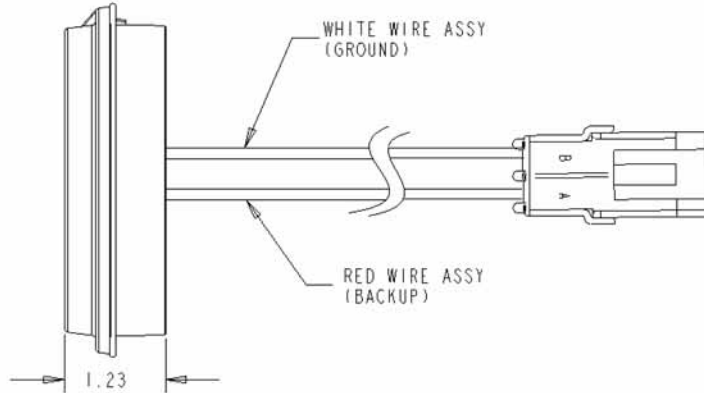
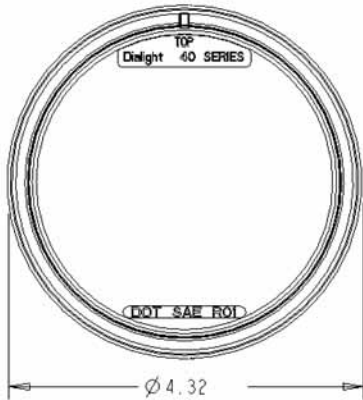
Dialight Corporation

1501 Route 34 South • Farmingdale, NJ 07727 USA
 Tel: (1) 732.919.3119 • Fax: (1) 732.751.5778 • www.dialight.com

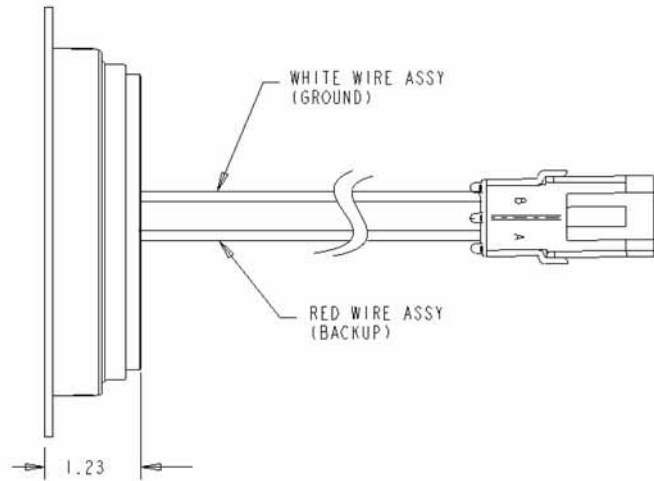
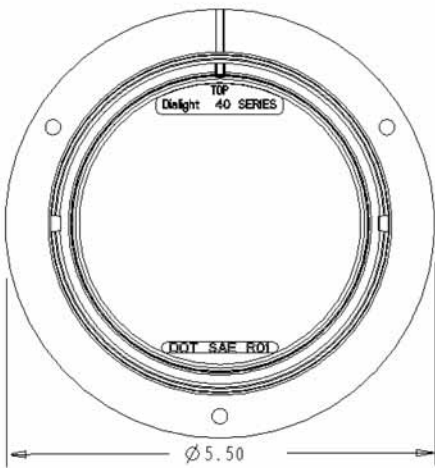
a Roxboro Group Company

MDTB46BX001_A

SPECIFICATIONS



Grommet Mount Mechanical



Flange Mount Mechanical



A4703



ISO 9001

Dialight Corporation

Dialight Corporation

1501 Route 34 South • Farmingdale, NJ 07727 USA

Tel: (1) 732.919.3119 • Fax: (1) 732.751.5778 • www.dialight.com



a Roxboro Group Company

MDTB46BX001_A