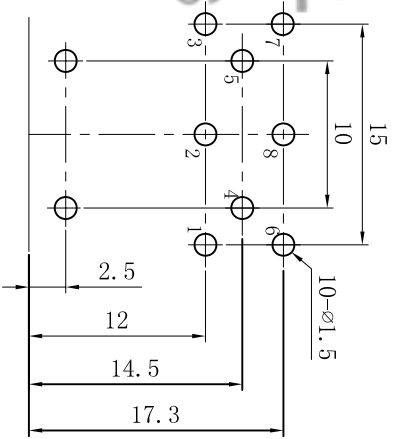


PCB板安装孔图



11	大直针	H62黄铜带 Y=0.6mm	1	D. Cu/Sn
10	右长针	H62黄铜带 Y=0.6mm	1	D. Cu/Sn
9	左长针	H62黄铜带 Y=0.6mm	1	D. Cu/Sn
8	右中针	H62黄铜带 Y=0.6mm	1	D. Cu/Sn
7	左中针	H62黄铜带 Y=0.6mm	1	D. Cu/Sn
6	左短针	H62黄铜带 Y=0.6mm	1	D. Cu/Sn
5	小直针	H62黄铜带 Y=0.6mm	1	D. Cu/Sn
4	右短针	H62黄铜带 Y=0.6mm	1	D. Cu/Sn
3	接地针	H62黄铜带 Y=0.25mm	1	D. Cu/Sn
2	后盖	PBT	1	黑色
1	底座	PBT	1	黑色

TOLERANCE UNLESS SPECIFIED		ANGULAR ±1°		NO		DATE		更新图面	
UP TO 5mm: ±0.1		ABOVE 5mm: ±0.2		A1		2018.4.13			
TITLE: DIN JACK				UNIT: MM		SCALE: 1:1		REVISIONS	
MODEL: DIN-804				ROHS COMPLIANT		DWN		BY	
				APPD		CHK'D		APPD	



HAOYU(HONGKONG)LIMITED
皓宇(香港)有限公司

PRO.AGL:
REV :A1