

4

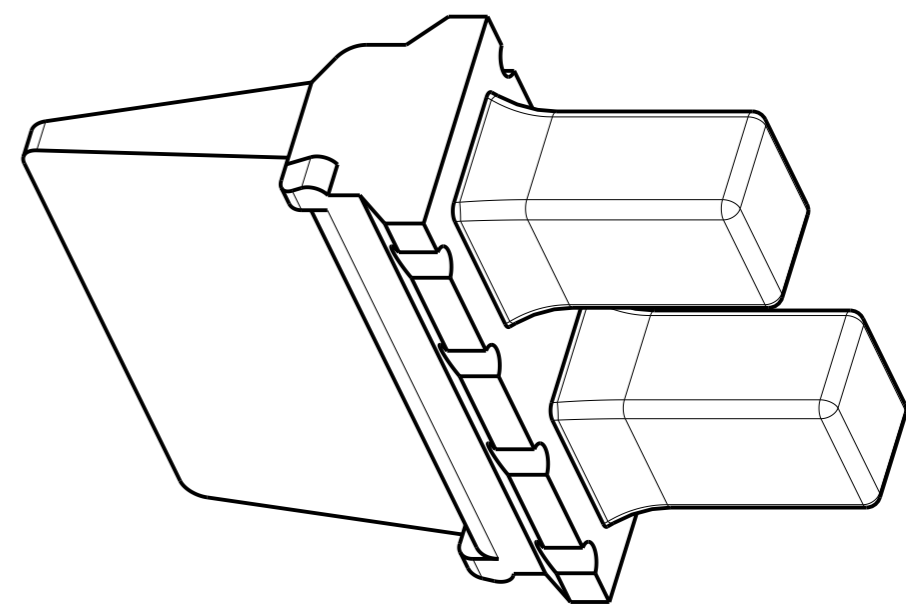
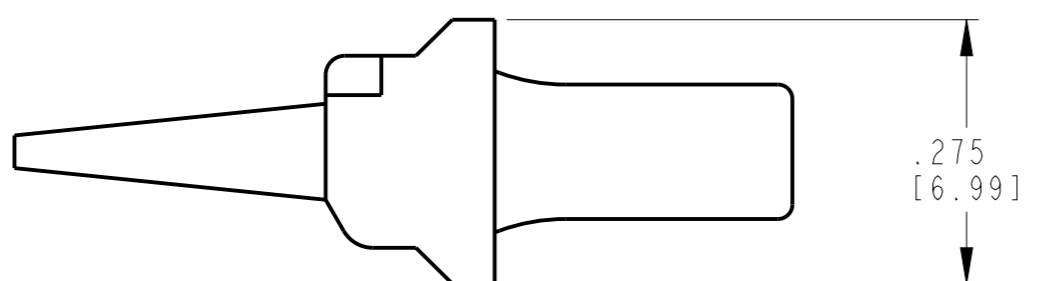
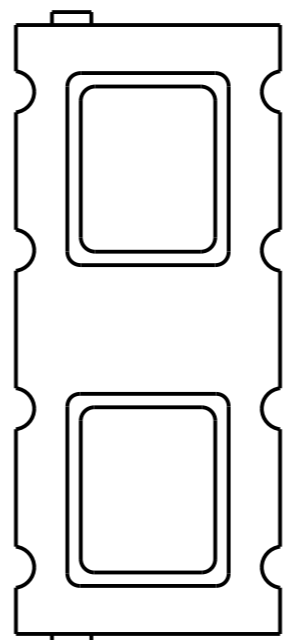
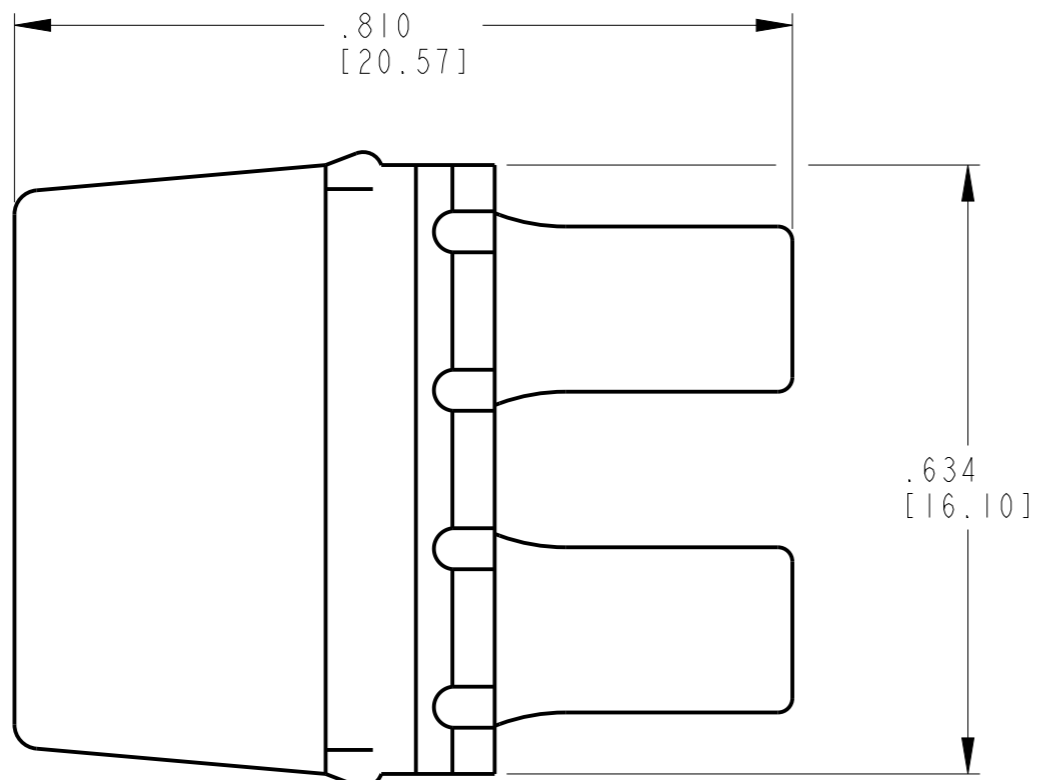
3

2

1

THIS DRAWING IS UNPUBLISHED. RELEASED FOR PUBLICATION 2014. ALL RIGHTS RESERVED. © COPYRIGHT 2013 BY TE CONNECTIVITY


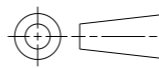
LOC		DIST		REVISIONS			
P	LTR	DESCRIPTION	DATE	DWN	APVD		
	NC	NEW RELEASE PER E.O. A14914	10-27-95		RDR		
	A	REDRAWN/REVISED PER E.O. P19530	5-29-07		RDR		
	B	REVISED PER ECO-14-008218	5-30-14	JA	DM		



2 MATERIAL: PLASTIC; COLOR: ORANGE.

1. THIS WEDGE LOCK MATES WITH DTM04-08P*-**** RECEPTACLE. (* = A,B,C,D KEYS; **** = ALL MODIFICATIONS). CONSULT FACTORY FOR MODS.

NOTES: UNLESS OTHERWISE SPECIFIED

THIS DRAWING IS A CONTROLLED DOCUMENT.		DWN 21MAY2014 JAIME C. APOSTOL		 TE Connectivity	
DIMENSIONS: INCHES [mm]		CHK 30MAY2014 ROBERT MILLIGAN			
		TOLERANCES UNLESS OTHERWISE SPECIFIED:		NAME WEDGE LOCK FOR 8 PIN RECEPTACLE HOUSING DTM SERIES	
		0 PLC ± 1 PLC ± 2 PLC ± 3 PLC ±.025 [0.64] 4 PLC ± ANGLES ±0°30'0"		APVD 30MAY2014 DAVID MEYER	
MATERIAL 2		FINISH		PRODUCT SPEC	
		WEIGHT 1.31g		APPLICATION SPEC	
		Customer Drawing		RESTRICTED TO	
		SCALE 5:1		SIZE A3 CAGE CODE 4AFU8 DRAWING NO. C=WM-8P	
		SHEET 1 OF 1		REV B	