

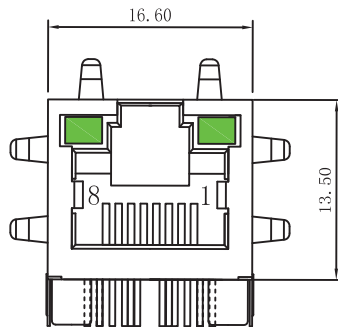
- 10/100/1000 Base-T for LAN and other Ethernet Applications
- Designed to meet IEEE802.3
- RJ45 jack cavity conforms to FCC rules and regulations Part 68, SUB Part F
- Standard Temp: 0°C to +70°C

Electrical Specifications @ 25°C						
Part Number	OCL(uH Min) @ 100kHz	Turns Ratio (± 3%) TX/RX	Cross Talk (dB Min)			HI-POT (Test)
	With 0.1V 8mA DC Bias		1-30MHz	30-60MHz	60-100MHz	(Vrms Min)
AR11-4325	350	1CT:1CT	-40	-35	-30	1500

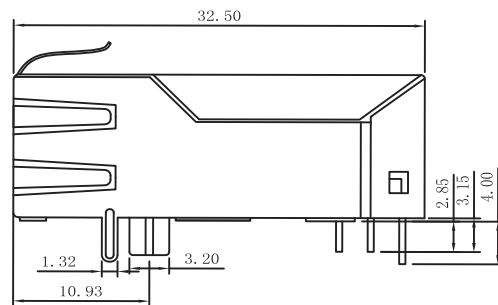
Electrical Specifications @ 25°C					
Part Number	Insertion Loss (dB Max)	Return Loss (dB Min)			CMR (dB Min)
	1-100MHz	1-30MHz	30-60MHz	60-100MHz	1-100MHz
AR11-4325	-1.0	-18	-15	-12	-30

All specifications subject to change without notice.

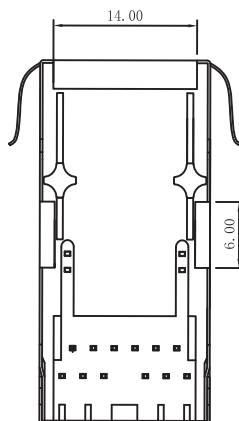
MECHANICAL



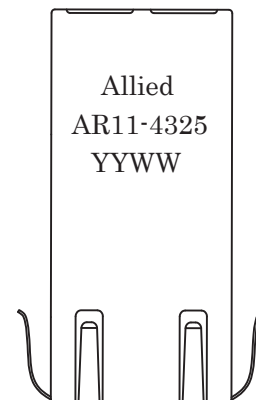
Front Side View



Left Side View



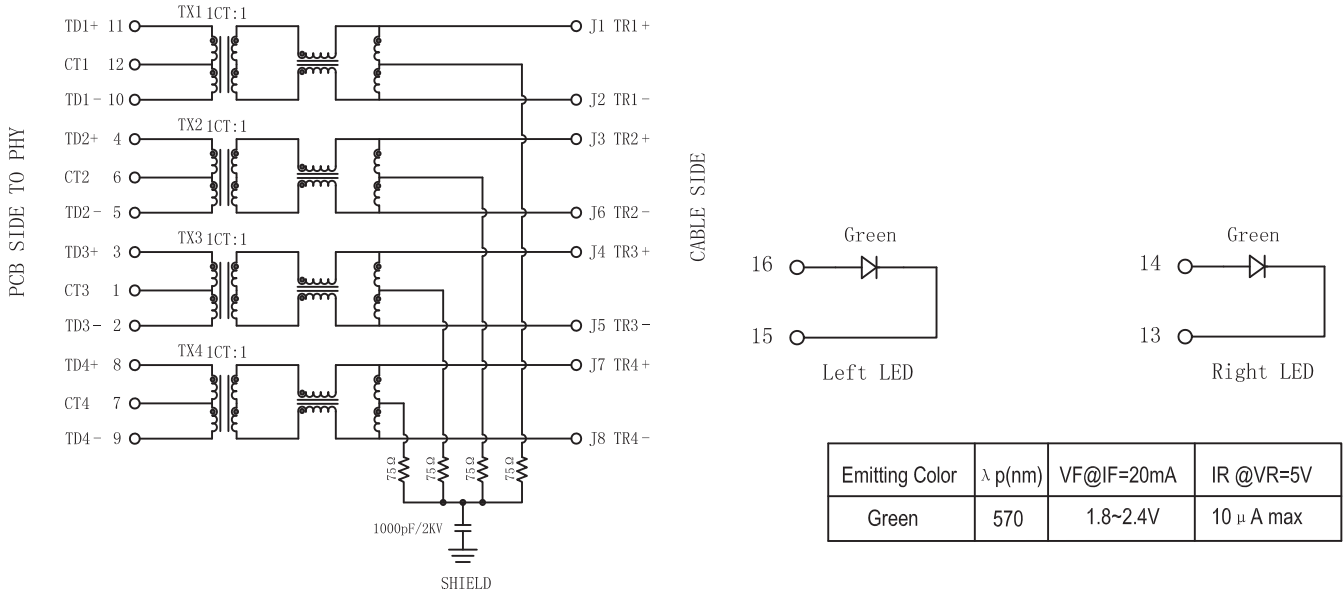
Bottom Side View



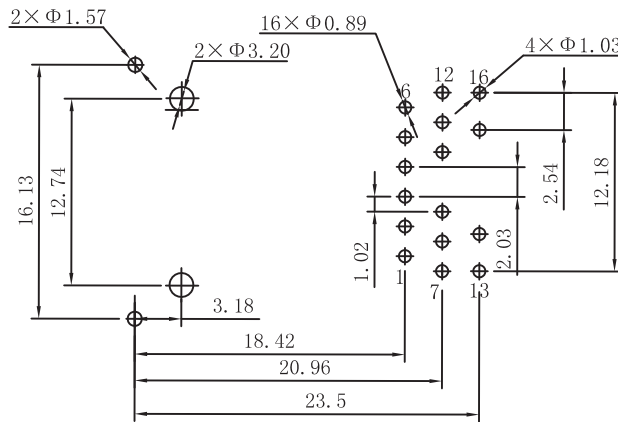
Top Side View



SCHEMATICS



PCB LAYOUT



NOTES

1. Meets IEEE 802.3 specification
2. Connector Materials:
 Housing: Thermoplastic UL94V-0
 Contact/Shield: Copper alloy
 Shield plating: Nickel
 Contact plating: Gold 6 micro-inches min. In contact area.
3. Wave solder tip temperature: 265°C Max, 5 Sec Max