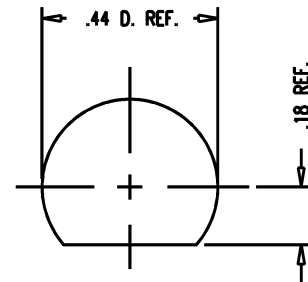
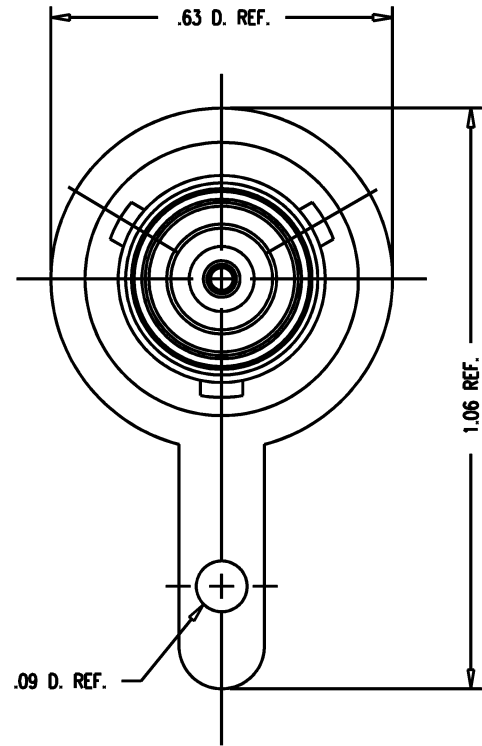
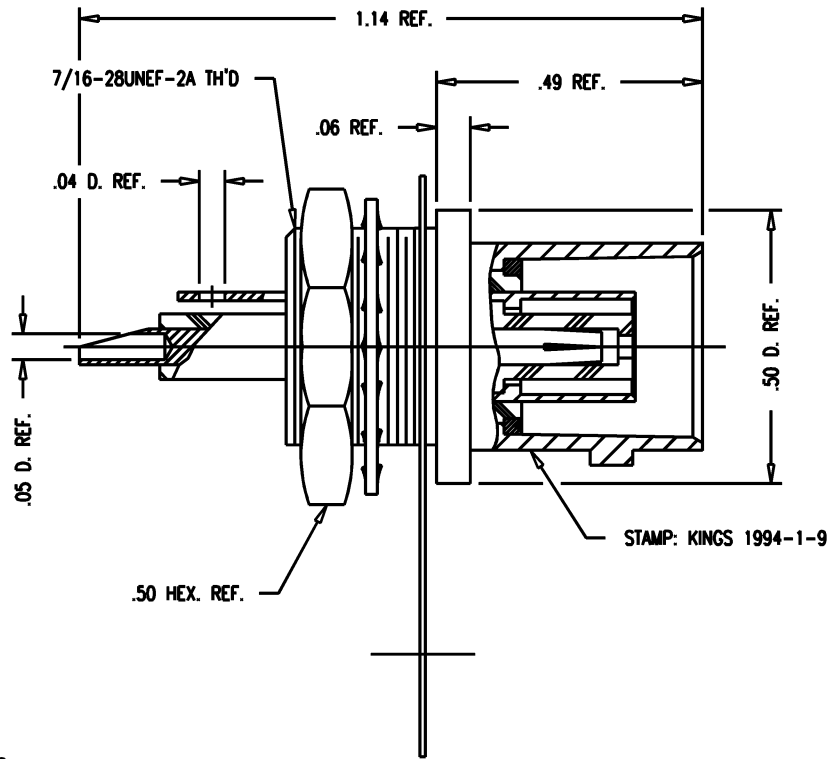


DASH NO.	M CODE	MADE FROM
----------	--------	-----------

GSD

1994-1-9

REVISIONS	
ISSUE	CHANGES
5	CN 33012 A REDRAWN WJM 04/03/91
6	CN 35074 D MJB 11/09/93



MOUNTING HOLE

GSD

NOTES:

- FOR USE WITH .122 MAX. PANEL THICKNESS.
- INTERFACE PER MIL-STD-348, FIG. 201-2.
- MATERIALS:
INSULATORS: TEFLON, ASTM -D-1457
CENTER CONTACT: BER. COPPER, ASTM-B-196
ALL OTHER METAL PARTS: BRASS, QQ-B-626
- FINISHES:
ALL CONTACTS: HARD GOLD PLATE, PER MIL-G-45204
GROUNDING LUG: HOT TIN DIP, PER MIL-T-10727
ALL OTHER METAL PARTS: KINGS TARNISH RESISTANT FINISH (TR-5)
- ELECTRICAL CHARACTERISTICS:
NOMINAL IMPEDANCE: NON-CONSTANT
WORKING VOLTAGE: 400 VRMS
FREQUENCY RANGE: DC TO 5 MHz.
- SAME AS TROMPETER BJ77 IN FORM, FIT & FUNCTION.

WJM0927

SCALE 4:1	
APPROX SURFACE AREA	
WAS: E-4723	
USED ON	
REF:	
RECEPTACLE, BULKHEAD, TRB	
DRAWN WJM	DATE 04/04/91
DESIGN VLS	DATE 05/03/91
APPR.	DATE

KINGS
ELECTRONICS CO., INC.
TUCKAHOE, NEW YORK 10707

1994-1-9