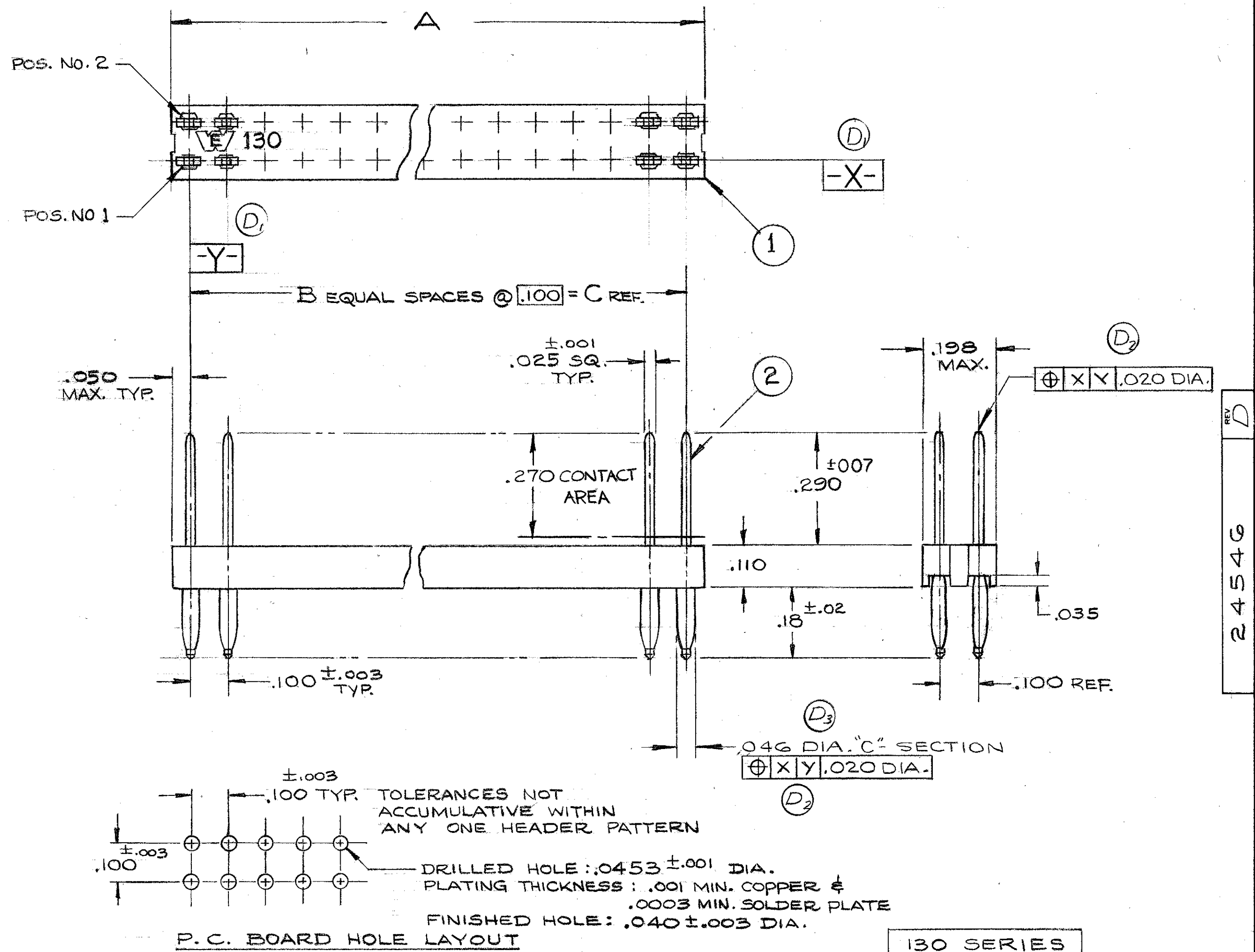


- ① HEADER : MAT'L - THERMOPLASTIC POLYESTER - GLASS FILLED COLOR - BLACK
- ② CONTACT : MAT'L - COPPER NI ALLOY 725 Δ = 428 : FINISH - .000030 MIN. GOLD OVER .000050 MIN. TO .000150 MAX. NICKEL ON CONTACT AREA, AND .000050 TO .000100 SOLDER ON TAIL.

D	130-D50-Δ	100	4.998	49	4.900
"	D49 "	98	4.898	48	4.800
"	D48 "	96	4.798	47	4.700
"	D47 "	94	4.698	46	4.600
"	D46 "	92	4.598	45	4.500
"	D45 "	90	4.498	44	4.400
"	D44 "	88	4.398	43	4.300
"	D43 "	86	4.298	42	4.200
"	D42 "	84	4.198	41	4.100
"	D41 "	82	4.098	40	4.000
"	D40 "	80	3.998	39	3.900
"	D39 "	78	3.898	38	3.800
"	D38 "	76	3.798	37	3.700
"	D37 "	74	3.698	36	3.600
"	D36 "	72	3.598	35	3.500
"	D35 "	70	3.498	34	3.400
"	D34 "	68	3.398	33	3.300
"	D33 "	66	3.298	32	3.200
"	D32 "	64	3.198	31	3.100
"	D31 "	62	3.098	30	3.000
"	D30 "	60	2.998	29	2.900
"	D29 "	58	2.898	28	2.800
"	D28 "	56	2.798	27	2.700
"	D27 "	54	2.698	26	2.600
"	D26 "	52	2.598	25	2.500
"	D25 "	50	2.498	24	2.400
"	D24 "	48	2.398	23	2.300
"	D23 "	46	2.298	22	2.200
"	D22 "	44	2.198	21	2.100
"	D21 "	42	2.098	20	2.000
"	D20 "	40	1.998	19	1.900
"	D19 "	38	1.898	18	1.800
"	D18 "	36	1.798	17	1.700
"	D17 "	34	1.698	16	1.600
"	D16 "	32	1.598	15	1.500
"	D15 "	30	1.498	14	1.400
"	D14 "	28	1.398	13	1.300
"	D13 "	26	1.298	12	1.200
"	D12 "	24	1.198	11	1.100
"	D11 "	22	1.098	10	1.000
"	D10 "	20	.998	9	.900
"	D09 "	18	.898	8	.800
"	D08 "	16	.798	7	.700
"	D07 "	14	.698	6	.600
"	D06 "	12	.598	5	.500
"	130-D05-Δ	10	.498	4	.400
CATALOG PT. NO.		NO. OF POS.	A	B	C REF.



1	RELEASED EWR 11-84 EN 18655	3-21-86 DONNA	7-1-86 A.E.H.	9-30-86 J.E.R.
2	ADDED 270 CONTACT AREA ECR 314 VAD			
3	ADDED .050 WIDE RIB			
4	ADDED .050 X .007 GATE WAS .210 ±.005 ECR # 3257 EN-1889B VAD			
5	ADDED DATUM			
6	ADDED TELE. NOS.			
7	ADDED .046 DIA. "C" SECTION			
8	ECR 0095			
9	EN 19003 VAD			

GENERAL NOTES UNLESS OTHERWISE SPECIFIED:

- ALL DIMENSIONS ARE IN INCHES.
- ALL DIMENSIONS ARE TO MAX.
- REMOVE ALL BURRS TO .005 R. MAX.
- BREAK ALL SHARP EDGES EQ. TO .005 R. MAX. ON INSIDE CORNERS.
- ALL DIAMETERS CONCENTRIC T.I.R. MAX.
- GENERAL SURFACE FINISH TO BE .8 MAX.
- TOLERANCES

CLASSIFICATION OF CHARACTERISTICS PER MIL-STD 105

MAJOR MINOR

130 SERIES

TITLE C-PRESS STRIP HEADER OUTLINE (DUAL .100 X .100 GRID)

SCALE 4:1

DR DONNA CKD JAD APD [Signature]

DATE 10-4-85 DATE 10/10/85 DATE 1-7-86

WINCHESTER ELECTRONICS DIVISION OF LITTON SYSTEMS INCORPORATED WATERTOWN, CONNECTICUT

DWG C 24546 REV D