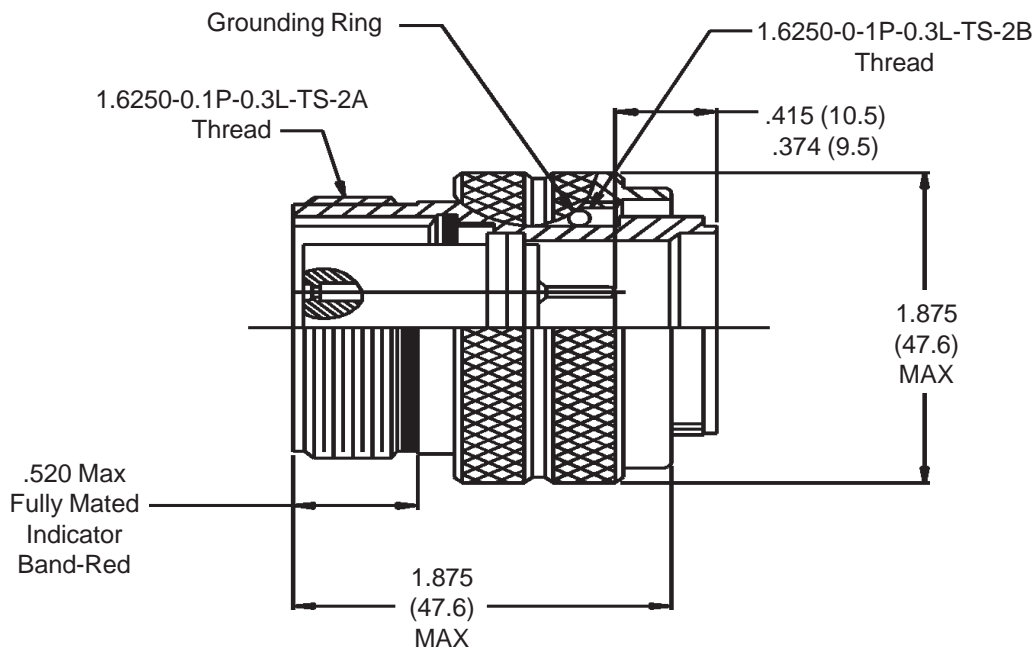


Designed to Mate with MIL-STD-1760 Lanyard Release
Plug Connectors per MIL-STD-D38999/31

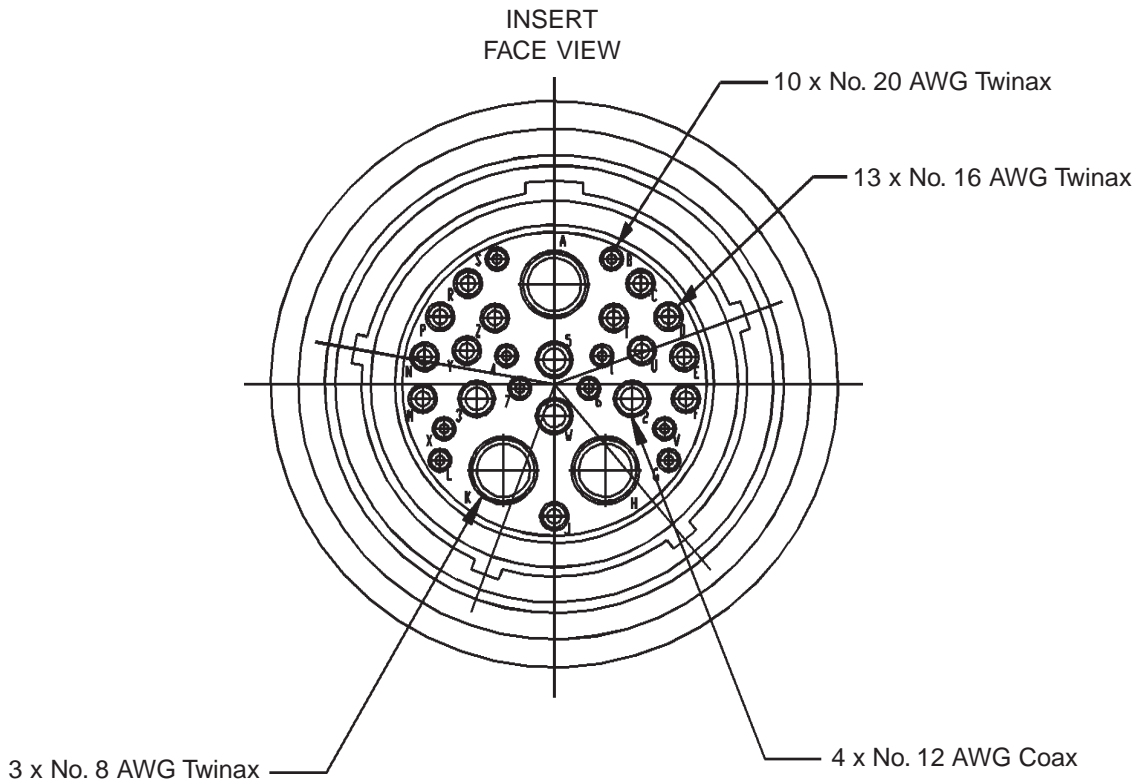


Designed to Mate with
MIL-STD-1760
Lanyard Release
Plug Connectors per
MIL-STD-38999/31

Design Features:

- Incorporates all MIL-STD-D38999 Series III design features.
- Intermateable with D38999/20, /24, and /31 Connectors
- Insert Arrangement 25-20 compatible with MIL-STD-1553 Aircraft Multiplex Data Bus.

Metric Dimensions (mm) are indicated in parentheses.



20-20 INSERT ARRANGEMENT							
Shell Size Code	Shell Size Ref	Insert Arrangement Dash No.	Total Number of Contacts	Contact Size (AWG)			
				20	16	12 (Coax)	8 (Twinax)
J	25	25-20	30	Quantity			
				10	13	4	3