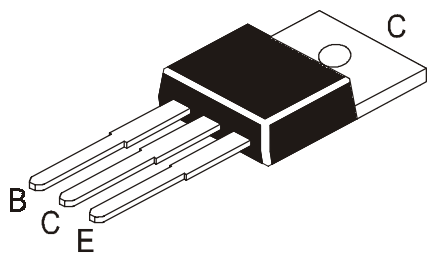


**PNP SILICON EPITAXIAL POWER DARLINGTON TRANSISTOR**

**CSB1626**



**TO-220  
Plastic Package**

**Complementary CSD2495**

**ABSOLUTE MAXIMUM RATINGS (Ta=25°C)**

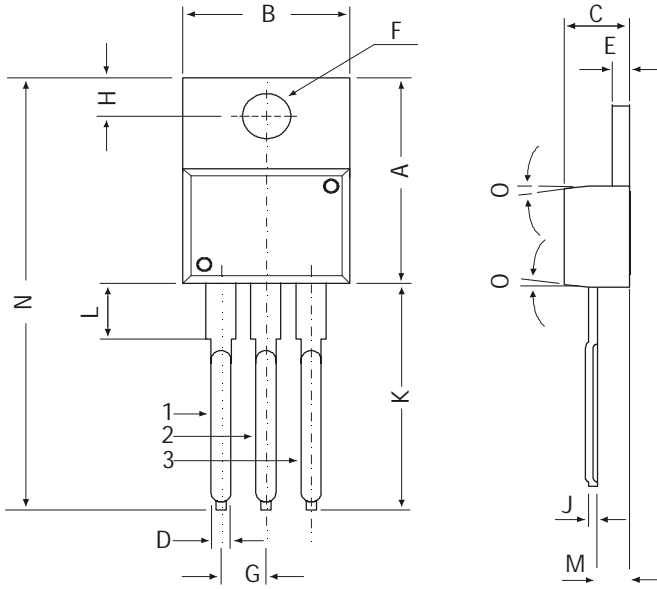
DESCRIPTION	SYMBOL	VALUE	UNIT
Collector -Base Voltage(open emitter)	$V_{CBO}$	110	V
Collector -Emitter Voltage(open base)	$V_{CEO}$	110	V
Emitter Base Voltage(open collector)	$V_{EBO}$	5.0	V
Collector Current	$I_C$	6.0	A
Base Current	$I_B$	1.0	A
Total Power Dissipation upto Tc=25°C	$P_{tot}$	30	W
Junction Temperature	$T_j$	150	°C
Storage Temperature	$T_{stg}$	-65 to +150	°C

**ELECTRICAL CHARACTERISTICS (Tc=25°C Unless Otherwise Specified)**

DESCRIPTION	SYMBOL	TEST CONDITION	MIN	TYP	MAX	UNIT
Collector Cut off Current	$I_{CBO}$	$V_{CB}=110V, I_E=0$			100	$\mu A$
Emitter Cut off Current	$I_{EBO}$	$V_{EB}=5V, I_C=0$			2	mA
Breakdown Voltages	$V_{CEO}$	$I_C=30mA, I_B=0$	110			V
Collector Emitter Saturation Voltage	$V_{CE(sat)}$	$I_C=5A, I_B=5mA$			2.5	V
	$V_{BE(sat)}$	$I_C=5A, I_B=5mA$			3	V
DC Current Gain	$h_{FE}$	$I_C=5A, V_{CE}=4V$	5		30	K
	<b>O/P</b> $h_{FE}$		5		20	K
Transistors frequency	$f_T$	$I_C=0.5A, V_{CE}=12V$		60		MHz
Output Capacitance	$C_{ob}$	$V_{CB}=10V, I_E=0, f=1MHz$		55		pF

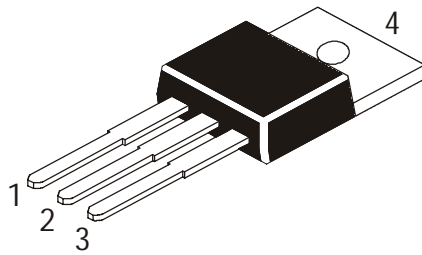
**TO-220  
Plastic Package**

**TO-220 Plastic Package**



DIM	MIN	MAX
A	14.42	16.51
B	9.63	10.67
C	3.56	4.83
D	—	0.90
E	1.15	1.40
F	3.75	3.88
G	2.29	2.79
H	2.54	3.43
J	—	0.56
K	12.70	14.73
L	2.80	4.07
M	2.03	2.92
N	—	31.24
O	7 DEG	

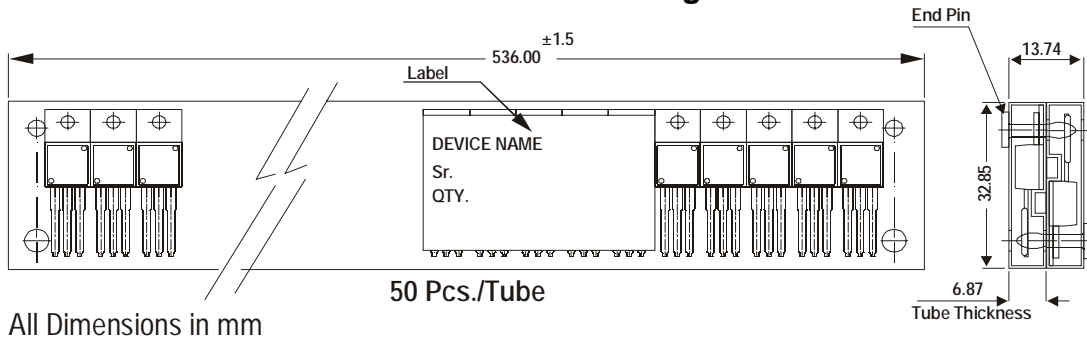
All dimensions in mm.



**Pin Configuration**

- 1. Base
- 2. Collector
- 3. Emitter
- 4. Collector

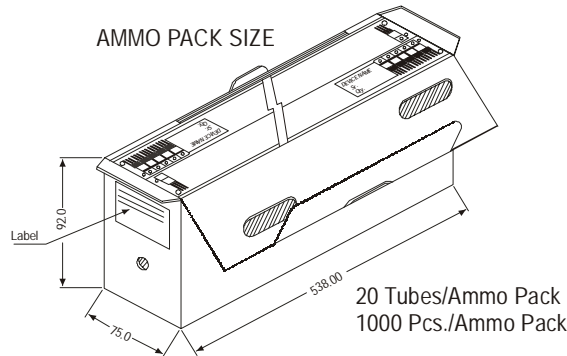
**TO-220 Tube Packing**



All Dimensions in mm

50 Pcs./Tube

**AMMO PACK SIZE**



**Packing Detail**

PACKAGE	STANDARD PACK		INNER CARTON BOX		OUTER CARTON BOX		
	Details	Net Weight/Qty	Size	Qty	Size	Qty	Gr Wt
TO-220 / FP	200 pcs/polybag	396 gm/200 pcs	3" x 7.5" x 7.5"	1.0K	17" x 15" x 13.5"	16.0K	36 kgs
	50 pcs/tube	120 gm/50 pcs	3.5" x 3.7" x 21.5"	1.0K	19" x 19" x 19"	10.0K	29 kgs

### **Disclaimer**

The product information and the selection guides facilitate selection of the CDIL's Discrete Semiconductor Device(s) best suited for application in your product(s) as per your requirement. It is recommended that you completely review our Data Sheet(s) so as to confirm that the Device(s) meet functionality parameters for your application. The information furnished in the Data Sheet and on the CDIL Web Site/CD are believed to be accurate and reliable. CDIL however, does not assume responsibility for inaccuracies or incomplete information. Furthermore, CDIL does not assume liability whatsoever, arising out of the application or use of any CDIL product; neither does it convey any license under its patent rights nor rights of others. These products are not designed for use in life saving/support appliances or systems. CDIL customers selling these products (either as individual Discrete Semiconductor Devices or incorporated in their end products), in any life saving/support appliances or systems or applications do so at their own risk and CDIL will not be responsible for any damages resulting from such sale(s).

CDIL strives for continuous improvement and reserves the right to change the specifications of its products without prior notice.



CDIL is a registered Trademark of

**Continental Device India Limited**

C-120 Naraina Industrial Area, New Delhi 110 028, India.

Telephone + 91-11-2579 6150, 5141 1112 Fax + 91-11-2579 5290, 5141 1119

email@cdil.com www.cdilsemi.com