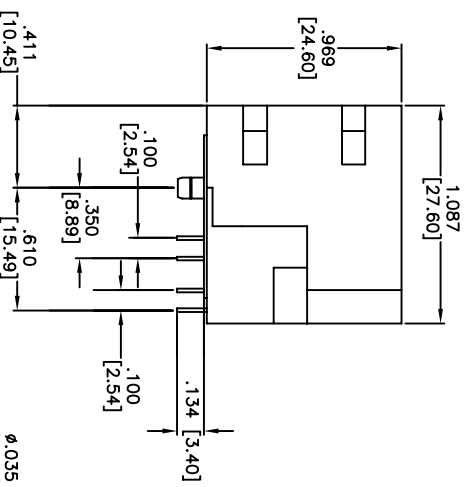
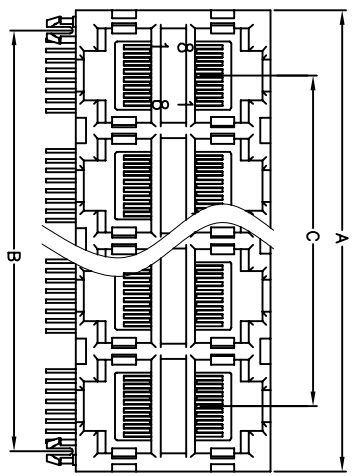


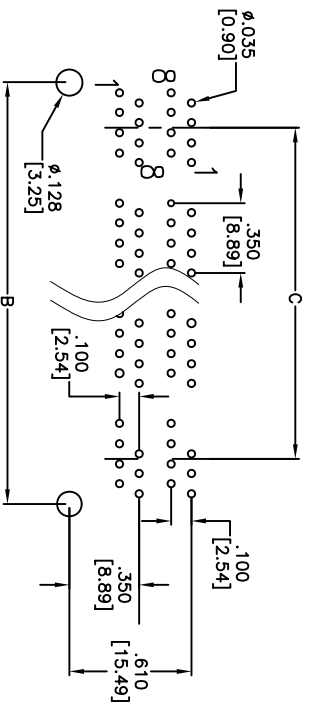
Rev	AWO #	Description	Date	Appr
-		RELEASED	5/12/09	

APPROVED: \_\_\_\_\_  
 DATE: \_\_\_\_\_ TITLE: \_\_\_\_\_

PART NUMBER	PORTS	DIMENSIONS		
		A	B	C
MTJG-4-88UX1	2 X 2	1.199 [30.46]	1.000 [25.40]	.550 [13.97]
MTJG-6-88UX1	2 X 3	1.749 [44.43]	1.550 [39.37]	1.100 [27.94]
MTJG-8-88UX1	2 X 4	2.299 [58.40]	2.100 [53.34]	1.650 [41.91]
MTJG-10-88UX1	2 X 5	2.849 [72.37]	2.650 [67.31]	2.200 [55.88]
MTJG-12-88UX1	2 X 6	3.430 [87.12]	3.200 [81.28]	2.750 [69.85]
MTJG-16-88UX1	2 X 8	4.500 [114.30]	4.300 [109.22]	3.850 [97.79]



"X" PLATING
0 15 uin Gold
1 30 uin Gold
2 50 uin Gold



RECOMMENDED PCB LAYOUT

**SPECIFICATIONS:**

Material: Insulator: PA66, rated UL 94V-0

Insulator color: Black

Contacts: Phosphor Bronze

Plating: X plating over Nickel underplate on contact area, Tin over Copper underplate on PCB tails. (See chart for thickness)

Electrical: Operating voltage: 125 VAC max  
 Current rating: 1.5 Amps max  
 Contact resistance: 40 mohms max  
 Insulation resistance: 1000 Mohms min @ 500 VDC  
 Dielectric withstanding voltage: 1000 VAC for 1 minute

Temperature Rating: Operating temperature: -40°C to +85°C

Environmental: Lead free, RoHS Compliant



Recommended soldering temp: 235°C for 5 seconds

**ADAM TECH**

909 Rahway Avenue, Union, NJ 07083  
 Phone: 908-687-5000 Fax: 908-687-5710

MODULAR JACK GANGED, 8P8C

UNLESS OTHERWISE SPECIFIED ALL DIMENSIONS ARE MM [INCHES] TOLERANCES: EXCEPT AS NOTED		DRAWN: DY		DATE: 5/12/09	
.X ± .10	ØX ± .10	APPROVALS:			
.XX ± .020	ØXXX ± .015	CHECKED:	SIZE: X	PART NO.: MTJG-X-88UX1	REV.:
.XXX ± .015	ØXXX ± .010	APPROVED:	REF: S00005C	SCALE: NTS	SHEET 1 OF 1