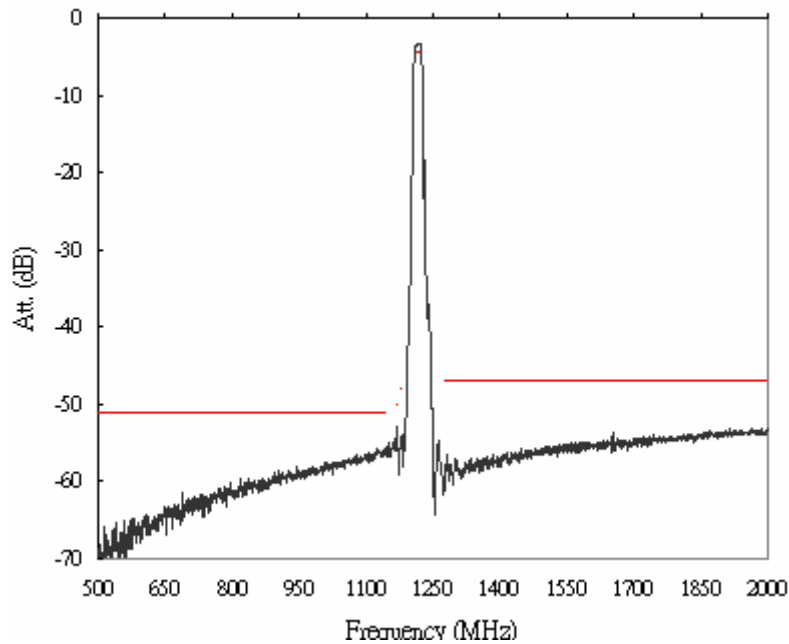
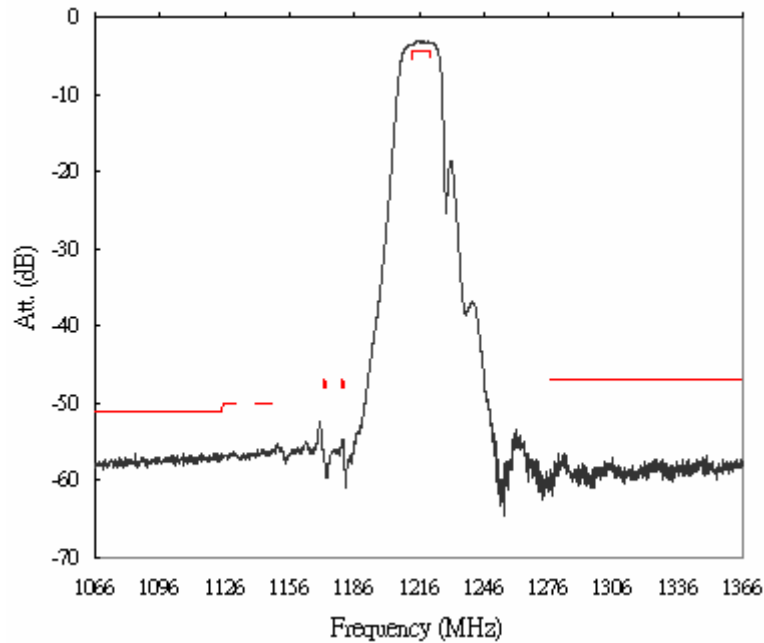




DESCRIPTION

Miniature 1216 MHz SAW Filter in a 3.0 x 3.0 mm surface mount package which can be used as the IF filter for a CATV set top box or cable modem tuner.

TYPICAL PERFORMANCE





MAXIMUM RATINGS

Parameter	Min	Max	Units
Operating Temperature Range	-35	+75	°C
Storage Temperature Range	-40	+85	°C
D. C. Voltage		0	V
Input Power Level		10	dBm

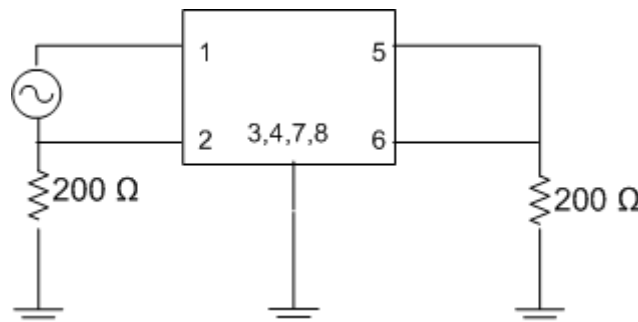
SPECIFICATION

Parameter	Min	Typ	Max	Units
Center Frequency, F_c		1216		MHz
Insertion Loss ¹		3.8	5.5	dB
Passband Amplitude Ripple, peak to peak ¹		0.5	1.2	dB
Bandwidth-3dB	16	18.3		dB
Bandwidth-12dB		22.9		dB
Stopband Rejection ² , 0 to 1125 MHz	51	56		dB
Stopband Rejection ² , 1125 to 1131 MHz	50	56		dB
Stopband Rejection ² , 1140 to 1148 MHz	50	56		dB
Stopband Rejection ² , 1128 MHz	50	56		dB
Stopband Rejection ² , 1144 MHz	50	56		dB
Stopband Rejection ² , 1172 MHz	47	55		dB
Stopband Rejection ² , 1180 MHz	47	54		dB
Stopband Rejection ² , 1276 to 2000 MHz	47	53		dB
Group delay variation, peak to peak ¹		10		nsec
Source/Load Impedance	200/200			Ω

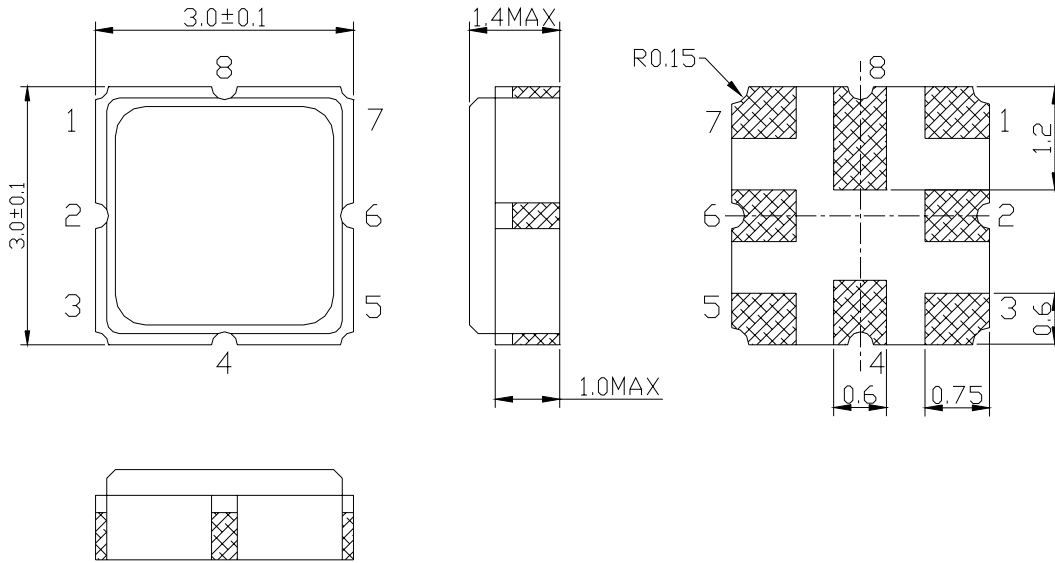
- Notes: 1. Over 1212 to 1220 MHz.
2. Rejection relative to insertion loss.

TEST CIRCUIT

200 Ohm balanced
No matching circuit required



PACKAGE OUTLINE

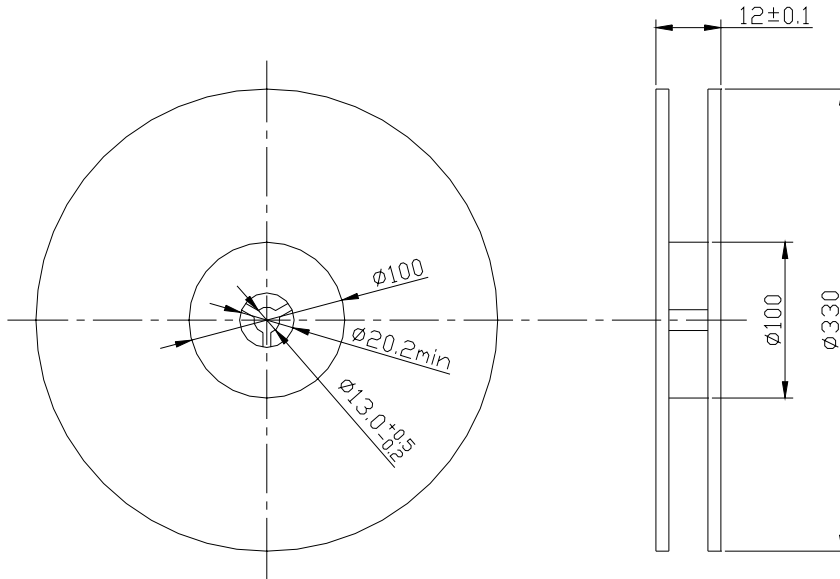


DIMENSIONS ARE IN MM

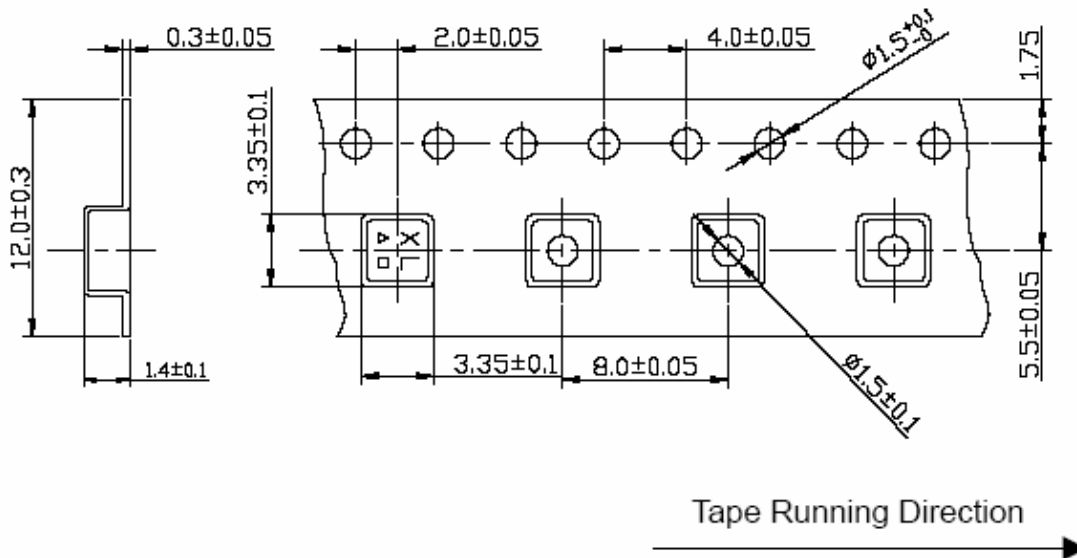
PIN CONFIGURATION	
1	BALANCED INPUT
2	BALANCED INPUT
3	GROUND
4	PACKAGE GROUND
5	BALANCED OUTPUT
6	BALANCED OUTPUT
7	GROUND
8	PACKAGE GROUND

TAPE AND REEL DIMENSIONS

1,000 pcs per reel



Unit: mm



All specifications are believed to be accurate and reliable. However, ICS reserves the right to make changes without notice.
 © 2005 Integrated Circuit Systems, Inc. All rights reserved.