

**PLEASE CHECK WWW.MOLEX.COM FOR LATEST PART INFORMATION**

**Part Number:** [0444783111](#)  
**Status:** **Active**  
**Overview:** [minifit\\_plus\\_hcs](#)  
**Description:** Mini-Fit HCS™ Crimp Terminal, 16 AWG, Reel, Copper (Cu) Alloy, Tin (Sn)

**Documents:**

[Drawing \(PDF\)](#) [RoHS Certificate of Compliance \(PDF\)](#)

**General**

Product Family	Crimp Terminals
Series	<a href="#">44478</a>
Comments	High Current
Crimp Quality Equipment	Yes
Overview	<a href="#">minifit_plus_hcs</a>
Product Name	Mini-Fit HCS™

**Physical**

Gender	Male
Material - Metal	High Performance Alloy (HPA)
Material - Plating Mating	Tin
Material - Plating Termination	Tin
Packaging Type	Reel
Plating min: Mating (µin)	101.6
Plating min: Mating (µm)	2.54
Plating min: Termination (µin)	101.6
Plating min: Termination (µm)	2.54
Termination Interface: Style	Crimp or Compression
Wire Insulation Diameter	1.80-3.10mm (.071-.122")
Wire Size AWG	16
Wire Size mm²	N/A

**Electrical**

Current - Maximum per Contact	11A
-------------------------------	-----

**Material Info**

**Reference - Drawing Numbers**

Packaging Specification	PK-44478-001
Product Specification	RPS-44476-001
Sales Drawing	SD-44478-****

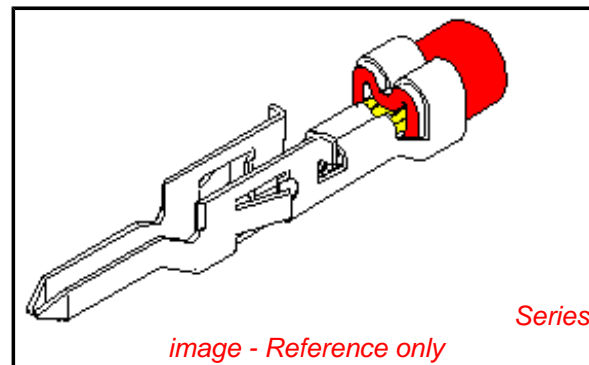


image - Reference only

**EU RoHS**

**ELV and RoHS  
Compliant**  
**REACH SVHC  
Contains SVHC: No**  
**Halogen-Free  
Status**  
**Halogen-Free**

**China RoHS**



**Need more information on product  
environmental compliance?**

Email [productcompliance@molex.com](mailto:productcompliance@molex.com)  
 For a multiple part number RoHS Certificate of  
 Compliance, [click here](#)

Please visit the [Contact Us](#) section for any  
 non-product compliance questions.

**Search Parts in this Series**

[44478Series](#)

**Application Tooling | FAQ**

*Tooling specifications and manuals are  
 found by selecting the products below.  
 Crimp Height Specifications are then  
 contained in the Application Tooling  
 Specification document.*

**Global**

Description	Product #
Hand Crimp Tool for Mini-Fit™ Jr. Male and Female Crimp Terminals, 16-24 AWG	<a href="#">0638190900</a>
Extraction Tool	<a href="#">0011030044</a>
T2 Terminator	<a href="#">0639102800</a>
Tooling Die FineAdjust™ Applicator	<a href="#">0639002800</a>
FineAdjust™ Applicator	<a href="#">0639003000</a>
T2 Terminator	<a href="#">0639103000</a>
Tooling Die	

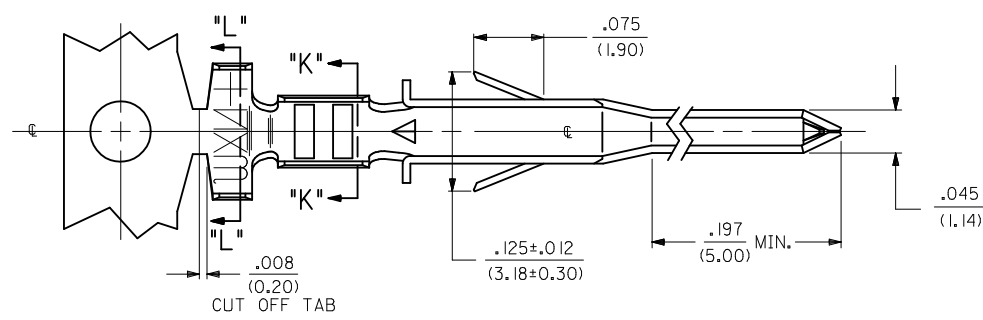
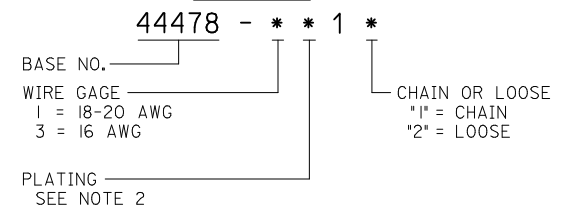
FineAdjust™ 0639015300  
Applicator for Mini-Fit  
Jr.™, Mini-Fit HCS™  
Crimp Terminals, 16  
AWG and smaller  
insulation

This document was generated on 05/27/2010

**PLEASE CHECK [WWW.MOLEX.COM](http://WWW.MOLEX.COM) FOR LATEST PART INFORMATION**

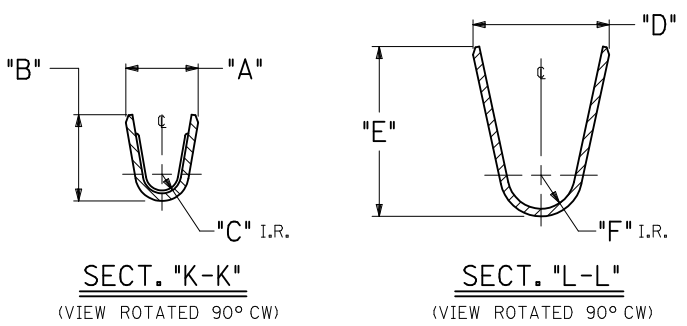
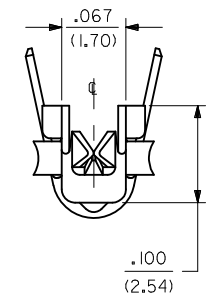
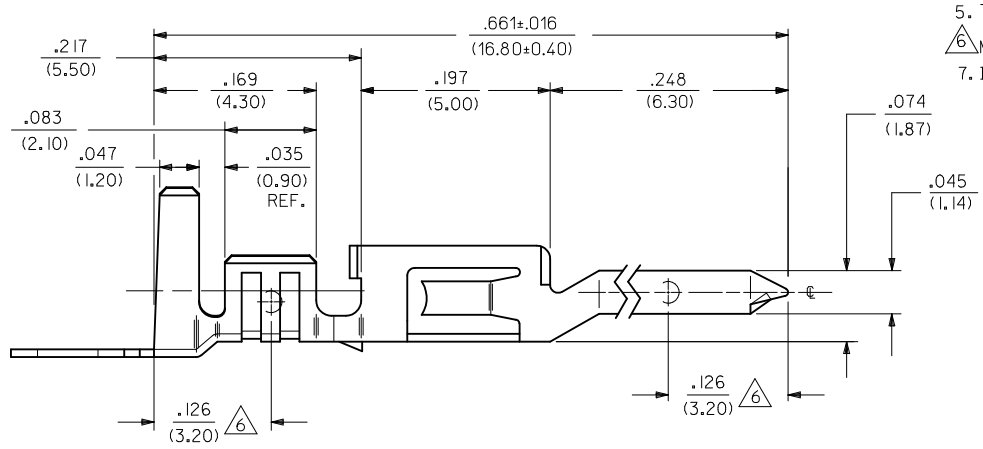
ITEM NO.	FORM	WIRE GAGE	RANGE OF INSULATION DIA.	DIM. "A"	DIM. "B"	DIM. "C"	DIM. "D"	DIM. "E"	DIM. "F"
44478-1111	CHAIN	18-20 GA.	.051-.122	.075±.012	.091±.016	.020	.142±.012	.177±.016	.035
44478-1112	LOOSE		(1.30-3.10)	(1.90±.30)	(2.30±.40)	(.50)	(3.60±.30)	(4.50±.40)	(.90)
44478-3111	CHAIN	16 GA.	.122	.091±.012	.106±.016	.024	.142±.012	.177±.016	.035
44478-3112	LOOSE		(3.10) MAX.	(2.30±.30)	(2.70±.40)	(.60)	(3.60±.30)	(4.50±.40)	(.90)
44478-1211	CHAIN	18-20 GA.	.051-.122	.075±.012	.091±.016	.020	.142±.012	.177±.016	.035
44478-1212	LOOSE		(1.30-3.10)	(1.90±.30)	(2.30±.40)	(.50)	(3.60±.30)	(4.50±.40)	(.90)
44478-3211	CHAIN	16 GA.	.122	.091±.012	.106±.016	.024	.142±.012	.177±.016	.035
44478-3212	LOOSE		(3.10) MAX.	(2.30±.30)	(2.70±.40)	(.60)	(3.60±.30)	(4.50±.40)	(.90)

**LEGEND:**



**NOTES:**

- MATERIAL:**  
COPPER ALLOY, .008/(0.20) THICK.
- FINISH:**  
\*1= PLATING: POSTPLATE .000100/(.00254) MIN. BRIGHT TIN OVER .000030/(.00076) MIN. NICKEL OVERALL.  
\*2= PLATING: POSTPLATE .000030/(.000076) MIN. SELECT GOLD AND .000100/(0.00254) MIN. MATTE TIN OVER .000050/(.00127) MIN. NICKEL OVERALL.  
\*THE PRIMARY SHIPPING CARTON WILL BE LABELED \*COMPLIANT TO RoHS DIRECTIVE 2002/95/EC AND ELV ANNEX II OF DIRECTIVE 2000/53/EC.\* CARTONS WITHOUT THIS LABEL MAY CONTAIN PRODUCT WITH TIN-LEAD PLATING.
- PRODUCT SPECIFICATION** PS-44476-001.
- PACKAGING SPECIFICATION:** PK-44478-001 FOR CHAIN TERMINALS  
PK-5556-003 FOR LOOSE TERMINALS
- TERMINAL IS FOR USE WITH MOLEX PLUG HOUSINGS** 5559, 30068 AND 42475.
- MEASURING POINT FOR PLATING THICKNESS.
- ITEM NUMBERS PRECEDED BY AN \*X\* IN THE CHART ARE NOT AVAILABLE.



<b>MODIFIED NOTES</b> EC NO: UCP2010-0471 DRWN: JAGUILAR 2009/12/23 CHKD: J BELL 2009/12/23 APPR: FSMITH 2009/12/28 REV: G1	QUALITY SYMBOLS ▽=0 ▽=0	GENERAL TOLERANCES (UNLESS SPECIFIED) <table border="1"> <thead> <tr> <th></th> <th>mm</th> <th>INCH</th> </tr> </thead> <tbody> <tr> <td>4 PLACES ± ---</td> <td>± ---</td> <td>± ---</td> </tr> <tr> <td>3 PLACES ± ---</td> <td>± .010</td> <td>± .010</td> </tr> <tr> <td>2 PLACES ± 0.25</td> <td>± .015</td> <td>± .015</td> </tr> <tr> <td>1 PLACE ± 0.38</td> <td>± ---</td> <td>± ---</td> </tr> </tbody> </table>		mm	INCH	4 PLACES ± ---	± ---	± ---	3 PLACES ± ---	± .010	± .010	2 PLACES ± 0.25	± .015	± .015	1 PLACE ± 0.38	± ---	± ---	DIMENSION STYLE <b>IN/MM</b>	SCALE <b>10:1</b>	DESIGN UNITS <b>METRIC</b>	THIRD ANGLE PROJECTION
		mm	INCH																		
	4 PLACES ± ---	± ---	± ---																		
	3 PLACES ± ---	± .010	± .010																		
2 PLACES ± 0.25	± .015	± .015																			
1 PLACE ± 0.38	± ---	± ---																			
DRAWN BY GEP 1994/07/25	CHECKED BY R J F 1994/07/25	APPROVED BY R J F 1994/07/25	<b>TERMINAL, MALE, CRIMP MINI-FIT JR HCS SERIES</b>																		
MATERIAL NO. <b>SEE CHART</b>	DOCUMENT NO. <b>SD-44478-****</b>	SHEET NO. <b>1 OF 1</b>	<b>MOLEX INCORPORATED</b>																		
DRAFT WHERE APPLICABLE MUST REMAIN WITHIN DIMENSIONS			THIS DRAWING CONTAINS INFORMATION THAT IS PROPRIETARY TO MOLEX INCORPORATED AND SHOULD NOT BE USED WITHOUT WRITTEN PERMISSION																		