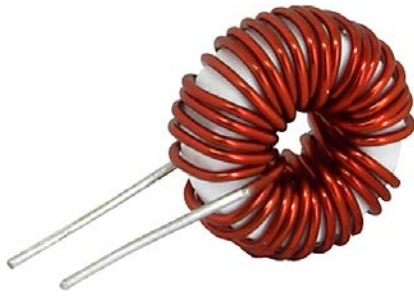


Linear Choke, open version, without socket



See below:

Approvals and Compliances

Description

- Linear choke
- Wire leads
- Open version without socket and chassis

Applications

- Smoothing RFI suppression choke
- RFI suppression choke
- Chopper amplifiers
- DC drives and stepper motor controls
- Switching power supplies

Weblinks

[pdf datasheet](#), [html-datasheet](#), [General Product Information](#), [Distributor-Stock-Check](#), [Detailed request for product](#)

Technical Data

	to 600 VDC		
Rated Current	0.45 - 7 A @ Ta 70 °C	Isolation Voltage	2 kV eff., winding to ambient
Rated inductance	0.02 - 5 mH, Tol. ±15%	Climatic Category	40/125/21 acc. to IEC 60068-1
Power Operating Frequency	up to 20 kHz	Allowable Operation Temp.	-40 °C to 125 °C
Terminal Type	Wire leads		
Weight	10 - 12 g		

Approvals and Compliances

Detailed information on product approvals, code requirements, usage instructions and detailed test conditions can be looked up in [Details about Approvals](#)

SCHURTER products are designed for use in industrial environments. They have approvals from independent testing bodies according to national and international standards. Products with specific characteristics and requirements such as required in the automotive sector according to IATF 16949, medical technology according to ISO 134485 or in the aerospace industry can be offered exclusively with customer-specific, individual agreements by SCHURTER.

Application standards

Application standards where the product can be used

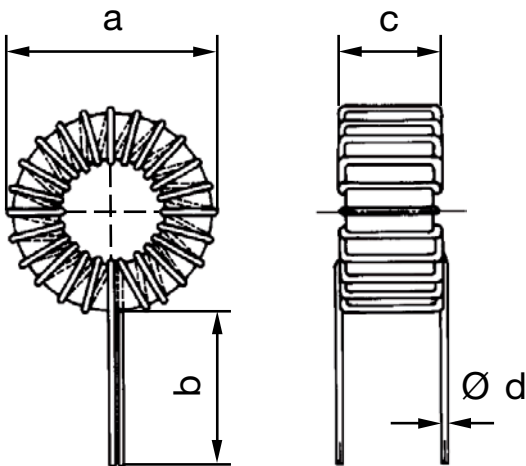
Organization	Design	Standard	Description
	Designed for applications acc.	IEC/UL 60950	IEC 60950-1 includes the basic requirements for the safety of information technology equipment.
	Designed for applications acc.	IEC 60601-1	Medical electrical equipment - Part 1: General requirements for basic safety and essential performance

Compliances

The product complies with following Guide Lines

Identification	Details	Initiator	Description
	CE declaration of conformity	SCHURTER AG	The CE marking declares that the product complies with the applicable requirements laid down in the harmonisation of Community legislation on its affixing in accordance with EU Regulation 765/2008.
	RoHS	SCHURTER AG	EU Directive RoHS 2011/65/EU
	China RoHS	SCHURTER AG	The law SJ / T 11363-2006 (China RoHS) has been in force since 1 March 2007. It is similar to the EU directive RoHS.
	REACH	SCHURTER AG	On 1 June 2007, Regulation (EC) No 1907/2006 on the Registration, Evaluation, Authorization and Restriction of Chemicals 1 (abbreviated as "REACH") entered into force.

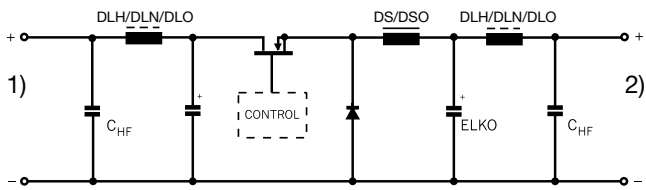
Dimension [mm]



Dimensions: see table of variants

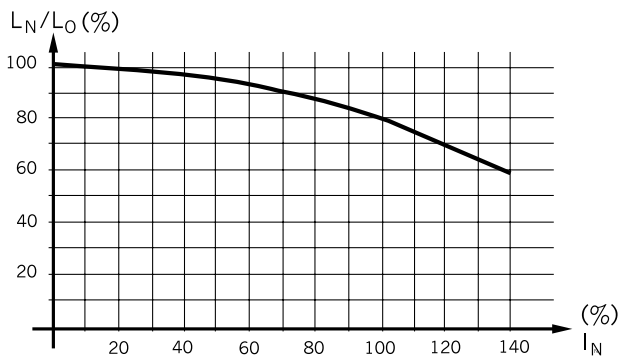
Diagrams

Application in DC-DC Converter



- 1) DC-Input unregulated
- 2) DC-Output regulated

Derating Curves



Inductance variation as function of the magnetizing current

All Variants

I_n [A]	L_n [mH]	R_{Cu} [mΩ]	f_{RES} [MHz]	Inductance drop max [%]	A [mm]	B [mm]	C [mm]	D [mm]	Weight [g]	Packing unit [pcs.]	Order Number
0.45	5	3000	0.3	20	20 mm	15 mm	10 mm		10 g	200	DL01-24-0008
0.6	3	1550	0.4	20	20 mm	36 mm	10 mm		11 g	200	DL01-24-0007
1.0	1	600	0.8	20	20 mm	15 mm	10 mm		10 g	200	DL01-24-0006
1.5	0.5	280	1.3	20	20 mm	15 mm	10 mm		10 g	200	DL01-24-0005
1.8	0.3	178	2	20	20 mm	15 mm	10 mm		10 g	200	DL01-24-0004
3	0.1	70	8.2	20	20 mm	36 mm	10 mm		10 g	200	DL01-24-0003
4.5	0.05	26	8.4	20	20 mm	15 mm	10 mm	0.9 mm	11 g	200	DL01-24-0002
7	0.02	12	20.2	20	20 mm	36 mm	10 mm	1.2 mm	12 g	150	DL01-24-0001

I_n [A]	L_n [mH]	R_{cu} [mΩ]	f_{RES} [MHz]	Inductance drop max [%]	A [mm]	B [mm]	C [mm]	D [mm]	Weight [g]	Packing unit [pcs.]	Order Number
-----------	------------	---------------	-----------------	-------------------------	--------	--------	--------	--------	------------	---------------------	--------------

R_{cu} bei T_u 20°C
Inductance drop with I_n
Derating at $T_u > 70^\circ\text{C}$: $I = I_{nX} \cdot ((125 - T_u) / 55)^{0.5}$

Availability for all products can be searched real-time: <https://www.schurter.com/en/Stock-Check/Stock-Check-SCHURTER>