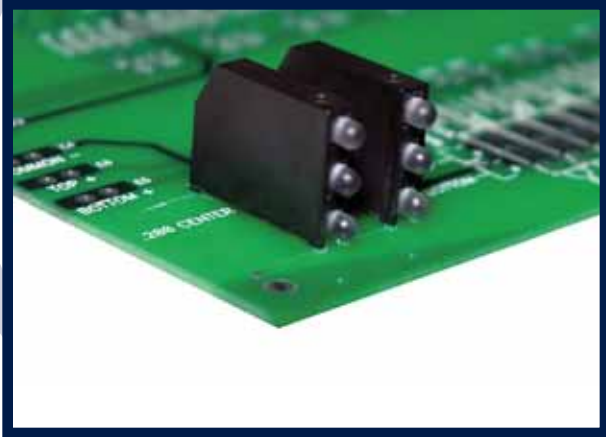




593 SERIES

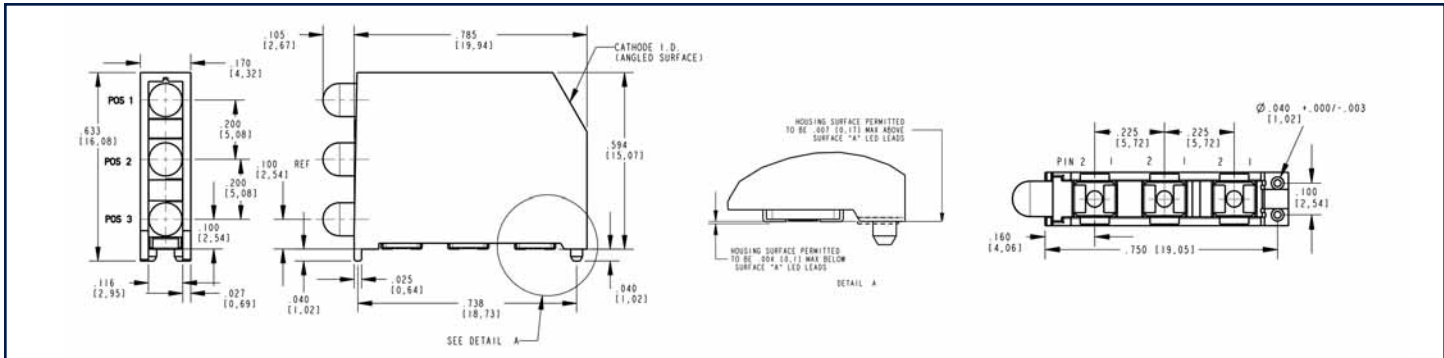
3mm Tri-level Prism[®] CBI[®]
Surface Mount LED
BRIGHT SINGLE COLOR



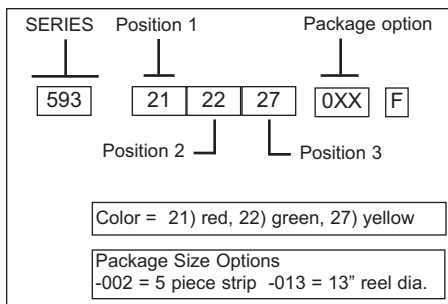
FEATURES / BENEFITS

- ▲ RoHS Compliant
- ▲ Incorporates latest LED technology, specifically designed for surface mounting
- ▲ Compatible with automatic placement equipment
- ▲ Compatible with surface mount reflow soldering processes
- ▲ Black housing enhances contrast ratio
- ▲ Housing material meet UL-94V-0 flammability ratings
- ▲ Patented Tri-level design provides increased indication without increased space
- ▲ Illumination areas compatible with industry standard 3mm through-hole Tri-level Circuit Board Indicators
- ▲ Packaged in moisture barrier bags for dry packaging per IPC/JEDEC J-STD-033, moisture sensitivity level 2
- ▲ Helps to eliminate mixed technology pc board processing

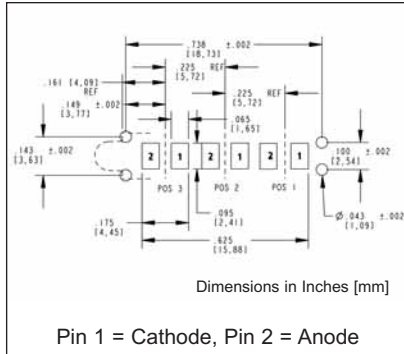
SPECIFICATIONS



PART NUMBER CODE*



PART NUMBER	COLOR COMBO
593-212121-0XXF	ALGaAS RED/ALGaAS RED/ALGaAS RED
593-222222-0XXF	GREEN/GREEN/GREEN
593-272727-0XXF	AlInGaP Yellow/AlInGaP Yellow/AlInGaP Yellow



Note: Custom color combinations available upon request. Check with factory for details.

Dialight Corporation

1501 Route 34 South • Farmingdale, NJ 07727 USA
 Tel: (1) 732-919-3119 • Fax: (1) 732-751-5778 • www.dialight.com



MDEF593D001_A



593 SERIES

3mm Tri-level Prism® CBI®

Surface Mount LED

BRIGHT SINGLE COLOR

ABSOLUTE MAXIMUM RATINGS (TA= 25°C)

PARAMETER	21	22	27
COLOR	AlGaAs Red	Green	AllnGaP Yellow
POWER DISSIPATION (derate linearly from 60°C mA°C)	90mW 0.75	95mW 0.75	80mW (From 85°C) 1.0
FORWARD DC CURRENT	30mA	30mA	30mA
PEAK FORWARD CURRENT (µsec)	0.5 amp	0.5 amp	0.2 amp
OPERATING TEMPERATURE	-40°C To +100°C	-40°C To +100°C	-40°C To +100°C
STORAGE TEMPERATURE	-40°C To +100°C	-40°C To +100°C	-40°C To +100°C
SOLDERING TEMPERATURES IR REFLOW FOR LEAD FREE SOLDERING, RoHS	260°C (+0°C / -5°C) For 30 Seconds		

OPERATING CHARACTERISTICS (TA= 25°C)

PARAMETER	PART NO.	COLOR	MIN	TYP	MAX	UNITS	TEST COND.
Forward Voltage V _F	21	AlGaAs Red		1.75	2.5	V	I _F =10mA
	22	Green		2.0	2.5		
	27	AllnGaP Yellow	1.9	2.0	2.4		
Reverse Voltage V _R	21	AlGaAs Red		12		V	I _F =10µA
	22	Green		12			
	27	AllnGaP Yellow		12			
Dominant Wavelength Dom	21	AlGaAs Red		645		nm	
	22	Green	564	570	576		
	27	AllnGaP Yellow	580	587	595		
Luminous Intensity I _v	21	AlGaAs Red	22	29	36	mcd	I _F =20mA
	22	Green	9	16	22		
	27	AllnGaP Yellow	40	80	130		
Viewing Angle (2θ 1/2)	21	AlGaAs Red		40		deg.	
	22	Green		40			
	27	AllnGaP Yellow		40			

DIALIGHT RESERVES THE RIGHT TO MAKE CHANGES AT ANY TIME IN ORDER TO SUPPLY THE BEST PRODUCT POSSIBLE.



Dialight Corporation
 1501 Route 34 South • Farmingdale, NJ 07727 USA
 Tel: (1) 732-919-3119 • Fax: (1) 732-751-5778 • www.dialight.com



MDEF593D001_A