

Directional Coupler

NEW!
Z30-16-5-75

75Ω

5 to 1500 MHz



CASE STYLE: K18
CONNECTORS: BNC
PRICE: \$29.95 ea. QTY (1-24)

Maximum Ratings

Operating Temperature	-55°C to 100°C
Storage Temperature	-55°C to 100°C

Coaxial Connections

PORT	db
INPUT	1
OUTPUT	2
COUPLED	3

Features

- very flat coupling
- very broad, multi-octave
- all welded construction
- protected by U.S. Patent 6140887 & 6784531

Applications

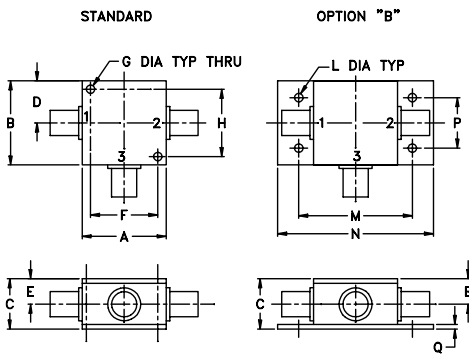
- VHF/UHF
- instrumentation
- communications receivers & transmitters
- cable tv

Electrical Specifications (T_{AMB}= -55°C to 100°C)

FREQ. RANGE (MHz)	COUPLING (dB)		MAINLINE LOSS ¹ (dB)			DIRECTIVITY (dB)			VSWR (:1)	POWER INPUT, W							
	Nom.	Typ. Flatness	L Typ.	M Typ.	U Typ.	L Typ.	M Typ.	U Typ.		L Max.	MU Max.						
5-1000	16.5±0.5	±0.5	1.1	2.0	1.1	1.6	1.2	1.7	22	16	24	16	24	—	1.30	0.5	1.0
1000-1500	17.7±0.5	±0.7	—	—	1.3	1.9	—	—	—	19	—	—	—	—	1.30	0.5	1.0

L = low range [f_L to 10 f_L] M = mid range [10 f_L to f_U/2] U = upper range [f_U/2 to f_U]
1. Mainline loss includes theoretical power loss at coupled port.

Outline Drawing



Outline Dimensions (inch mm)

A	B	C	D	E	F	G	H
1.25	1.25	.75	.63	.38	1.00	.125	1.00
31.75	31.75	19.05	16.00	9.65	25.40	3.18	25.40

J	K	L	M	N	P	Q	wt
--	--	.125	1.688	2.18	2.18	.07	grams
--	--	3.18	42.88	55.37	55.37	1.78	70.0

Typical Performance Data

Frequency (MHz)	Insertion Loss (dB) In-Out	Coupling (dB) In-Cpl	Directivity (dB)	Return Loss (dB)		
				In	Out	Cpl
5.00	1.15	16.13	22.69	18.09	20.51	15.57
100.00	1.12	16.12	22.52	19.15	21.83	16.44
200.00	1.11	16.15	23.21	19.20	22.15	16.67
400.00	1.09	16.29	25.72	20.37	23.93	16.35
500.00	1.16	16.45	27.66	20.02	21.60	15.53
600.00	1.19	16.57	28.98	19.57	20.47	14.96
700.00	1.19	16.65	28.99	19.24	20.31	14.28
900.00	1.20	16.91	24.93	19.23	20.36	13.11
1000.00	1.20	17.08	22.79	19.29	18.32	12.70
1500.00	1.37	18.42	14.32	19.15	16.30	10.13

