

PPC-4211W

21.5" Fanless Wide Screen Panel PC with Intel Core i5 Celeron Processor

NEW



Features

- 21.5" Full HD entirely flat panel with Projected capacitive touchscreen
- High performance Intel Core i CPU with Fanless design
- Supports 2 x 2.5" HDD Bay (supports Intel RAID)
- PCIe x4 / x1 or PCI expansion support
- Automatic data flow control over RS-485
- Wide Range DC 12-32 V support
- Dual Gigabit Ethernet, support IEEE1588
- 3 x Independent display

Introduction

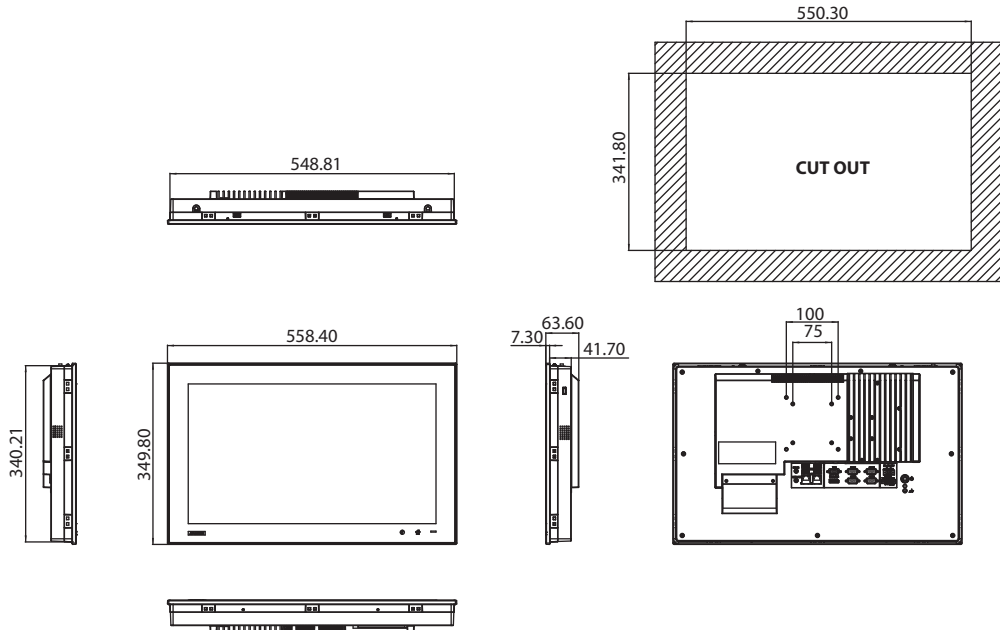
The PPC-4211W is a new generation Panel PC with Full HD (1920 x 1080) screen. The large panel help you to display more yet important information in one screen. The most important, system equips with high performance Intel Core i CPU but the heat can be dispatched easily by high efficiency fanless thermal design. This makes HMI a big step forward to consolidate performance and reliability in one system. Besides, with rich I/O as 5 x COM, 5 x USB and dual Gigabit Ethernet make it easier to connect to devices and be integrated into machine building industry. Moreover, with PCIe x4 expansion to add on field bus or proprietary card makes more application possibility. The last but not least, the multi touch screen makes the HMI more intuitive, brings you the best operate experience.

Specifications

Processor system	CPU	Intel 4th Generation Core i CPU i5-4300U, 2C, 3M, up to 2.9GHz Celeron 2980U, 2C, 2M, 1.6GHz
	Memory	SO-DIMM x1, DDR3L1333/1600, Max 8GB
	2nd Cache Memory	3 MB / 2 MB
	Storage	mSATA*1
	HDD	2 x 2.5" SATA HDD Bay (supports Intel RAID)
	I/O Ports	5 x Serial ports: 4 x RS-232, 1 x RS-422/485 with isolation 1K V _{oc} 4 x USB 3.0 ports in rear side, 1 x USB 2.0 in right side 1 x Line-out, 1x MIC-in 1 x DB15 VGA 1 x Display Port (1.2)
	Bus Expansion	1 x MINI PCIe, 1 x PCIe x4 (support x1) or 1 x PCI (either one)
	Network (LAN)	2 x 10/100/1000 Mbps Ethernet, Intel I211-AT, Intel I218LM
	Speaker	2 x 1W
	Watchdog Timer	255 timer levels; setup by software
	Dimensions	557.77 x 349.17 x 63.6 mm
Weight	7.8 Kg	
OS support	OS Support	Win 7/Win 8/Win 8.1/Linux
Power supply	Input Voltage	DC 12-32V
Power Consumption	i5-4300U	66W
	Celeron 2980U	58W (8G DDR3L, USB x 4, COM x 4, USB mouse, 2.5" HDD 500G x 2, Win7 64bit, Burn-in 7.0)
LCD Display	Display Type	21.5" TFT LCD (LED Backlight)
	Max. Resolution	1920 x 1080
	Colors	16.7M
	Viewing Angle	178 Horizontal, 178 Vertical
	Luminance(cd/m2)	300
	Brightness Control	Yes (by BIOS)
	Backlight Lifetime	50,000 hrs(typ.)
Touchscreen	Touch Type	Projected Capacitive multi touch 10 point
	Resolution	2048 x 2048
	Light Transmission	88 % ± 2 %
	Controller	USB interface
Environment	Operating Temperature	0 ~ 50° C (32 ~ 122° F)
	Storage Temperature	-20 ~ 60° C (-4 ~ 140° F)
	Relative Humidity	10 ~ 95% @ 40° C (non-condensing)
	Shock	Operating 10 G peak acceleration (11 ms duration), follow IEC 60068-2-27
	Vibration	Operating Random Vibration Test 5-500Hz, 1Grms, follow IEC 60068-2-64
	EMC	BSMI, CE, FCC Class B
	Safety	CB, CCC, BSMI, UL
Front Panel Protection	IP65 compliant	

Dimensions

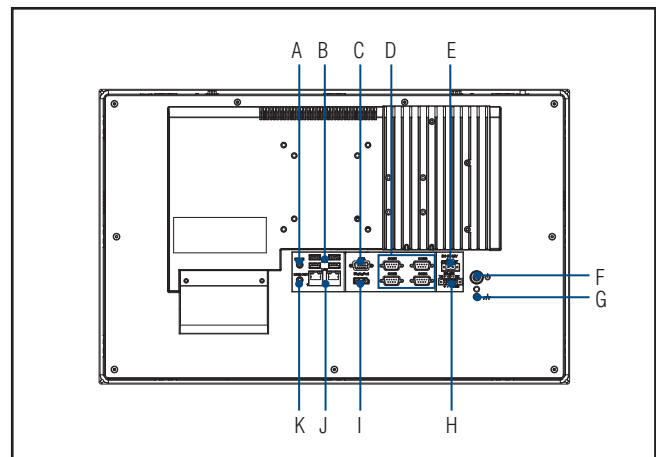
Unit: mm



Ordering Information

Part No	Description
PPC-4211W-P5AE	21.5 Wide screen PPC with PCT Multi-touch, Intel Core i5-4300U up to 2.9GHz
PPC-4211W-PCAE	21.5 Wide screen PPC with PCT Multi-touch, Intel Celeron 2980U 1.6GHz
1702002600	Power Cable UL/CSA (USA) 180D 125V10A 1.83M
1702002605	Power Cable 90D 220V EUROPEAN 250V/6A 1.8M
PS-DC19-150AE	19V DC 150W Power Adapter Module For PPC Product
PPC-174T-WL-MTE	Wall mount kit for PPC series
PPC-ARM-A03	PPC ARM VESA Standard
PPC-WLAN-A2E	Wi-Fi Module
PPC-174 Stand	Stand for PPC series (double acting hinges)
PPC-STAND-A1E	Stand for PPC Series (single acting hinge)
2070012905	Image WES7P 32-bit Multi V4.12 PPC-4151W/4211W-P
2070013051	Image WES7P 64-bit Multi V4.12 PPC-4151W/4211W-P
PPC-FUSB-A1E	Front USB Module

I/O Appearance



- A. Mic-in
- B. 4 x USB 3.0
- C. VGA Port
- D. 4 x RS-232
- E. DC Inlet
- F. Power Button
- G. Ground Line
- H. 1 x RS-422/485
- I. Display Port
- J. 2 x 10/100/1000 Mbps Ethernet
- K. Line Out