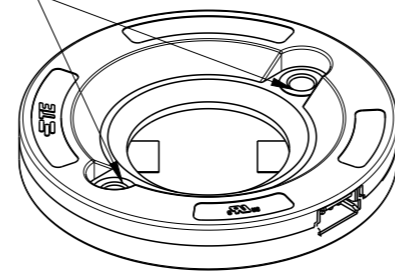
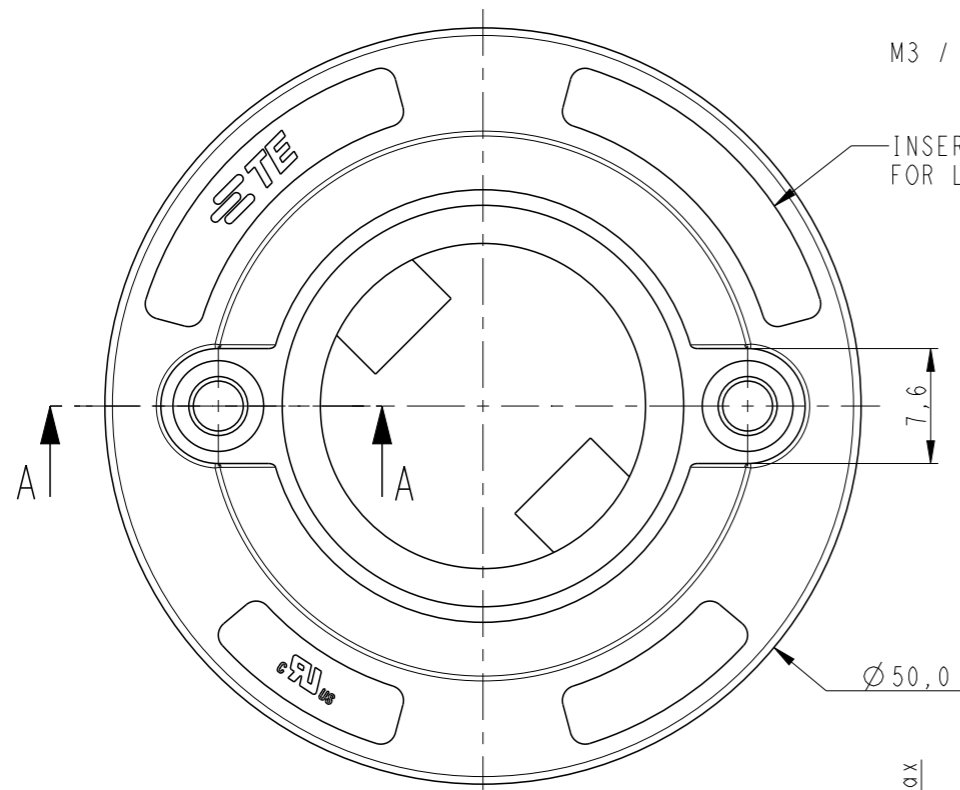


REVISIONS

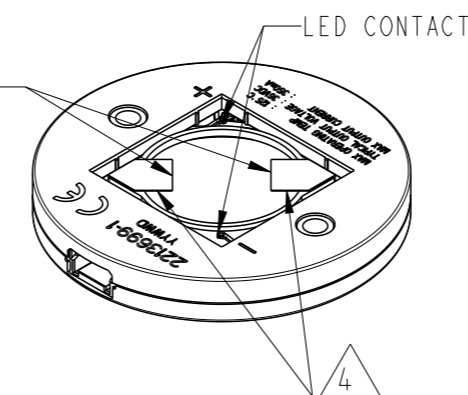
P	LTR	DESCRIPTION	DATE	DWN	APVD
B1		REVISED PER ECR-18-001081	23JAN2018	RS	OL

NOTES:

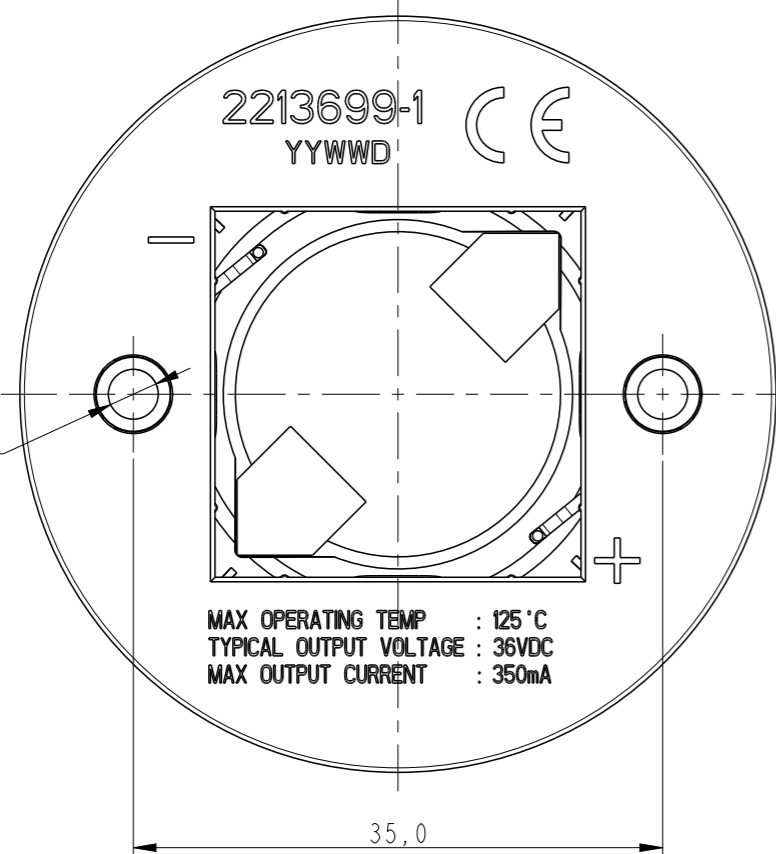
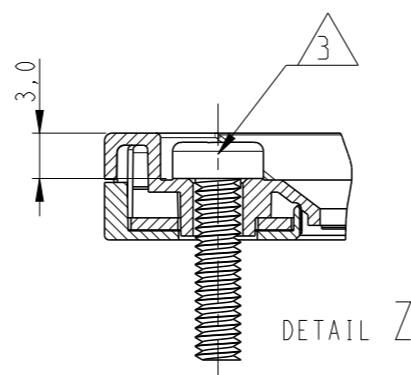
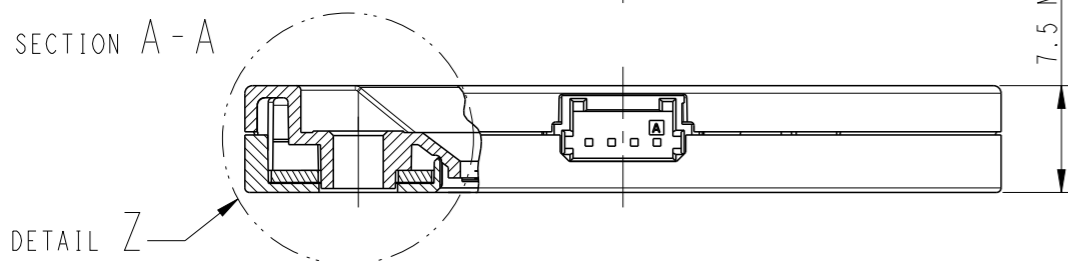
- MATERIALS:
HOUSING: GLASS FILLED PBT, HALOGEN FREE FLAME RETARDANT
COLOR : NATURAL
CONTACTS: GOLD PLATED COPPER ALLOY
- PRODUCT COMPLIES WITH RESTRICTION ON HAZARDOUS SUBSTANCES DIRECTIVE 2011/65/EU
- SCREW TO BE USED - PAN HEAD M3, #4-40, LENGTH 12mm MIN. RECOMMENDED SCREW TORQUE: 0.4 - 0.6 Nm
- LED RETENTION ON 2 CORNERS WITH DOUBLE SIDED ADHESIVE TAPE.
- MATING CONNECTOR TE PART NO: 353908-4 OR 6-353908-4
- DIMENSIONS SHOWN ARE IN MATED POSITION WITH LED
- SEE SHEET 3 FOR RECOMMENDED PIN LAYOUT & ADDITIONAL INFORMATION
- ELECTRICAL RATINGS:
- USE WITH A 48V DC CONSTANT VOLTAGE CLASS 2 POWER SUPPLY, ±10% TOLERANCE
- LED FORWARD VOLTAGE HAVE THE FOLLOWING RANGE: 25 - 41VDC



REMOVE RELEASE LINER BEFORE ASSEMBLING LED



SECTION A-A



MAX OPERATING TEMP : 125°C
 TYPICAL OUTPUT VOLTAGE : 36VDC
 MAX OUTPUT CURRENT : 350mA

PRODUCT DATA SHEET 1-1773935-6
 FOR ADDITIONAL INFORMATION

CURRENT (mA)	LED TYPE	DESCRIPTION	WEIGHT (g)	PART NO
1050	16x19	ON/OFF, 1.05A, 16x19	9.48	3-2213699-4
	19x19	ON/OFF, 1.05A, 19x19	9.38	3-2213699-3
	20x24	ON/OFF, 1.05A, 20x24	9.33	3-2213699-2
	24x24	ON/OFF, 1.05A, 24x24	9.09	3-2213699-1
700	16x19	ON/OFF, 0.7A, 16x19	9.48	2-2213699-4
	19x19	ON/OFF, 0.7A, 19x19	9.38	2-2213699-3
	20x24	ON/OFF, 0.7A, 20x24	9.33	2-2213699-2
	24x24	ON/OFF, 0.7A, 24x24	9.09	2-2213699-1
500	16x19	ON/OFF, 0.5A, 16x19	9.48	1-2213699-4
	19x19	ON/OFF, 0.5A, 19x19	9.38	1-2213699-3
	20x24	ON/OFF, 0.5A, 20x24	9.33	1-2213699-2
	24x24	ON/OFF, 0.5A, 24x24	9.09	1-2213699-1
350	16x19	ON/OFF, 0.35A, 16x19	9.48	2213699-4
	19x19	ON/OFF, 0.35A, 19x19	9.38	2213699-3
	20x24	ON/OFF, 0.35A, 20x24	9.33	2213699-2
	24x24	ON/OFF, 0.35A, 24x24	9.09	2213699-1

THIS DRAWING IS A CONTROLLED DOCUMENT.

DIMENSIONS: mm	TOLERANCES UNLESS OTHERWISE SPECIFIED:
	0 PLC ±-
	1 PLC ±0.2
	2 PLC ±0.1
	3 PLC ±-
	4 PLC ±-
	ANGLES ±-
MATERIAL SEE NOTES	FINISH -

DWN	27OCT2016
CHK	SUBHASH.M
CHK	16FEB2017
APVD	O.LEIJNSE
APVD	12APR2017
PRODUCT SPEC	108-133082
APPLICATION SPEC	114-133082
WEIGHT	-
CUSTOMER DRAWING	

STE TE Connectivity

NAME: LUMAWISE DRIVE TYPE Z50 ON-OFF VERSION

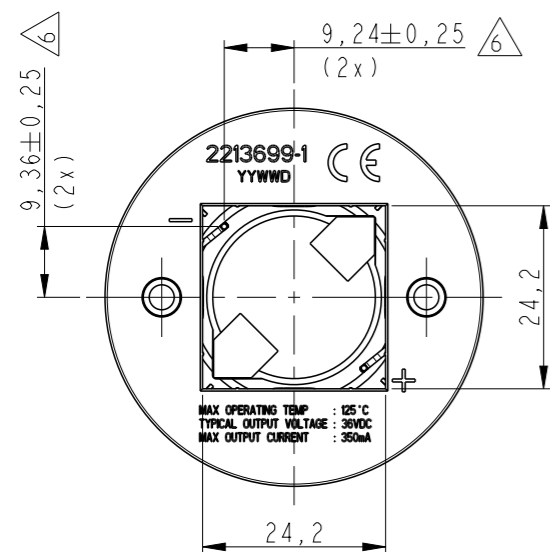
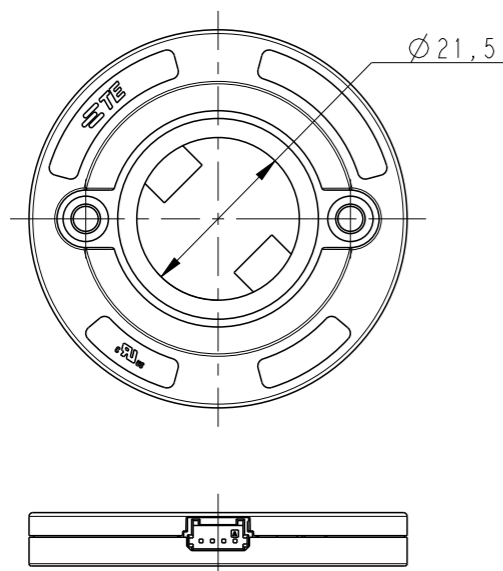
SIZE	CAGE CODE	DRAWING NO	RESTRICTED TO
A3	00779	C-2213699	-

SCALE: 2:1 SHEET: 1 OF 4 REV: B1

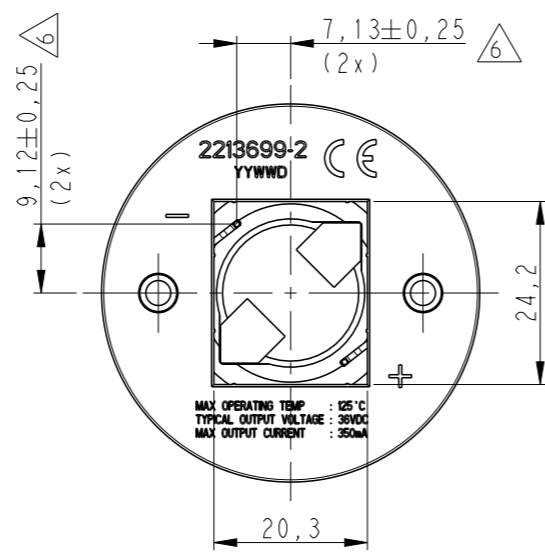
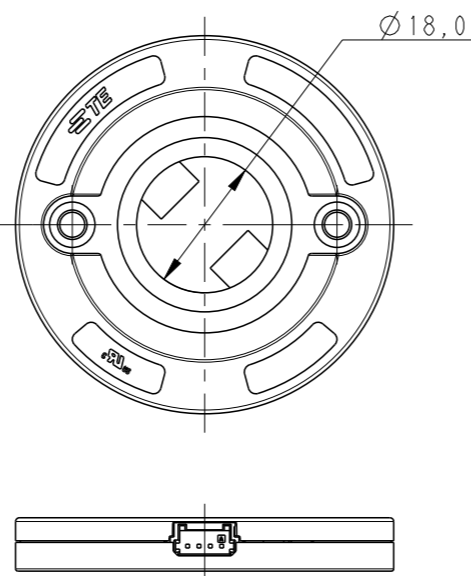
REVISIONS

P	LTR	DESCRIPTION	DATE	DWN	APVD

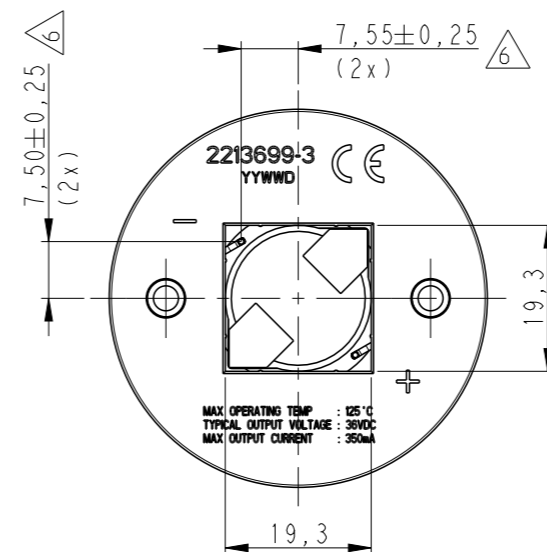
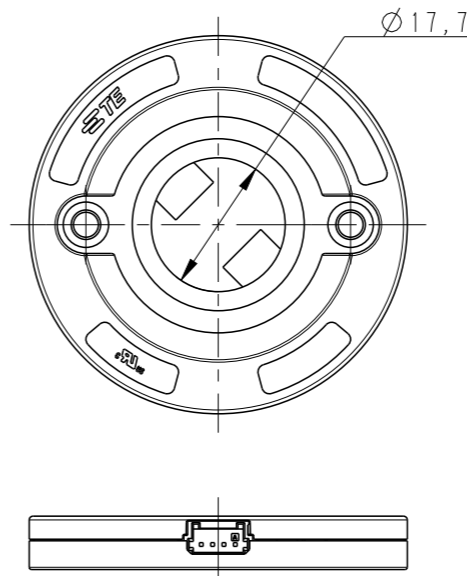
AS SHOWN 2213699-1
SCALE 1:1



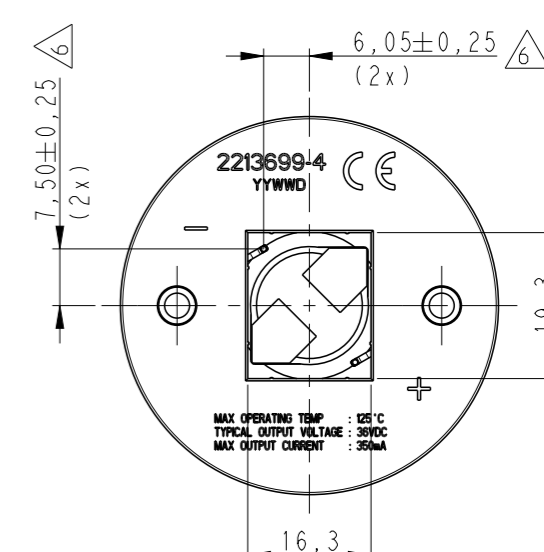
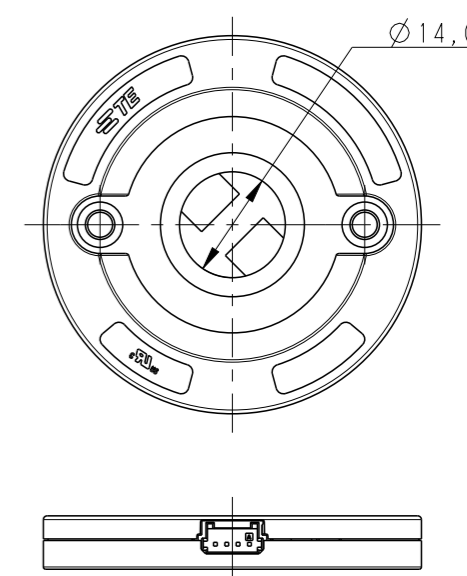
AS SHOWN 2213699-2
SCALE 1:1



AS SHOWN 2213699-3
SCALE 1:1



AS SHOWN 2213699-4
SCALE 1:1



THIS DRAWING IS A CONTROLLED DOCUMENT.

DIMENSIONS: mm	TOLERANCES UNLESS OTHERWISE SPECIFIED:
	0 PLC ±-
	1 PLC ±0.2
	2 PLC ±0.1
	3 PLC ±-
	4 PLC ±-
	ANGLES ±-
MATERIAL SEE NOTES	FINISH -

DWN	SUBHASH.M	27OCT2016
CHK	O.LEIJNSE	16FEB2017
APVD	O.LEIJNSE	12APR2017
PRODUCT SPEC	108-133082	
APPLICATION SPEC	114-133082	
WEIGHT	-	
CUSTOMER DRAWING		

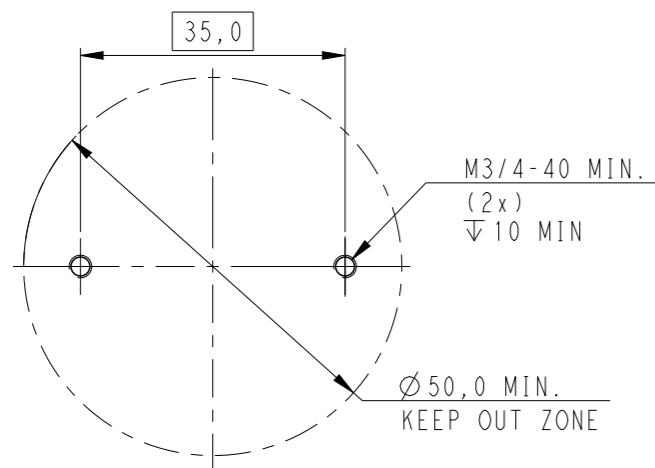


NAME LUMAWISE DRIVE TYPE Z50 ON-OFF VERSION			
SIZE A3	CAGE CODE 00779	DRAWING NO C-2213699	RESTRICTED TO -
SCALE 3:2		SHEET 2 OF 4	REV B1

REVISIONS

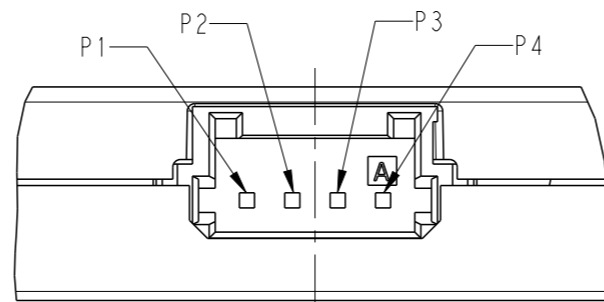
P	LTR	DESCRIPTION	DATE	DWN	APVD

RECOMMENDED DRILLING HOLE PATTERN



PIN LAYOUT

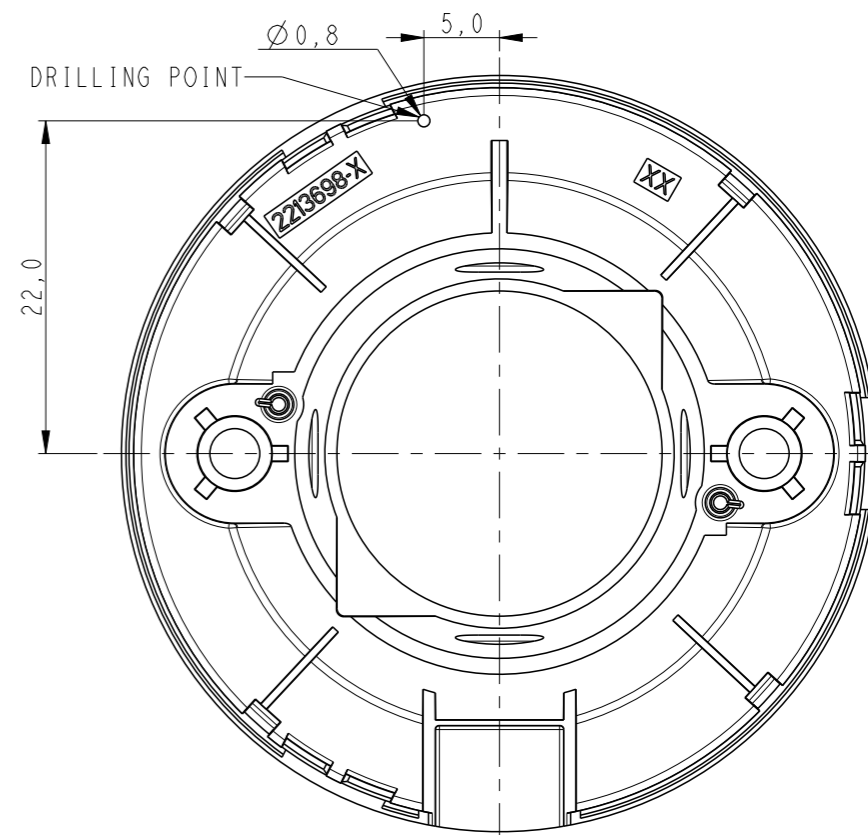
SCALE 4:1



P1	DO NOT USE
P2	GROUND
P3	48VIN (+)
P4	48VIN (-) GND

DRILLING LOCATION FOR Tc TESTING

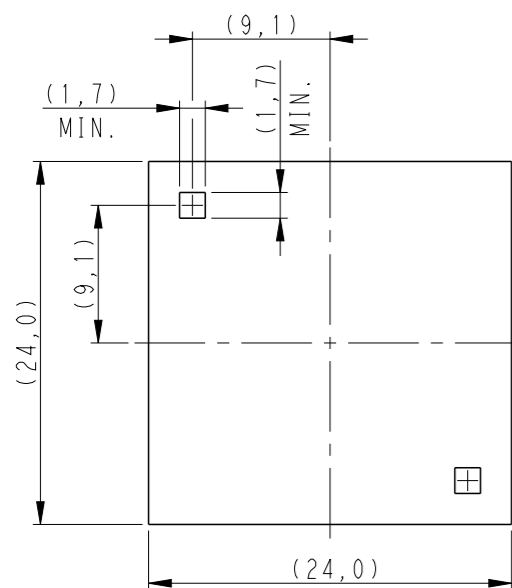
ONLY TOP COVER SHOWN



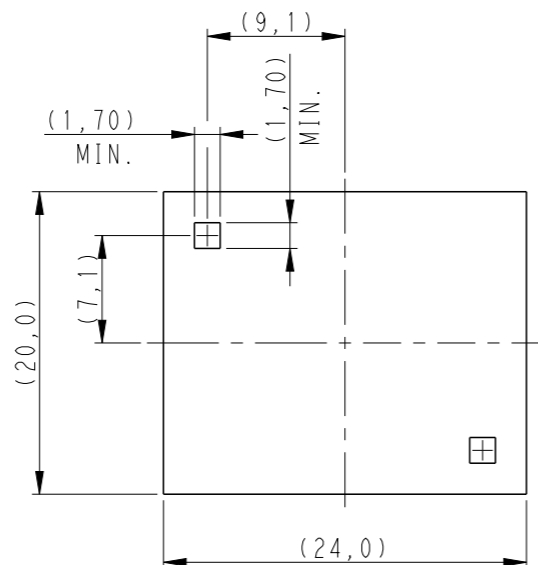
NOMINAL LED INFO:

THE SKETCH BELOW IS SHOWING THE ZHAGA BOOK 12 COB DIMENSIONS TO MATCH WITH THE LUMAWISE DRIVE TYPE Z50 LED HOLDER

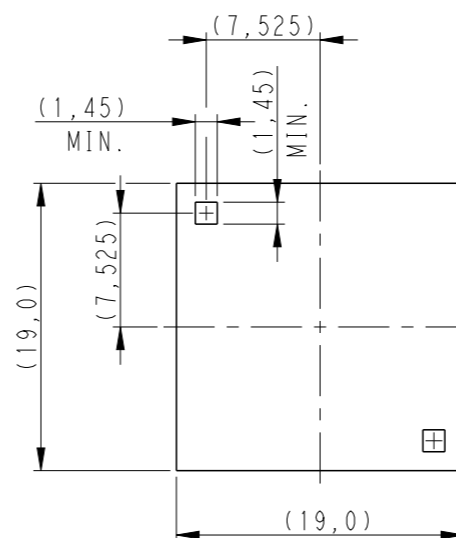
24x24 LAYOUT



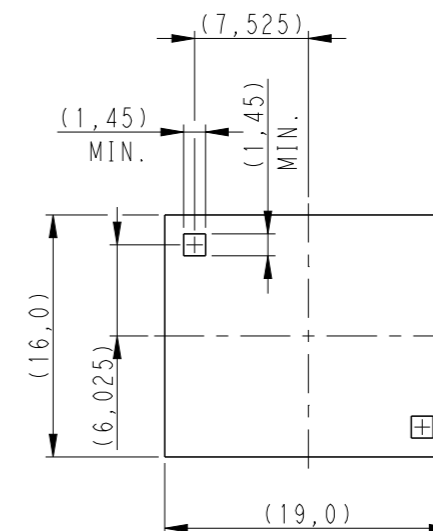
20x24 LAYOUT



19x19 LAYOUT



16x19 LAYOUT



THIS DRAWING IS A CONTROLLED DOCUMENT.

DWN 27OCT2016

SUBHASH.M

CHK 16FEB2017

O.LEIJNSE

APVD 12APR2017

O.LEIJNSE

PRODUCT SPEC

108-133082

APPLICATION SPEC

114-133082

WEIGHT

-

CUSTOMER DRAWING



TE Connectivity

NAME LUMAWISE DRIVE TYPE Z50 ON-OFF VERSION

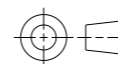
SIZE CAGE CODE DRAWING NO RESTRICTED TO

A3 00779 C-2213699 -

SCALE 2:1 SHEET 3 OF 4 REV B1

DIMENSIONS:

mm



TOLERANCES UNLESS OTHERWISE SPECIFIED:

0 PLC	±-
1 PLC	±0.2
2 PLC	±0.1
3 PLC	±-
4 PLC	±-
ANGLES	±-
FINISH	-
	-

MATERIAL SEE NOTES

THIS DRAWING IS UNPUBLISHED.

RELEASED FOR PUBLICATION

2017

© COPYRIGHT 2017 BY -


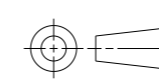
ALL RIGHTS RESERVED.

REVISIONS

P	LTR	DESCRIPTION	DATE	DWN	APVD

L2C5-xxxx1202E0900; L2C5-xxxx1203E0900 1202s; 120206xCx; 1202CRSP; 1203CRSP	LUMILEDS	16x19
NVCWL024Z; NFCWL060B-V1; NFCLL060B-V1; NFCWL036B-V1M3	NICHIA	
LC040C	SAMSUNG	
BXRH-40E8000-J-23; BXRE-xxxxxxx-x-7x	BRIDGELUX	19x19
PB16H; PB16U; PB19H; PB19U; PB26U; PB26H	LEXTAR	
CLU038-1208C4; CLU721-1206C4; CLU710-1204C1; CLU711-1204C1; CLU034-1205C4; CLU036-1205C1; CLU032-1205A5-303M1A2; CLU720-1206C1; CLL030-1212A1-50KL1A1	CITIZEN	
2PHE20CW27P34001/2PHE30CW27P34001 2PHE20CW38P34001/2PHE30CW38P34002 HM CRI80 Series; HM CRI90 Series SL Series	EDISON OPTO	
EA1919 36V/26W Series	EVERLIGHT	
CHM-11/CXM11; CXM14/CHM14; CLM-14 Gen 3; CXM-11-XH00	LUMINUS	
Soleriq 13 Gen 2 Soleriq 15	OSRAM	
DMS124***G; DMC124/125***F; DMS125/126/128***G; DMC128***F; DMS099***F	PANASONIC	
SDW02F1C; SDWx3F1C	SEOUL	
SLE-G5-LES15 SLE-G5-LES17	TRIDONIC	
LC016/19/26D; LC019D; LC026D	SAMSUNG	20x24
LHC1-3070-1205; L2C5-xxxx-1204 LHC1-xxxx1204; 1204CRSP; 1205CRSP; 1208CRSP; 1204; 1205; 1208	LUMILEDS	
EAHP2024	EVERLIGHT	
GW6TGBJC50C; GW5DGC**M04	SHARP	
BXRE-xxxxxxx-x-7x	BRIDGELUX	24x24
Soleriq S19 GW KAHLB2.CM	OSRAM	
LED DESCRIPTION	MANUFACTURE NAME	LED TYPE

LEDs COMPATIBILITY

THIS DRAWING IS A CONTROLLED DOCUMENT.		DWN SUBHASH.M 27OCT2016	 TE Connectivity		
DIMENSIONS: mm		CHK O. LEIJNSE 16FEB2017			
TOLERANCES UNLESS OTHERWISE SPECIFIED:		APVD O. LEIJNSE 12APR2017	NAME LUMAWISE DRIVE TYPE Z50 ON-OFF VERSION		
		PRODUCT SPEC 108-133082	RESTRICTED TO		
MATERIAL SEE NOTES		APPLICATION SPEC 114-133082	SIZE A3	CAGE CODE 00779	DRAWING NO C-2213699
FINISH		WEIGHT	SCALE 2:1		
-		-	SHEET 4 OF 4		
-		CUSTOMER DRAWING	REV B1		