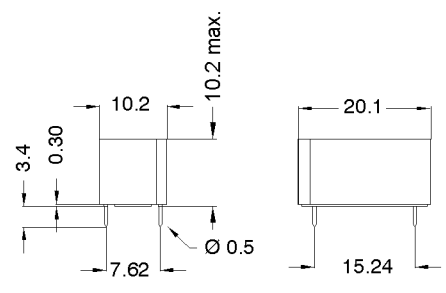


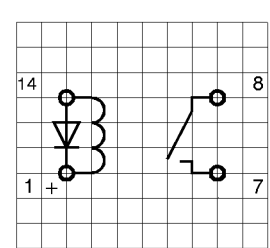
Preliminary Datasheet

DIMENSIONS (mm)

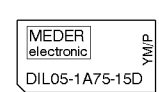


Pins: Ø0.5 mm
 L = 3.4±0.3 mm
 Material: Cu-alloy tinned

LAYOUT (15D)
 pitch 2.54 mm/Top view



MARKING



MEDER-Label
 Type
 Production code,
 EN60062/Factory code

tolerances according to DIN ISO 2768 m

Coil Data at 20 °C	Conditions	Min	Typ	Max	Unit
Coil resistance		405	450	495	Ohm
Coil voltage			5		VDC
Rated power			55		mW
Coil current			999		mA
Thermal resistance	max. Relay temperature = operating temperature + self heating		999		K/W
Inductance			999		mH
Pull-In voltage				3,5	VDC
Drop-Out voltage		0,75			VDC

Contact data 75	Conditions	Min	Typ	Max	Unit
Contact rating	Any DC combination of V & A not to exceed their individual max.'s			10	W
Switching voltage (<31 AT)	DC or Peak AC			500	V
Switching current	DC or Peak AC			0,5	A
Carry current	DC or Peak AC			1	A
Contact resistance static	Measured with 40% overdrive Start Value			200	mOhm
Insulation resistance	RH <45 %, 100 V test voltage	10			TOhm
Breakdown voltage (<20 AT)	according to IEC 255-5	600			kV DC
Operate time incl. bounce	measured with 40% overdrive			0,5	ms
Release time	measured with no coil excitation			0,1	ms
Capacity	@ 10 kHz across open switch		0,4		pF

Special Product Data	Conditions	Min	Typ	Max	Unit
Number of contacts			1		
Contact - form			A - NO		
Dielectric Strength Coil/Contact	according to IEC 255-5	4,25			kV DC
Insulation resistance Coil/Contact	RH <45%, 200 VDC test voltage	10			TOhm
Capacity Coil/Contact	@ 10 kHz		999		pF
Case colour					
Housing material			PBT glass fibre reinforced		
Sealing compound			Polyurethan		
Connection pins			Copper alloy tin plated		
Magnetic Shield					
Reach / RoHS conformity			yes		
Approval			UL File No. NRNT2.E156887		
Approval			UL File No. NRNT8.E156887		

Modifications in the sense of technical progress are reserved

Designed at: 10.06.08 Designed by: MPOTUZAK Approval at: 17.06.08 Approval by: DSTASTNY
 Last Change at: 30.09.09 Last Change by: SERVICES_EUROPE Approval at: Approval by:

Version: 02



Products for tomorrow...

Europe: +49 / 7731 8399 0 | Email: info@meder.com
USA: +1 / 508 295 0771 | Email: salesusa@meder.com
Asia: +852 / 2955 1682 | Email: salesasia@meder.com

Item No.:
1305175115
Item:
DIL05-1A75-15D

Preliminary Datasheet

Environmental data	Conditions	Min	Typ	Max	Unit
Shock	1/2 sine wave duration 11ms			50	g
Vibration	from 10 - 2000 Hz			20	g
Operating temperature		-20		70	°C
Storage temperature		-25		85	°C
Soldering temperature	wave soldering max. 5 sec.			260	°C
Washability					fully sealed

General data	Conditions	Min	Typ	Max	Unit
Total weight			999		g
Packaging					

Modifications in the sense of technical progress are reserved

Designed at: 10.06.08 Designed by: MPOTUZAK Approval at: 17.06.08 Approval by: DSTASTNY
Last Change at: 30.09.09 Last Change by: SERVICES_EUROPE Approval at: Approval by:

Version: 02